

NCE N-Channel Super Trench III Power MOSFET

Description

The series of devices uses **Super Trench III** technology that is uniquely optimized to provide the most efficient high frequency switching performance. Both conduction and switching power losses are minimized due to an extremely low combination of $R_{DS(ON)}$ and Q_g . This device is ideal for high-frequency switching and synchronous rectification.

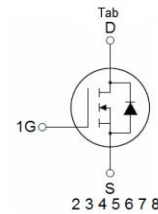
Application

- DC/DC Converter
- Ideal for high-frequency switching and synchronous rectification

General Features

- $V_{DS} = 150V, I_D = 265A$
 $R_{DS(ON)} = 3.3m\Omega$, typical @ $V_{GS} = 10V$
- Excellent gate charge x $R_{DS(on)}$ product(FOM)
- Very low on-resistance $R_{DS(on)}$
- 175 °C operating temperature
- Pb-free lead plating

100% UIS TESTED!
100% ΔVs TESTED!



Schematic Diagram

Package Marking and Ordering Information

Device Marking	Device	Device Package	Reel Size	Tape width	Quantity
NCEP040NH150LL	NCEP040NH150LL	TOLL	Ø330mm	24mm	2000 units

Absolute Maximum Ratings ($T_c = 25^\circ C$ unless otherwise noted)

Parameter	Symbol	Limit	Unit
Drain-Source Voltage	V_{DS}	150	V
Gate-Source Voltage	V_{GS}	±20	V
Drain Current-Continuous	I_D	265	A
Drain Current-Continuous($T_c = 100^\circ C$)	$I_D(100^\circ C)$	186	A
Pulsed Drain Current	I_{DM}	1060	A
Maximum Power Dissipation	P_D	618	W
Derating factor		4.0	W/°C
Single pulse avalanche energy ^(Note 1)	E_{AS}	1697	mJ
Operating Junction and Storage Temperature Range	T_J, T_{STG}	-55 To 175	°C

Thermal Characteristic

Thermal Resistance, Junction-to-Case	$R_{\theta JC}$	0.25	°C/W
--------------------------------------	-----------------	------	------

Electrical Characteristics (T_c=25°C unless otherwise noted)

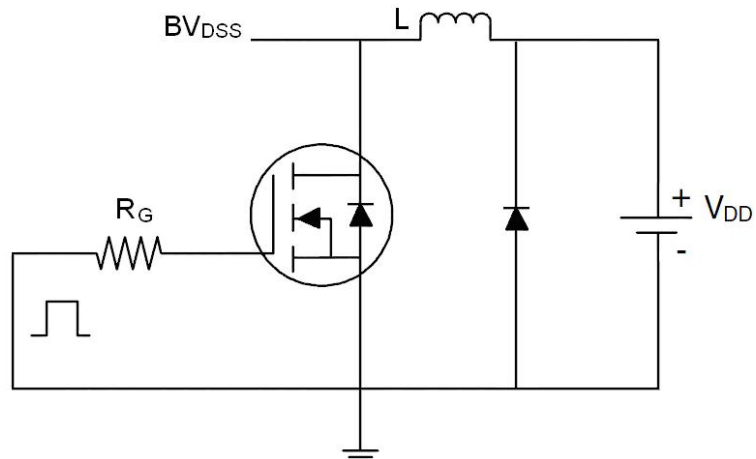
Parameter	Symbol	Condition	Min	Typ	Max	Unit
Off Characteristics						
Drain-Source Breakdown Voltage	BV _{DSS}	V _{GS} =0V I _D =250μA	150	-	-	V
Zero Gate Voltage Drain Current	I _{DSS}	V _{DS} =150V, V _{GS} =0V	-	-	1	μA
Gate-Body Leakage Current	I _{GSS}	V _{GS} =±20V, V _{DS} =0V	-	-	±100	nA
On Characteristics						
Gate Threshold Voltage	V _{GS(th)}	V _{DS} =V _{GS} , I _D =250μA	2.5	3.3	4.5	V
Drain-Source On-State Resistance	R _{DS(ON)}	V _{GS} =10V, I _D =20A	-	3.3	4.0	mΩ
Forward Transconductance	g _{FS}	V _{DS} =10V, I _D =40A	-	75	-	S
Dynamic Characteristics						
Input Capacitance	C _{iss}	V _{DS} =75V, V _{GS} =0V, F=1.0MHz	-	7150	-	PF
Output Capacitance	C _{oss}		-	2050	-	PF
Reverse Transfer Capacitance	C _{rss}		-	47	-	PF
Switching Characteristics (Note 2)						
Turn-on Delay Time	t _{d(on)}	V _{DD} =75V, I _D =75A V _{GS} =10V, R _G =4.7Ω	-	30	-	nS
Turn-on Rise Time	t _r		-	40	-	nS
Turn-Off Delay Time	t _{d(off)}		-	70	-	nS
Turn-Off Fall Time	t _f		-	15	-	nS
Total Gate Charge	Q _g	V _{DS} =75V, I _D =20A, V _{GS} =10V	-	106	-	nC
Gate-Source Charge	Q _{gs}		-	36	-	nC
Gate-Drain Charge	Q _{gd}		-	27	-	nC
Drain-Source Diode Characteristics						
Diode Forward Voltage	V _{SD}	V _{GS} =0V, I _F =20A	-	-	1.2	V
Diode Forward Current	I _S		-	-	265	A
Reverse Recovery Time	t _{rr}	T _J = 25°C, I _F = 100A	-	108	-	nS
Reverse Recovery Charge	Q _{rr}	di/dt = 100A/μs	-	270	-	nC

Notes:

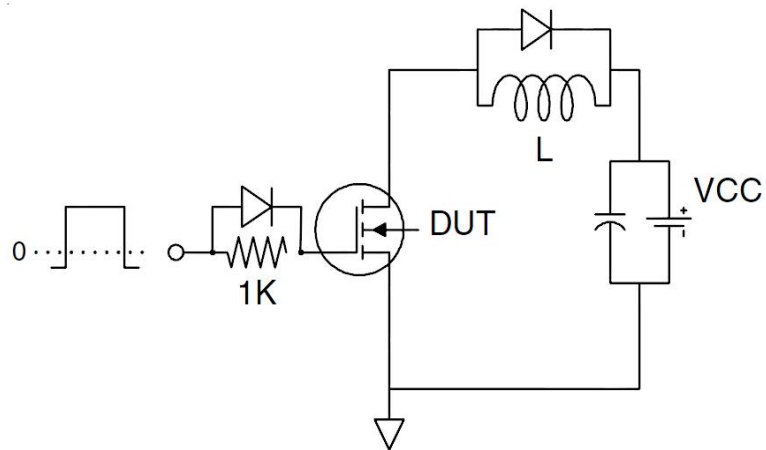
1. EAS condition : T_j=25°C, V_{DD}=50V, V_G=10V, L=0.5mH, R_g=25Ω
2. Guaranteed by design, not subject to production
3. These curves are based on the junction-to-case thermal impedance which is measured with the device mounted to a large heatsink, assuming a maximum junction temperature of T_J(MAX)=175°C. The SOA curve provides a single pulse rating.

Test Circuit

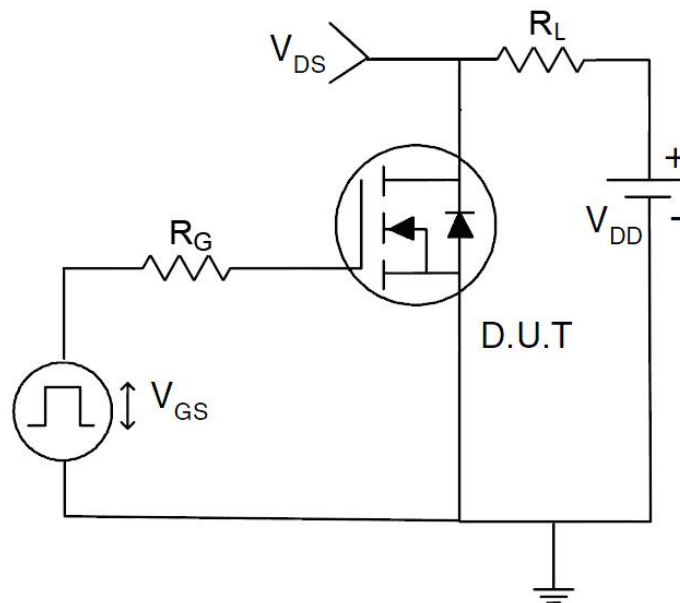
1) E_{AS} test Circuit



2) Gate charge test Circuit



3) Switch Time Test Circuit



Typical Electrical and Thermal Characteristics

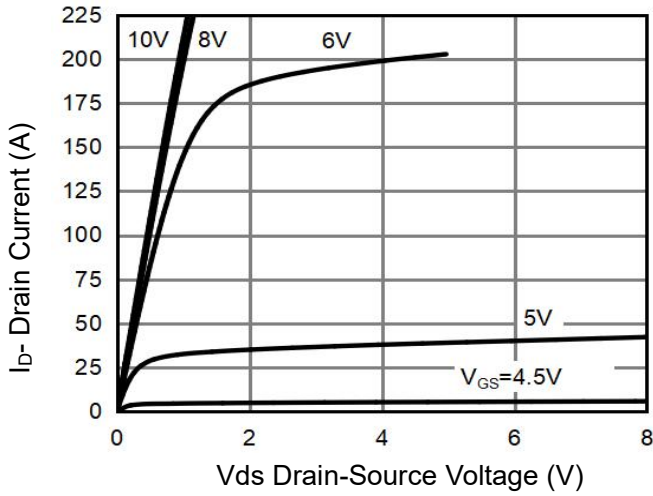


Figure 1 Output Characteristics

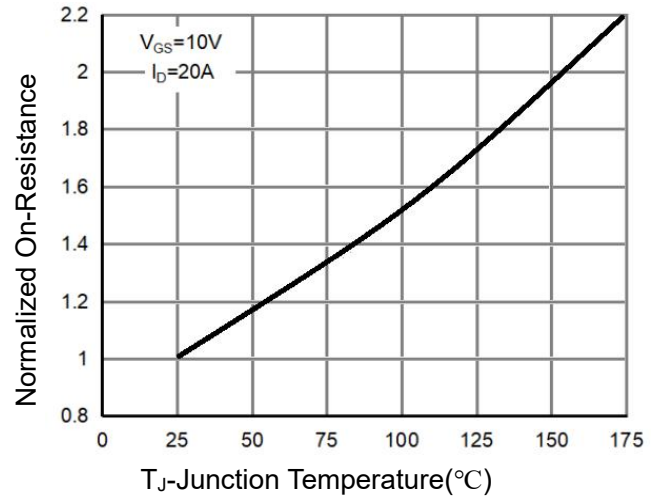


Figure 4 R_{dson} -Junction Temperature

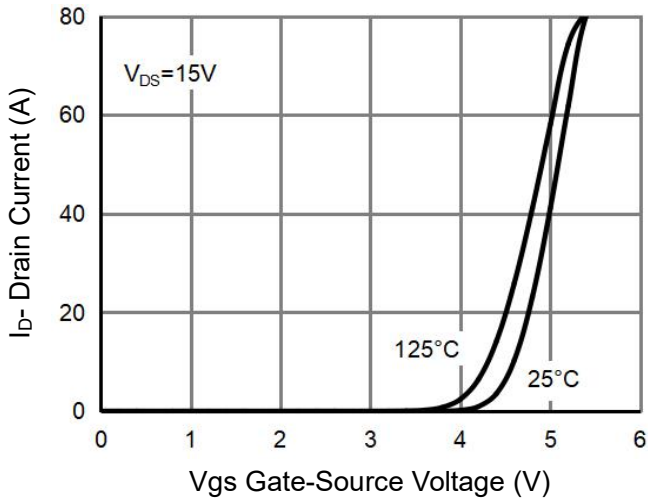


Figure 2 Transfer Characteristics

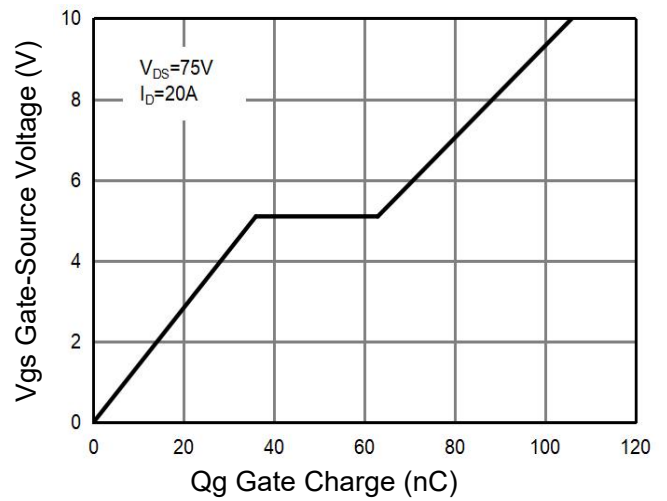


Figure 5 Gate Charge

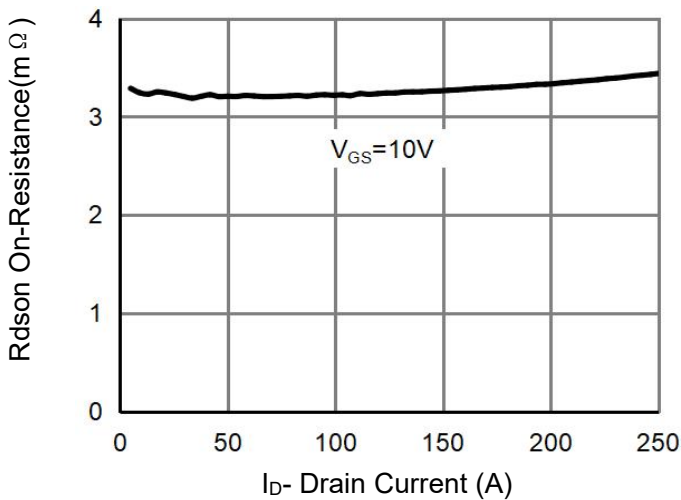


Figure 3 R_{dson} - Drain Current

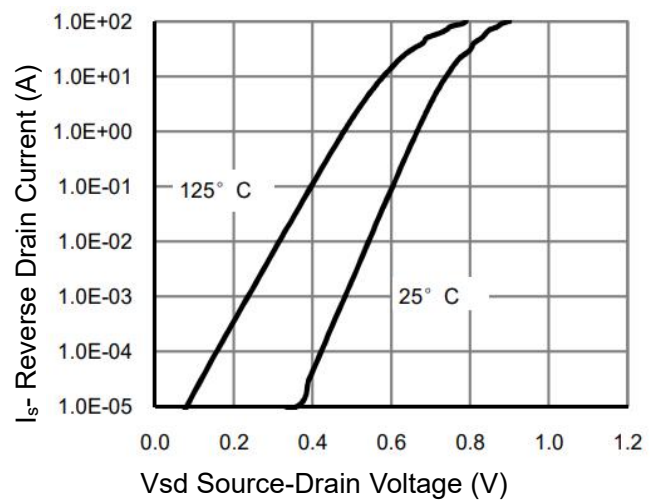


Figure 6 Source- Drain Diode Forward

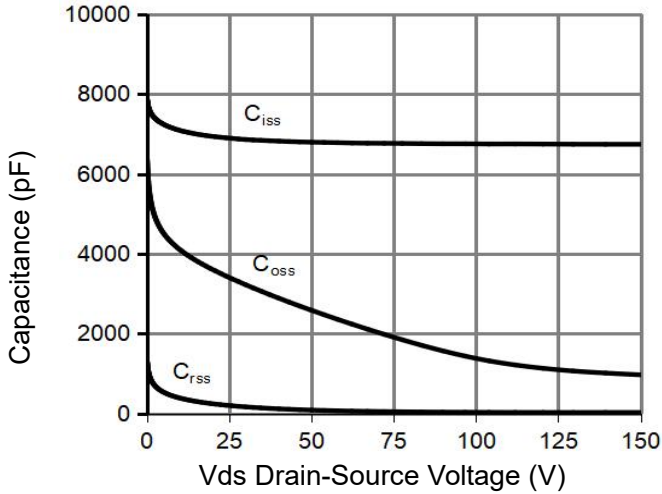


Figure 7 Capacitance vs Vds

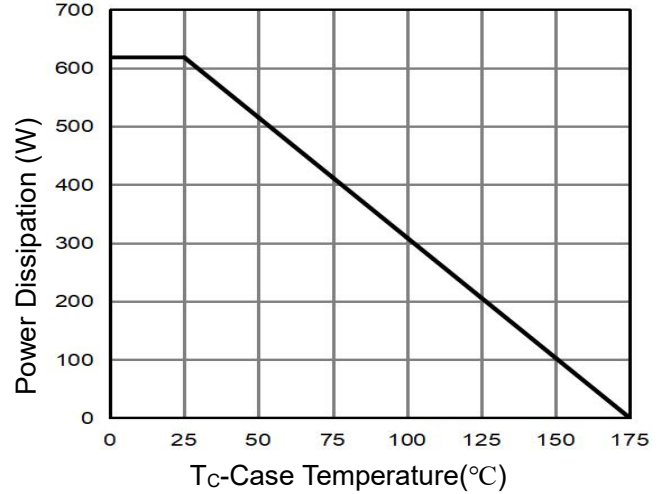


Figure 10 Power De-rating

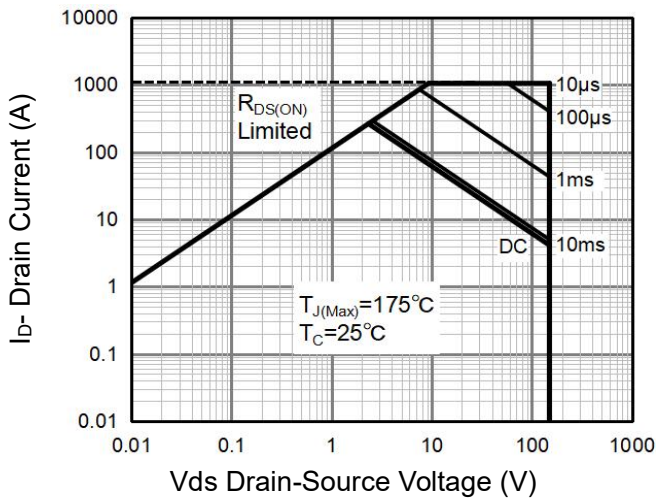


Figure 8 Safe Operation Area (Note3)

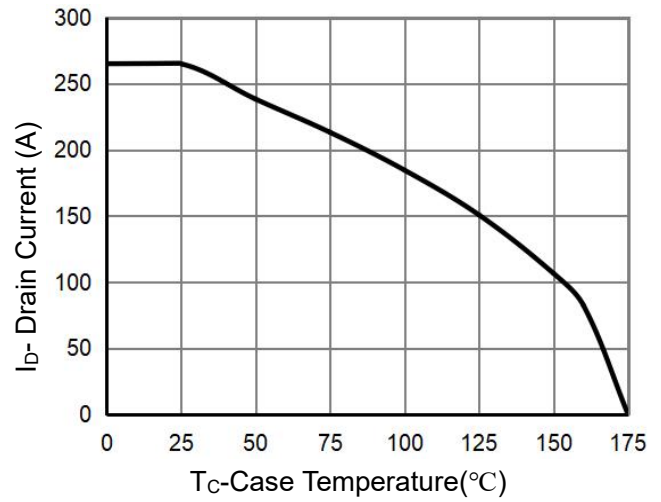


Figure 11 Current De-rating

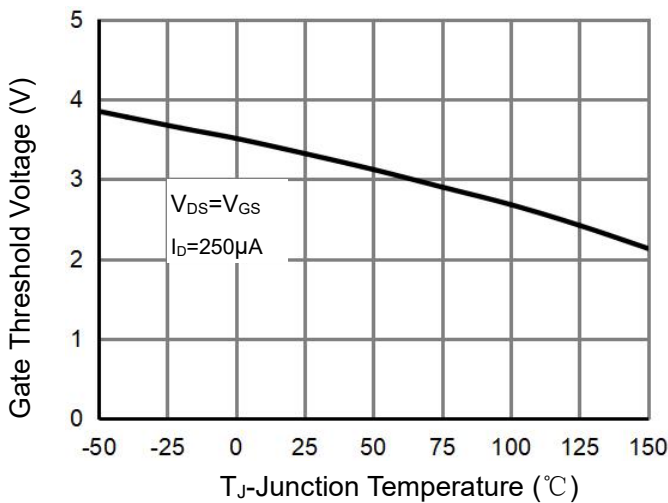


Figure 9 V_{GS(th)}-Junction Temperature

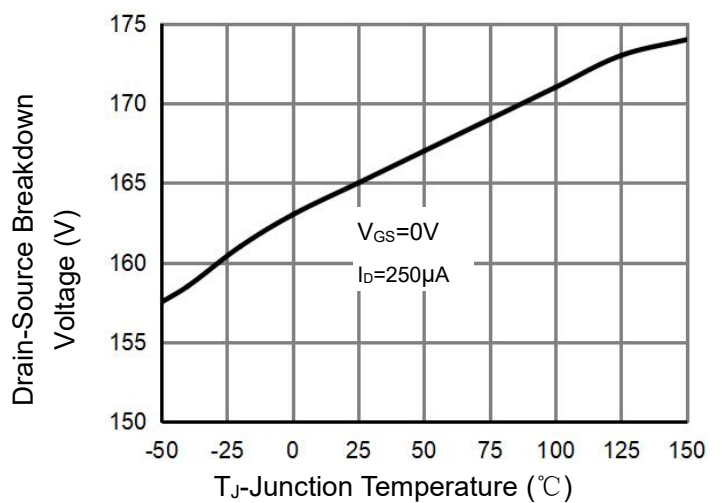


Figure 12 BV_{DSS}-Junction Temperature

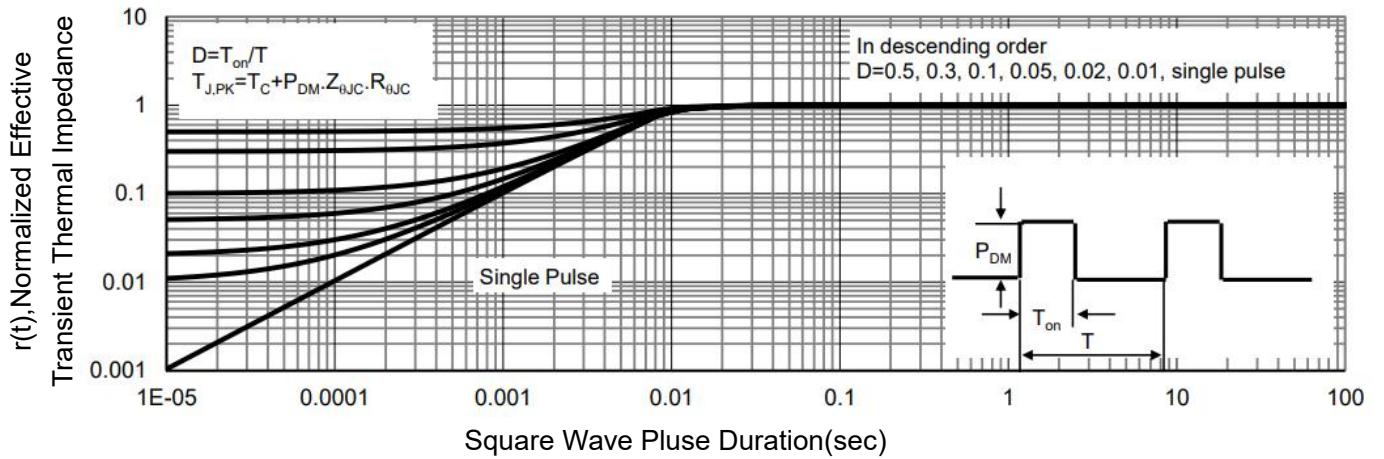
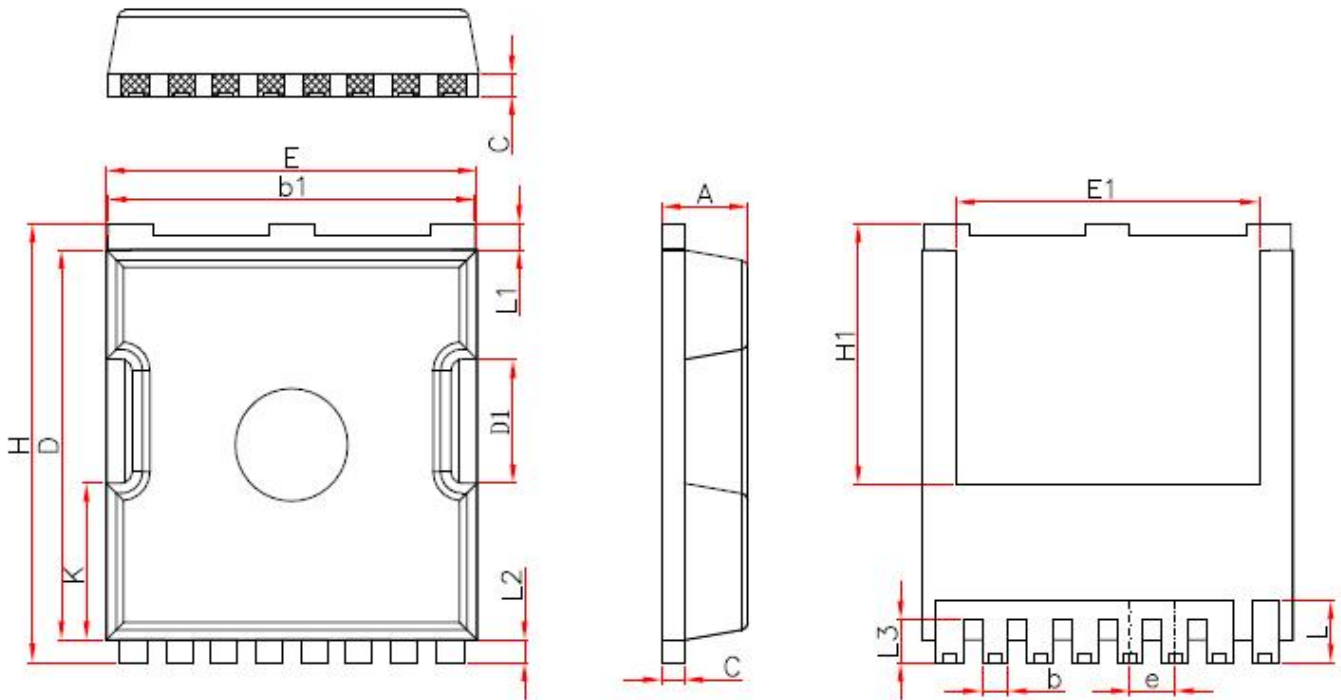


Figure 13 Normalized Maximum Transient Thermal Impedance

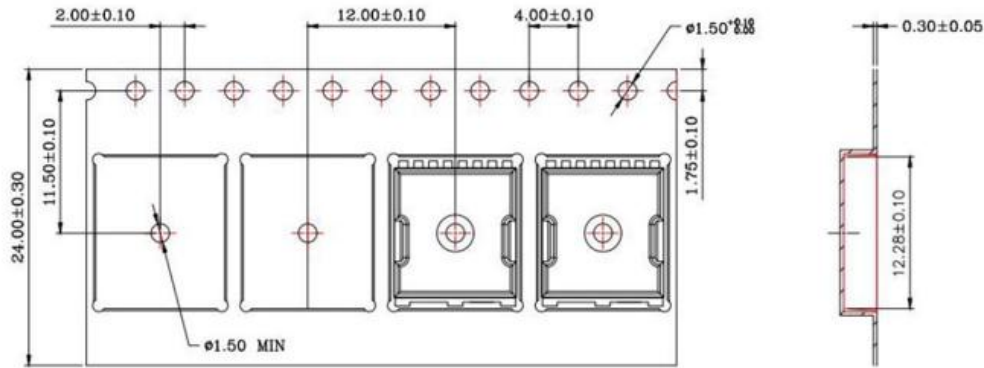
TOLL Package Information



Symbol	Millimeters		
	Min.	Nom.	Max.
A	2.20	2.30	2.40
b	0.65	0.75	0.85
b1	9.70	9.80	9.90
C	0.50	0.60	0.70
D	10.30	10.40	10.50
D1	3.15	3.3	3.45
E	9.70	9.90	10.10
E1	8.00	8.10	8.20
e	1.10	1.20	1.30
H	11.6	11.7	11.8
H1	6.85	6.95	7.05
K	4.08	4.18	4.28
L	1.60	1.65	2.10
L1	0.60	0.70	0.80
L2	0.50	0.60	0.70
L3	1.05	1.20	1.30

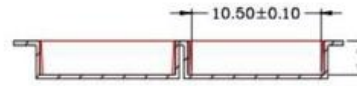
TOLL Tape and Reel

一、载带图纸:



Notes:

1. All dimensions are in mm.
2. Material: Black Conductive Polystyrene Alloy
3. 10 sprocket hole pitch cumulative tolerance $\pm 0.20\text{mm}$.
4. Carrier camber is within 1 mm in 250mm.
5. Packing length per 19" reel: 196.0 Meters.
6. There must not be foreign body adhesion and the state of the surface must be excellent.
7. Surface Resistance $1 \times 10^5 \sim 1 \times 10^{11} \text{ OHMS/SQ}$



二、标签(标签尺寸: 100*60mm或100*50mm) 示意图:

	无锡新洁能股份有限公司 WuXi NCE Power Co., Ltd	
PART NO:	NCEP040NH150LL	
PACKAGE:	TOLL	
MARKING:	NCEP040NH150LL	
QUANTITY:	2000	
DATE CODE:	1CKD5	
LOT NO:	FA56-3235	
CODE:		



说明: 以上标签内容仅作格式, 品种会根据实际印章品名打印。

三、包装信息表(满箱信息)

封装形式	包装方式	盘尺寸	只/盘	盘/内盒	只/内盒	内盒/箱	只/箱
TOLL	编带	13寸	2000	1	2000	5	10000

四、包装流程图

载带外绕红色海绵条
和黑色保护带；
干燥剂。



外箱尺寸445*355*365 mm



内盒尺寸353*337*50 mm

出货外箱上下面均以“工”字形封口

Revision History

Revision	Date	Subjects
V1.0	2023.11.02	Product data sheet
V2.0	2024.03.05	Update Current De-rating $R_{DS(ON)}$ Typ Value
V2.1	20.24.07.04	Tape and Reel

Attention:

- Any and all NCE power products described or contained herein do not have specifications that can handle applications that require extremely high levels of reliability, such as life-support systems, aircraft's control systems, or other applications whose failure can be reasonably expected to result in serious physical and/or material damage. Consult with your NCE power representative nearest you before using any NCE power products described or contained herein in such applications.
- NCE power assumes no responsibility for equipment failures that result from using products at values that exceed, even momentarily, rated values (such as maximum ratings, operating condition ranges, or other parameters) listed in products specifications of any and all NCE power products described or contained herein.
- Specifications of any and all NCE power products described or contained herein stipulate the performance, characteristics, and functions of the described products in the independent state, and are not guarantees of the performance, characteristics, and functions of the described products as mounted in the customer's products or equipment. To verify symptoms and states that cannot be evaluated in an independent device, the customer should always evaluate and test devices mounted in the customer's products or equipment.
- NCE power CO.,LTD. strives to supply high-quality high-reliability products. However, any and all semiconductor products fail with some probability. It is possible that these probabilistic failures could give rise to accidents or events that could endanger human lives, that could give rise to smoke or fire, or that could cause damage to other property. When designing equipment, adopt safety measures so that these kinds of accidents or events cannot occur. Such measures include but are not limited to protective circuits and error prevention circuits for safe design, redundant design, and structural design.
- In the event that any or all NCE power products(including technical data, services) described or contained herein are controlled under any of applicable local export control laws and regulations, such products must not be exported without obtaining the export license from the authorities concerned in accordance with the above law.
- No part of this publication may be reproduced or transmitted in any form or by any means, electronic or mechanical, including photocopying and recording, or any information storage or retrieval system, or otherwise, without the prior written permission of NCE power CO.,LTD.
- Information (including circuit diagrams and circuit parameters) herein is for example only ; it is not guaranteed for volume production. NCE power believes information herein is accurate and reliable, but no guarantees are made or implied regarding its use or any infringements of intellectual property rights or other rights of third parties.
- Any and all information described or contained herein are subject to change without notice due to product/technology improvement, etc. When designing equipment, refer to the "Delivery Specification" for the NCE power product that you intend to use.
- This catalog provides information as of Nov.2023. Specifications and information herein are subject to change without notice.