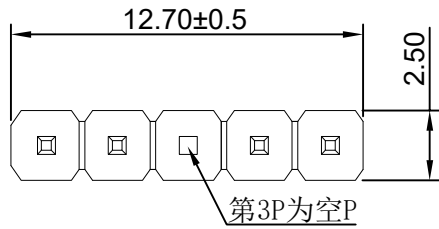


# RoHS

REV	ECN NO.	DESCRIPTION	DESIGN	APPROVAL	DATE
A1	NEW	新版发行			2026.04.07

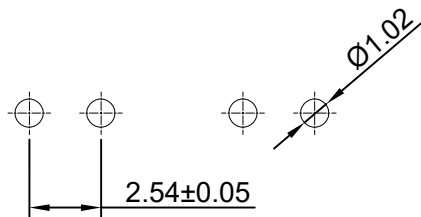
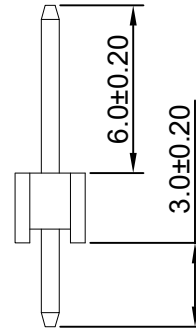
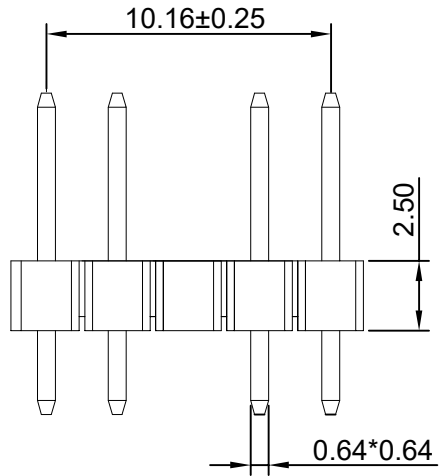


### SPECIFICATIONS

- Current rating: 3A
- Temperature range: -40°C ~ +105°C
- Insulation resistance: 1000MΩ Min.
- Withstanding voltage: 500V AC/ minute.
- Contact resistance: 20mΩ Max.

### Material:

Insulator Material: PA6T (UL 94V-0) Black  
 Contact Material: Brass  
 Plating: Matte Tin or gold plated over Nickel  
 Mate with XFCN PM254 Single row series



## P.C.B Hole Layout

X.±0.50	X.°±
.X±0.25	.X°±
.XX±0.15	.XX°±
.XXX±0.10	.XXX°±
UNITS:	mm

PART NO:		PZ254V-11-05-K3		<b>XFCN</b> 兴飞连接器	
TITLE:		2.54mm Pin Header Connectors		0769-82001899	
				www.xfconn.com	
UNITS:		mm		DWG NO:	
APPD	Chen ZhiQiang	VIEW			
CHKD	Liu Wei	SCALE	SHEET	REV	
DATE	2026.04.07	NONE	1/1	A1	

THESE DRAWINGS AND SPECIFICATIONS ARE THE PROPERTY OF XFCN AND SHALL NOT BE REPRODUCED, COPIED OR CUED IN ANY MANNER WITHOUT THE PRIOR WRITTEN CONSENT OF XFCN