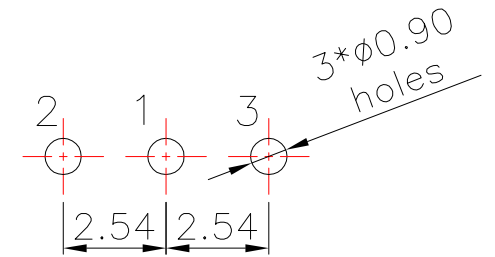
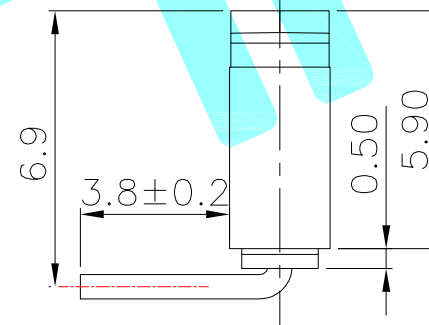
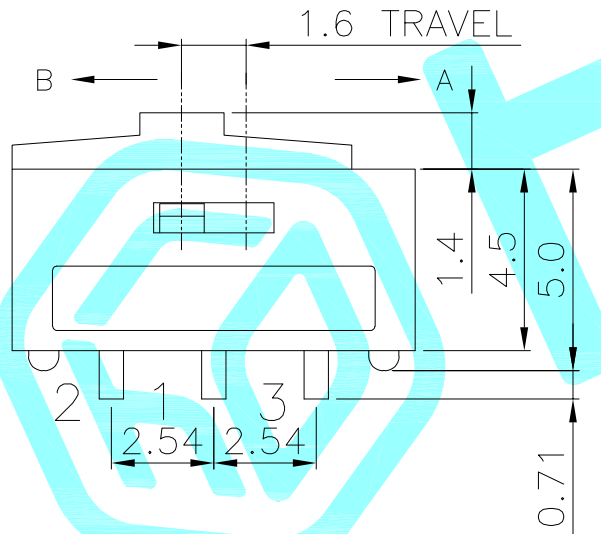
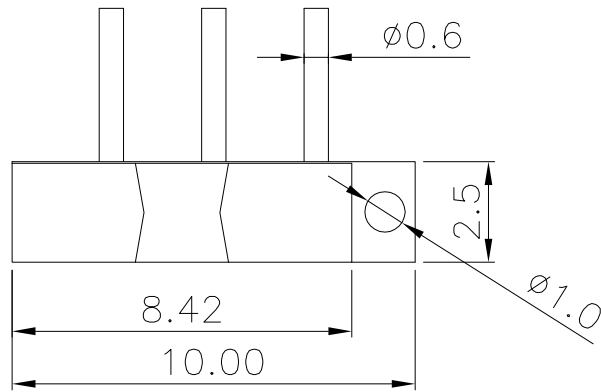
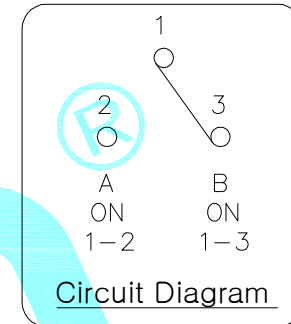


Typical Specifications

1. Rating : DC12V 0.5A or 24V 0.3A
2. Contact Resistance : 200mΩ Max
3. Operating Force : 250±150gf
4. Mechanical life : 10,000 cycles
Electrical life: 2,000 cycles



P.C.B layout

⑤	Spring	—	1	Stainless Steel	Natural	—
④	Contact Clip	—	1	C5210	Ag Clad	—
③	Knob	—	1	PA	Red	—
②	Base	—	1	PA	Black	—
①	Terminal	—	3	Brass	Au Plated	—
ITEM	PART NAME	TER'NO.	QTY.	MATERIAL	FINISHING	REMARK

APPROVALS		DATE					
DRAWN	LIUCAN	2024.1.10					
CHECKED				TITLE:	SLIDE SWITCHS		
APPROVALS				PART NO.	K3-1204D-L		
TOLERANCES ARE			30~以上	±0.30	ANGLE	UNIT: mm	
			10~30	±0.20			
			5~10	±0.15	±2'	SCALE: 1:1	
			~ 5	±0.10			DRAWING NO.
ECN NO.	REV.	DATE.	DESCRIPTION.	CHANGE.	CHECK.	APPRO.	SHEET 1 OF 1

_____	A	_____	NEW	_____	_____	_____
ECN NO.	REV.	DATE.	DESCRIPTION.	CHANGE.	CHECK.	APPRO.