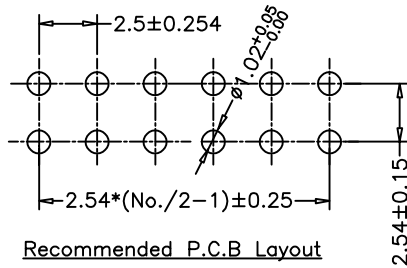
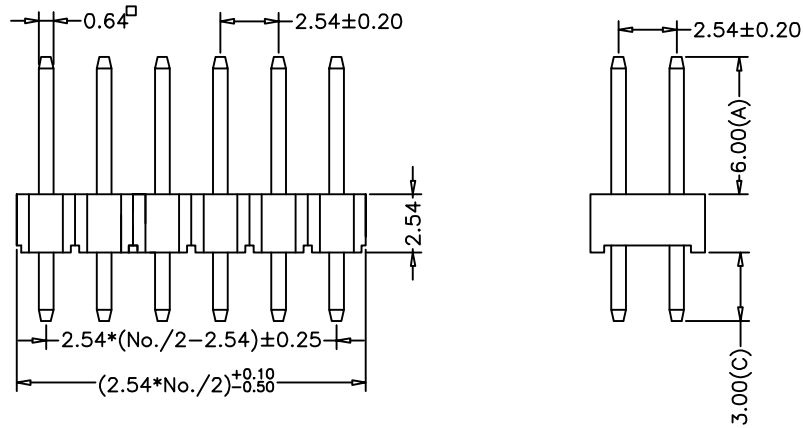
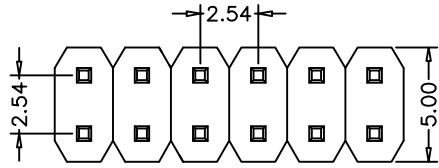


# 客户图

NO.	ECN NO.	DESCRIPTION	DATE
1			



## SPECIFICATIONS:

Current Rating: 3 Amps  
 Voltage Rating: 125V AC/DC  
 Insulator Resistance: 1000 MΩ Min.  
 Contact Resistance: 20mΩ Max.  
 Dielectric Withstanding: AC 1000V  
 Operating Temp.: -25 C~+125 C  
 Contact Material: Brass  
 Housing Material: PA9T UL94V-0  
 Plated: Gold flash all over Nickel  
 Packing: PE Bag (Bulk)  
 未标示公差: 正负0.20mm

客户料号: YZT1069-06120-\*\*025-01  
 \*\*代表P数, 例如: 2P为02

GL27D01    \*\*    G00    1    Q    C01  
 A        B        C        D        E        F

- A. Serial No.  
2.54\*2.54mm 180/DIP male header
- B. No. of positions:  
2\*01-2\*40 Pins
- C. Plated:  
G00:Gold flash all over
- D. Housing Height  
1:H=2.54mm    3:H=1.50mm  
2:H=2.0mm    4:H=3.3mm
- E. Housing material/color  
Q:PA9T/Black
- F. Dimension (See Label)  
C01: A=6.00mm; C=3.00mm  
(We can produce the A/C dimension of customer's requirement)

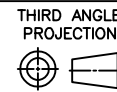
Label		
C16	6.00	1.20
C15	5.84	2.50
C14	15.5	3.00
C13	7.00	3.00
C12	4.50	2.54
C11	8.26	3.00
C10	5.80	3.00
C09	18.0	8.00
C24	5.50	3.30
C23	9.50	3.00
C22	3.40	2.00
C21	12.0	3.00
C20	13.0	3.00
C19	3.00	3.00
C18	2.10	3.50
C17	6.10	2.40
C08	6.50	3.00
C07	6.80	3.00
C06	24.5	3.70
C05	6.00	3.70
C04	18.50	3.00
C03	6.96	3.00
C02	9.00	3.00
C01	6.00	3.00
Code	A	C
Code	A	C

深圳市鑫探技术有限公司



HTTP://WWW.XYZPOGOPIN.COM  
 TEL:0755-28773277 FAX:0755-28891353

SCALE:	N/A	UNIT	mm
SHEET:	1 of 1	PROJECTION	
DATE:	2026.5.8	VER.	D.0



REVISION	A
LINEAR	ANGLE
X. ±0.50	X." ±5°
X.X ±0.38	X.X' ±2'
X.XX ±0.25	X.XX" ±1'

DESIGNED BY:	
CHECKED BY:	
APPROVED BY:	

DWG. NO. YZT1069-06120-XX025-01

TITLE: 连接器