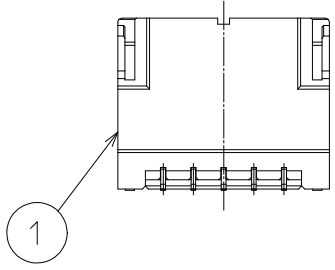
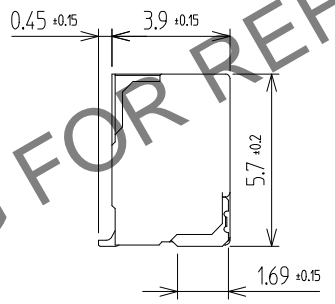
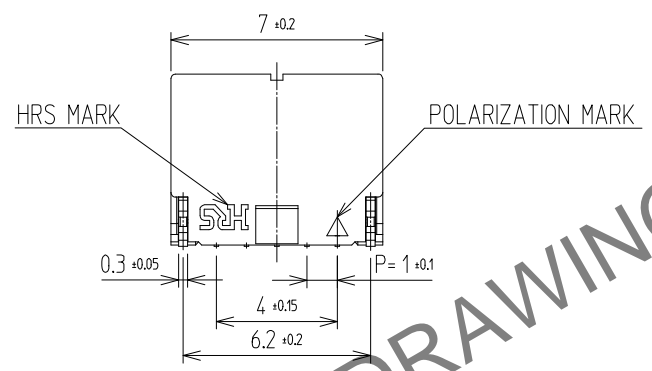
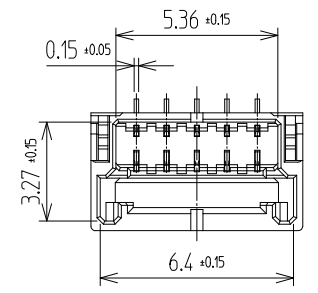
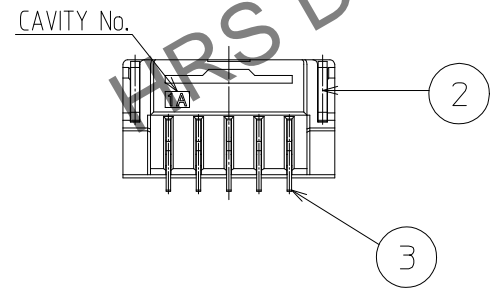
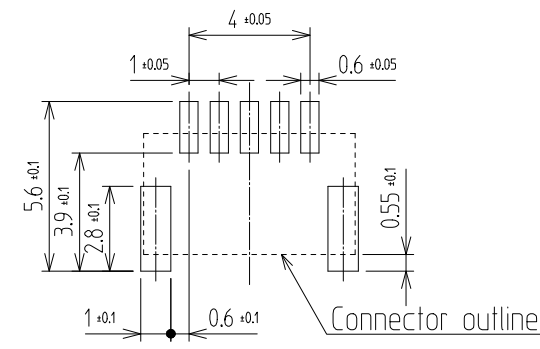


Apr.1.2026 Copyright 2026 HIROSE ELECTRIC CO., LTD. All Rights Reserved.
In case of consideration for using Automotive equipment / device which demand high reliability, kindly contact our sales window

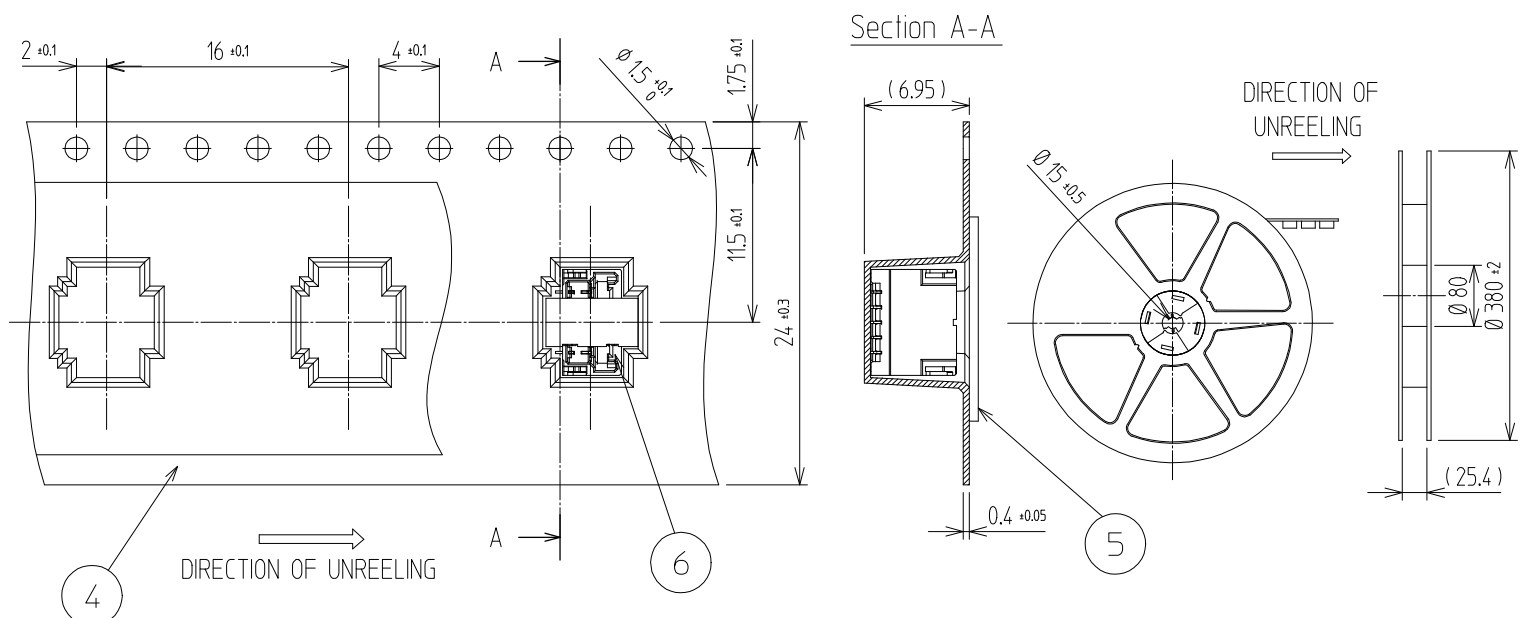
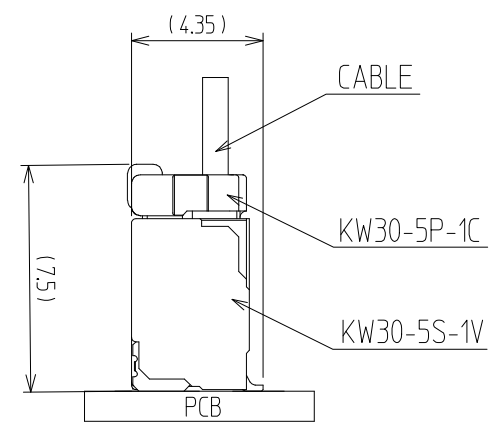
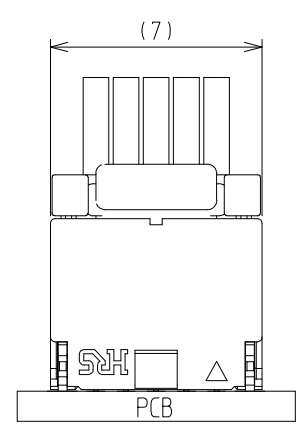
△數 COUNT	訂正事項 DISCUSSION OF REVISIONS	擔當 B	檢圖 CHKD	年月日 DATE	△數 COUNT	訂正事項 DISCUSSION OF REVISIONS	擔當 B	檢圖 CHKD	年月日 DATE
△					△				
△					△				
△					△				



RECOMMENDED PCB LAYOUT (Top-View)



MATING FIGURE



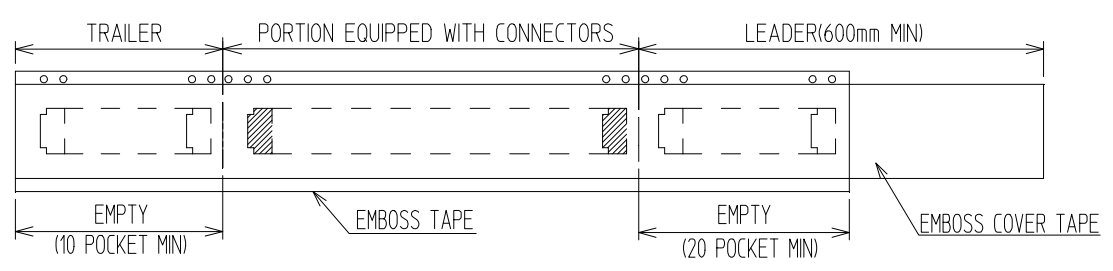
NOTE

- LEAD CO-PLANARITY SHALL BE 0.1mmMAX
- 1REEL : 800EA CONNECTORS

3. UL(File No. E132750) AUTHORIZATION ARTICLE.
C-UL(File No. E132750) AUTHORIZATION ARTICLE.



3	COPPER ALLOY	CONTACT AREA : GOLD 0.2µm MIN. SMT LEAD : GOLD 0.05µm MIN. UNDER PLATING : NICKEL 1µm MIN.	6	CONNECTOR	KW30-5S-1V
2	PHOSPHOR BRONZE	Sn PLATED	5	PET	COVER TAPE
1	LCP	UL94-V0, BLACK	4	PS	EMBOSS CARRIER TAPE
NO.	MATERIAL	FINISH,REMARKS	NO.	MATERIAL	FINISH,REMARKS



CODE NO. (OLD)	DRAWN	DESIGNED	CHECKED	APPROVED	RELEASED
	KIM 24.05.14 H.R	KIM 24.05.14 H.R	PARK 24.05.14 I.K	LIM 24.05.14 S.M	

SCALE 4:1 UNITS mm	DRAWING NO. EDC3-634420	PART NO. KW30-5S-1V
	HRS HIROSE KOREA CO.,LTD.	CODE NO. CL 6669-0020-8

1/1