

**10/100/1000M Lan Transformer**

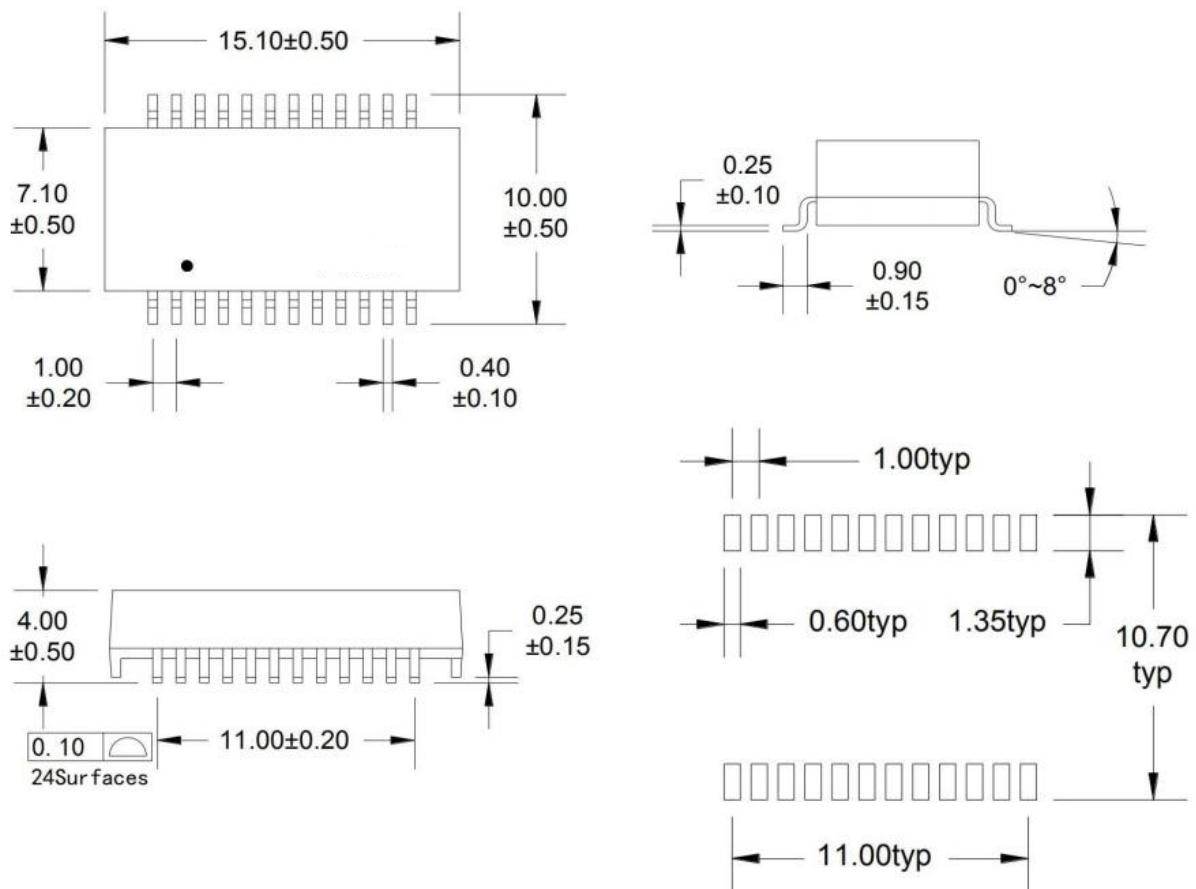
**Features**

- Meets IEEE 802.3 and ANSIX3.263 standards .RoHS Compliant
- 10/100/1000 Base-T, Surface Mount Type, Open Header
- Cable interface for isolation and low common mode emissions.
- Reflow soldering temperature: peak temperature ≤ 250 °C (10s)
- Reflow soldering frequency: It is recommended not to exceed 3 times
- Storage temperature range: -40°C to +85°C
- Operating temperature range: 0°C to +70°C

**Specifications**(特性参数)

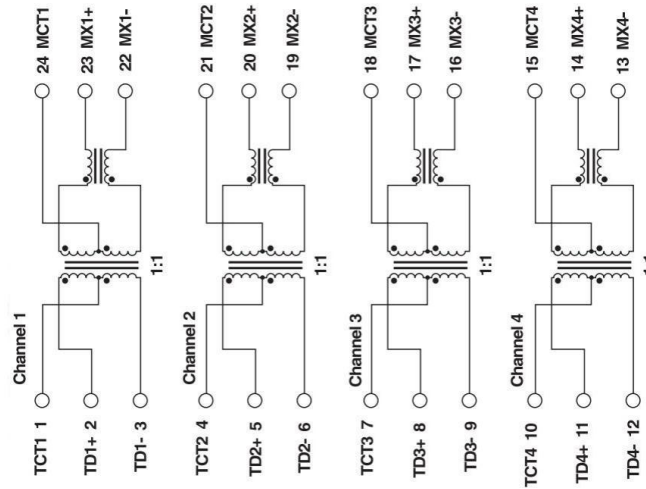
Part No	OCL(uH min) @100KHz/0.1Vrms,8mA	Turns Ratio(3%)	Leakage primary@10KHz 0.1Vrms	DCR (Ω) Max	Cww(Pri:Sec) pF Typ	Isolation Voltage(AC Vrms 3S)
G2406S	350UH	1:1	0.5uH max	0.9/1.2	35	1500V
Part No	Insertion loss(dB max) 1-100MHz	Return Loss(dB Min)MHz			CMRR(dB min)MHz	Crosstalk(dB min)MHz
		1-30	40~60	60~100	1-60	60~100
G2406S	-1.2	-18	-16	-12	-40	-28

**Mechanical**(外观尺寸图)

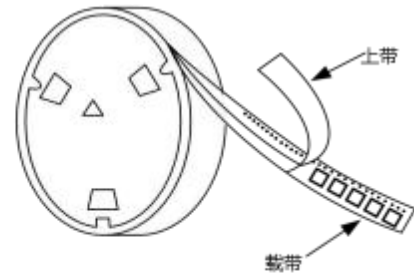
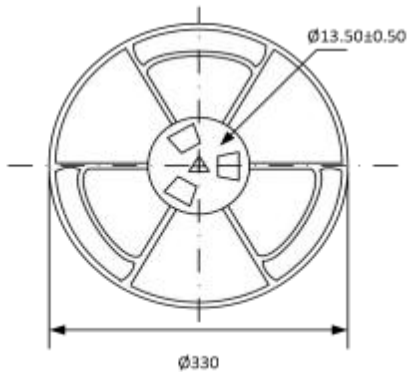
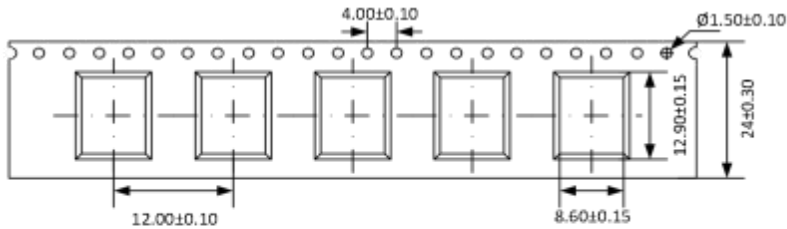


※unit: mm

**Schematic (原理图)**



**packing (包装信息)**



※unit: mm

※ Packaging quantity : 800pcs/roll 6400pcs/box

※ Outer box size: \* L \* \* W \* \* H