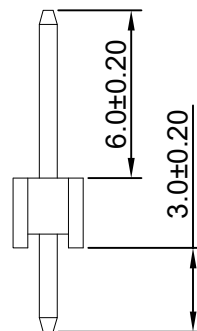
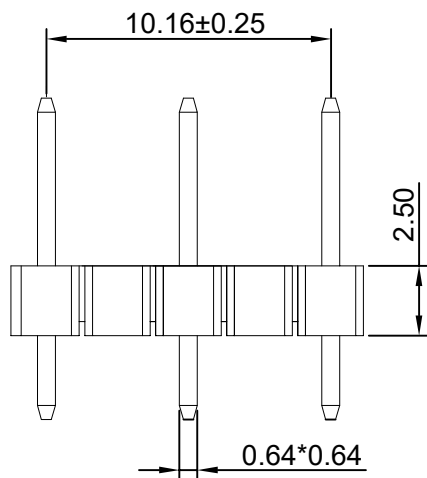
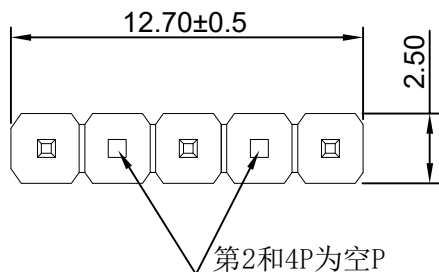


# RoHS

REV	ECN NO.	DESCRIPTION	DESIGN	APPROVAL	DATE
A1	NEW	新版发行			2026.04.07

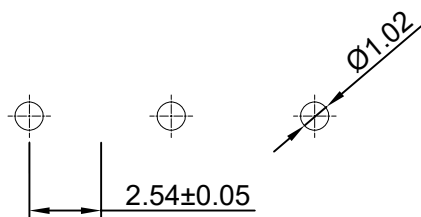


### SPECIFICATIONS

1. Current rating: 3A
2. Temperature range: -40°C ~ +105°C
3. Insulation resistance: 1000MΩ Min.
4. Withstanding voltage: 500V AC/ minute.
5. Contact resistance: 20mΩ Max.

### Material:

Insulator Material: PA6T (UL 94V-0) Black  
 Contact Material: Brass  
 Plating: Matte Tin or gold plated over Nickel  
 Mate with XFCN PM254 Single row series



## P.C.B Hole Layout

X.±0.50	X.°±	PART NO:		PZ254V-11-05-K24		<b>XFCN</b> 兴飞连接器	
.X±0.25	.X°±	TITLE:		2.54mm Pin Header Connectors		0769-82001899	
.XX±0.15	.XX°±	UNITS:		mm		www.xfconn.com	
.XXX±0.10	.XXX°±	APPD		Chen ZhiQiang		DWG NO:	
THESE DRAWINGS AND SPECIFICATIONS ARE THE PROPERTY OF XFCN AND SHALL NOT BE REPRODUCED, COPIED OR CUED IN ANY MANNER WITHOUT THE PRIOR WRITTEN CONSENT OF XFCN		CHKD		Liu Wei		VIEW	
		DRAW		Chen HongJiang		SCALE	
		DATE		2026.04.07		SHEET	
						1/1	
						REV	
						A1	