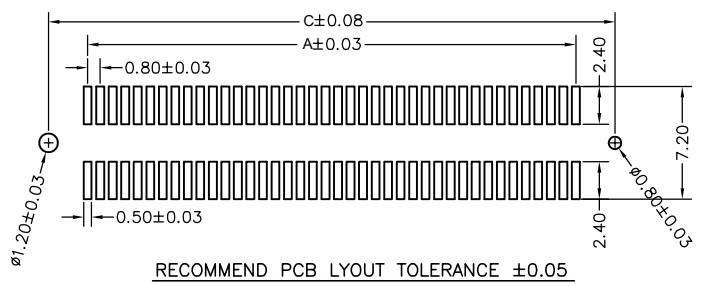
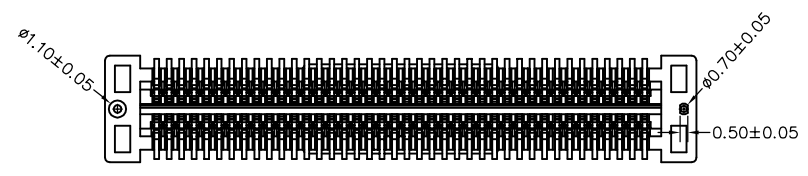
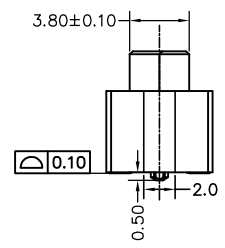
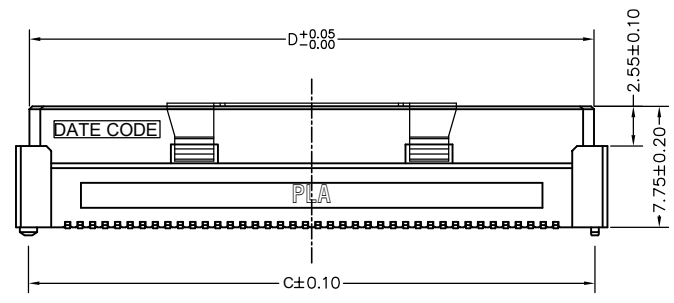
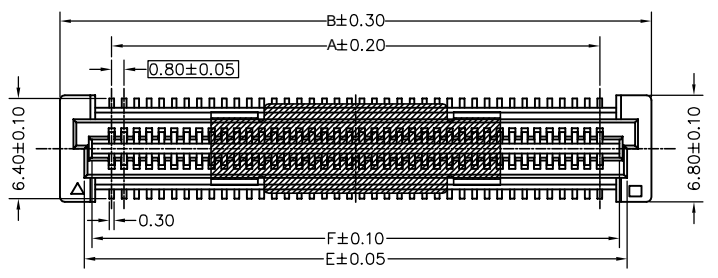


REV	ECN. NO.	DESC.	APPD.
A		新版发行	LWW 210922



- NOTES: (UNLESS OTHERWISE SPECIFIED)
- DIMENSION SHALL BE INTERPRETED PER ANSI Y14.5M-1994
  - INSERTION FORCE: 150g MAX. PER CONTACT.
  - WITHDRAW FORCE: 25g MIN. PER CONTACT.
  - DURABILITY: 30 CYCLES .
  - VOLTAGE RATING:30V AC
  - CURRENT RATING:0.5 AMPERE.
  - CONTACT RESISTANCE:50 m ohms MAX. FOR INITIAL.
  - DIELECTRIC WITHSTANDING VOLTAGE: 500V AC rms./MINUTE.
  - INSULATION RESISTANCE: 100 Megohms MIN..
  - HARMFUL MATERIAL SHOULD BE COMPLIANT TO DOC. STANDARDS.
  - PRODUCT NUMBER MATRIX: 5001-BAP 0877- \*\* F R -00-B

Standby  
 PACKING: R(卷)  
 FEMALE  
 PIN  
 MATING HEIGHT: 77-7.7H  
 0.8BTB  
 JM CONN BTB CONNECTOR SERIES

CIRCUITS	DIM.A	DIM.B	DIM.C	DIM.D	DIM.E	DIM.F
40	15.20	21.80	20.20	20.10	18.70	17.70
50	19.20	25.80	24.20	24.10	22.70	21.70
60	23.20	29.80	28.20	28.10	26.70	25.70
80	31.20	37.80	36.20	36.10	34.70	33.70
100	39.20	45.80	44.20	44.10	42.70	41.70
120	47.20	53.80	52.20	52.10	50.70	49.70
140	55.20	61.80	60.20	60.10	58.70	57.70
160	63.20	69.80	68.20	68.10	66.70	65.70
180	71.20	77.80	76.20	76.10	74.70	73.70
200	79.20	85.80	84.20	84.10	82.70	81.70

X:± 0.30	.X± 0.25	.XX± 0.20	NAME<INTENDED USE>: 0.8MM BTB CONN.	深圳市文章济美科技有限公司
X:± 3'	.X'± 2'	.XX'±	PART NO.<INTENDED USE>: 5001-BAP0877- **FR-00-B	TITLE: CUSTOMER DRAWING
UNITS: mm	DATE: 2021-09-22	MAT'L	APPD: WEIWU LIU	DWG NO.: 600-0000-0491
			CHKD: GUOCHAO YAN	SCALE SHEET REV N/A 1/1 A
			DR: PAN YANG	