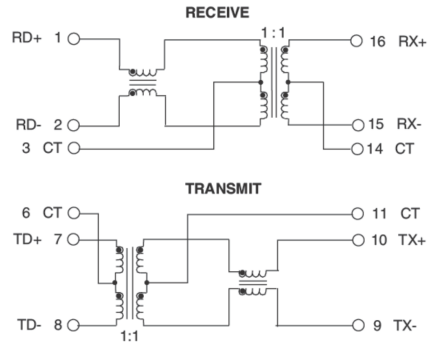
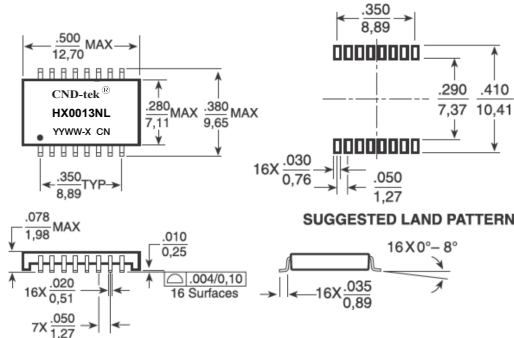


1. Compatible with various 10/100 Base-TX PC Card transceiver requiring
2. Compliant with IEEE 802.3ab standard including baseline wander compensation specification of 350 μ H OCL when Biased at 8mA
3. Low profile Surface Mount Packaging designed for Hi-Temp Reflow Process
4. Single channel interface for 10/100Mbps Ethernet applications with CMC's tuned to Enhance EMC system performance
5. Operating Temperature range: -40 C TO +85 C
6. Storage temperature range: -40 C TO +125 C



DIMENSIONS & SCHEMATICS

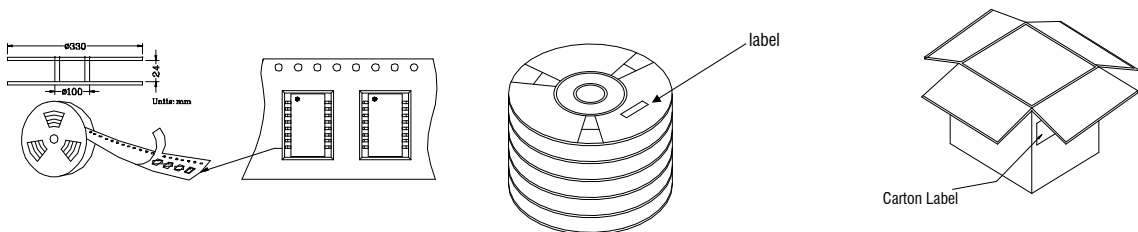


Note: 1. Dimension: inches/mm 2. Unless otherwise specified, tolerances are: ± 0.15 mm

TECHNICAL SPECIFICATIONS

OCL :	350 μ H Min. @ 100 KHz, 0.1V with 8mA DC Bias
Leakage	0.5 μ H Max. @ 100KHz, 0.1V
Inductance: Cw/w:	28pF Max. @ 100KHz, 0.1V
DCR:	1.00 Ω Max.
Turns Ratio($\pm 2\%$):	1CT:1CT
Insertion Loss:	-1.1 dB Max. @ 0.1-100MHz
Return Loss:	-16dB Min.@ 30 MHz -12dB Min@60 MHz -11dB Min.@ 80 MHz
Cross Talk:	-50dB Min. @ 30MHz -45dB Min@ 62MHz -40dB Min@ 100MHz
Common Mode Rejection :	-35dB Min.@ 30MHz -33dB Min@ 50 MHz -20dB Min@ 100 MHz
Isolation HI-POT:	1500Vrms 1mA 60Second

PACKING SPECIFICATION



1. units/reel:2000PCS
2. reel/carton:5PCS
3. units/carton :10000PCS

EXPORT CARTON:367(L)x337(W)x235(H)