

| REVISION RECORD |     |             |      |      |
|-----------------|-----|-------------|------|------|
| REV             | ECD | DESCRIPTION | DRFT | CHKD |
|                 |     |             |      |      |

NOTES:

MATERIAL:

1. HOUSING MATERIAL :GLASS FILLED POLYESTER UL94V-0.
2. CONTACT MATERIAL :PHOSPHOR BRONZE t=0.30mm.
3. PLATING :SELECTING GOLD PLATING 3u"~50u"OVER NICKEL IN CONTACT AREA.150u" TIN PLATING OVER NICKEL IN SOLDER AREA
4. SHIELD: :0.20mmTHICKNESS COPPER ALLY WITH NICKEL PLATED

ELECTRICAL:

1. VOLTAGE RATING :125 VAC RMS.
2. CURRENT RATING :1.5 AMP.
3. CONTACT RESISTANCE :30 MILLIOHMS MAX.
4. INSULATION RESISTANCE :500 MEGOHMS MIN @ 500V DC .
5. DIELECTRIC WITHSTANDING RESISTANCE :1000V AC RMS 50Hz. 1MIN.

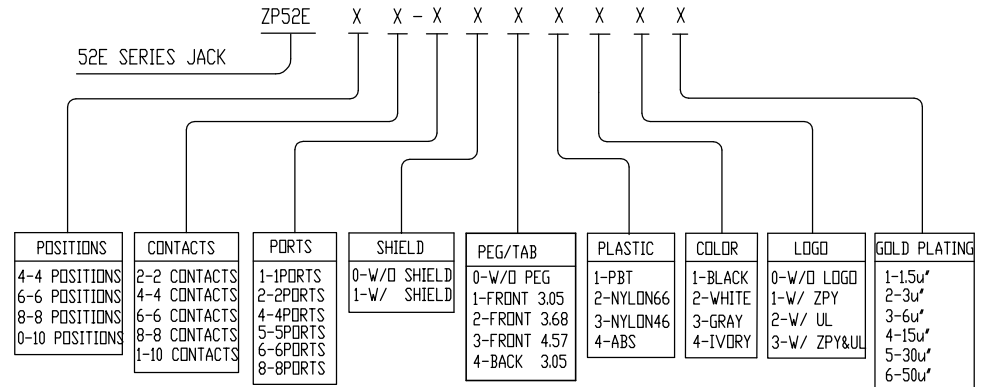
MECHANICAL:

1. DURRABILITY: :750 CYCLES MIN.
2. PCB RETENTION PRE-SOLDER :1 LB MIN.

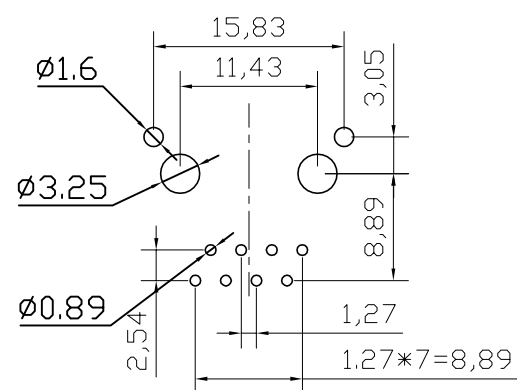
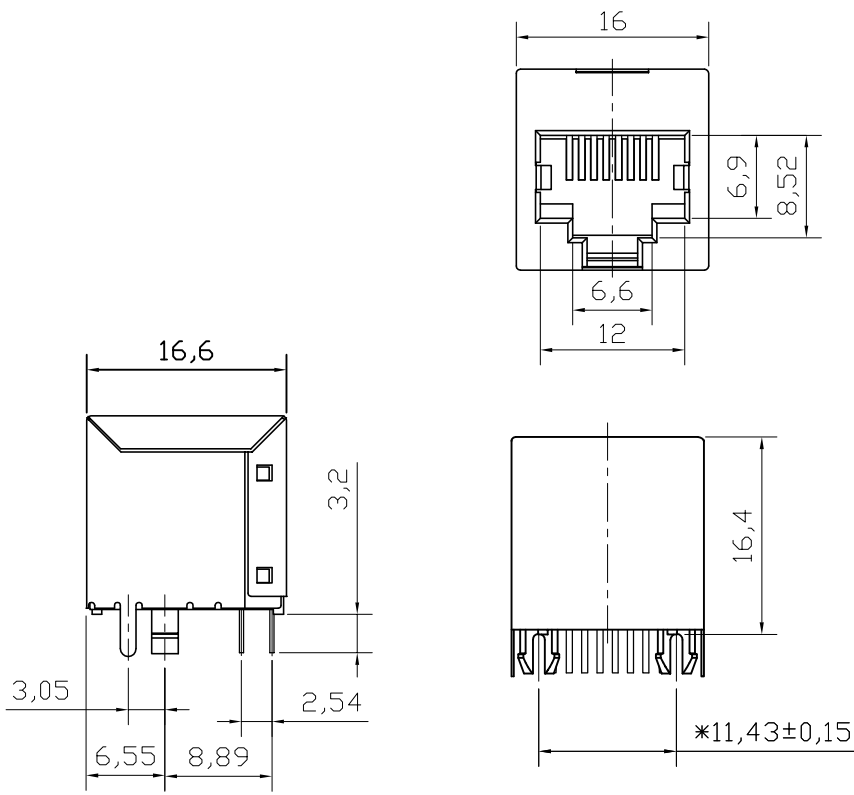
ENVIRONMENTAL:

1. STORAGE : -40° C TO 85° C.
2. OPERATION : 0° C TO 70° C.

PART NUMBER:



|                        |   |             |                  |  |
|------------------------|---|-------------|------------------|--|
| DETACHED LISTS         | MM (INCH)                                     | DFTO: SHB   | DATE: 2007.05.05 | <b>连兴旺电子(深圳)有限公司</b><br>LXWCON ELECTRONICS (SHENZHEN) CO., LTD   |
|                        | TOLERANCES EXCEPT AS NOTED                    | CHKD: LANBD | DATE: 2007.05.05 |  |
|                        | MM  | MFO:        | DATE:            |  |
|                        | .0 ± 0.15 ±<br>.00 ± 0.075 ±<br>.000 ± 0.05 ± | APPVL:      | DATE:            |  |
| ANGLES ± 0.5           | MATERIAL :                                    | QTY :       | TITLE            | <b>52E-1*1-8p8C-S-F3.08</b><br>DRAWING NO. TE52E1002<br>/PART NO. 52E-1X1-8P8C-S-F3.05<br>DO NOT SCALE DRAWING |
| THIRD ANGLE PROJECTION | FINISH :                                      | SCALE :     | SIZE REV         |  |
|                        |   |             | <b>A3 0</b>      |  |
|                        |   |             |                  | SHEET OF   |



PC Board Layout  
Component Side Shown