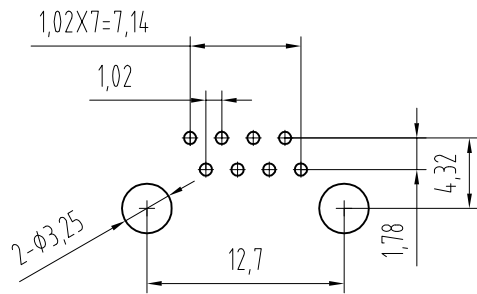
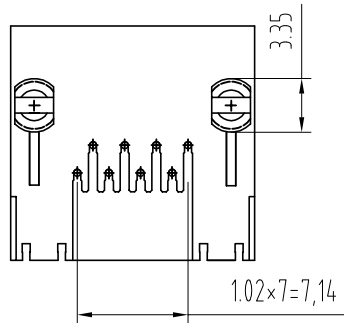
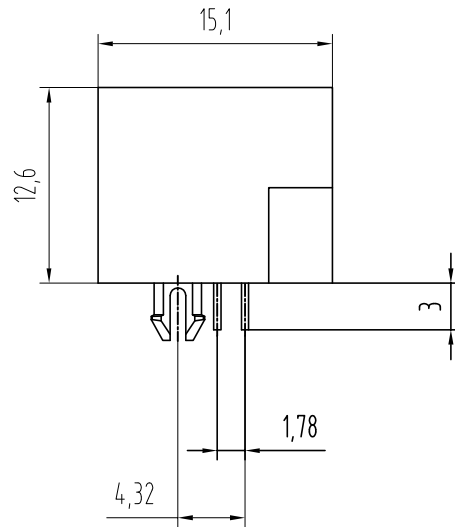
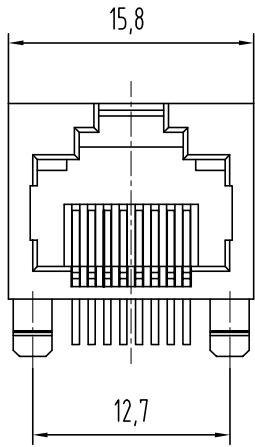


| REVISION RECORD | | | | |
|-----------------|-----|-------------|------|------|
| REV | ECO | DESCRIPTION | DRFT | CHKD |
| | | | | |



PC Board Layout
Component Side Shown

NOTES:

MATERIAL :

- 1.HOUSING MATERIAL :GLASS FILLED POLYESTER UL94V-0.
- 2.CONTACT MATERIAL :PHOSPHOR BRONZE φ0.46mm.
- 3.PLATING :GOLD PLATING OVER NICKEL.

ELECTRICAL:

- 1.VOLTAGE RATING :125 VAC RMS.
- 2.CURRENT RATING :15 AMP.
- 3.CONTACT RESISTANCE :30 MILLIOHMS MAX.
- 4.INSULATION RESISTANCE :500 MEGOHMS MIN @ 500V DC .
- 5.DIELECTRIC WITHSTANDING RESISTANCE :1000V AC RMS 50Hz. 1MIN.

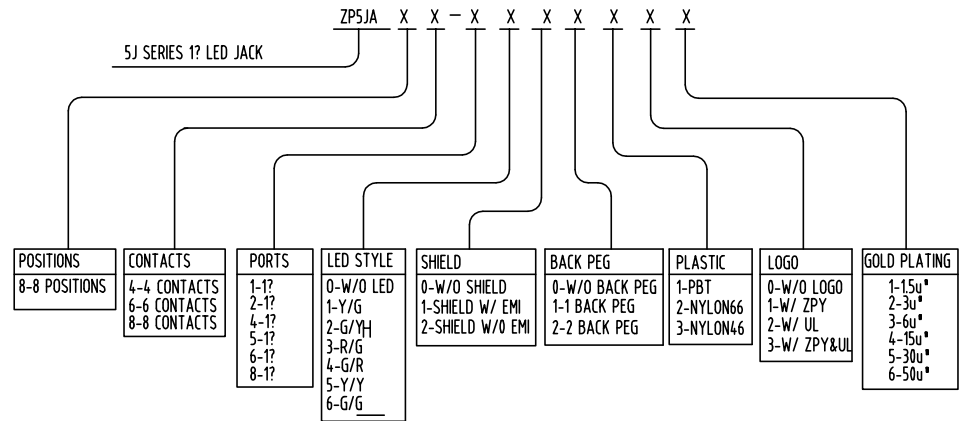
MECHANICAL:

- 1.DURRABILITY :750 CYCLES MIN.
- 2.PCB RETENTION PRE-SOLDER :1 LB MIN.

ENVIRONMENTAL:

- 1. STORAGE : -40℃~+85℃
- 2. OPERATION : 0? TO 70?.

PART NUMBER:



| | | | |
|----------------------------|----------|------------|------------|
| MM (INCH) | DFTO SHB | DATE | 2007.05.03 |
| CHKD LANBO | DATE | 2007.05.03 | |
| TOLERANCES EXCEPT AS NOTED | | | |
| MFO | DATE | | |
| APPVL | DATE | | |
| MATERIAL : | | | |
| ANGLES ± 0.5 | | | |
| QTY : | | | |
| FINISH : | | | |
| SCALE : | | | |

LXW 连兴旺电子(深圳)有限公司
LXWCONN ELECTRONICS (SHENZHEN) CO., LTD

TITLE
5JA 1. JACK W/O SHIELD

DRAWING NO. /PART NO. **5JA-1X1-8P8C** SIZE **A3** REV **0**

DO NOT SCALE DRAWING SHEET X OF Y