

REVISION RECORD				
REV	ECO	DESCRIPTION	DRFT	CHKD

NOTES:

MATERIAL :

- | | |
|--------------------|--|
| 1.HOUSING MATERIAL | :GLASS FILLED POLYESTER UL94V-0. |
| 2.CONTACT MATERIAL | :PHOSPHOR BRONZE $\phi 0.46\text{mm}$. |
| 3.PLATING | :GOLD PLATING OVER NICKEL. |
| 4.SHIELD | :0.23mm THICKNESS COPPER ALLOY WITH NICKEL PLATED. |
| 5.LED | :OPTION |

ELECTRICAL:

- | | |
|--------------------------------------|------------------------------|
| 1.VOLTAGE RATING | :125 VAC RMS. |
| 2.CURRENT RATING | :1.5 AMP. |
| 3.CONTACT RESISTANCE | :30 MILLIOHMS MAX. |
| 4.INSULATION RESISTANCE | :500 MEGOHMS MIN @ 500V DC . |
| 5.DIELECTRIC WITHSTANDING RESISTANCE | :1000V AC RMS 50Hz. 1MIN. |

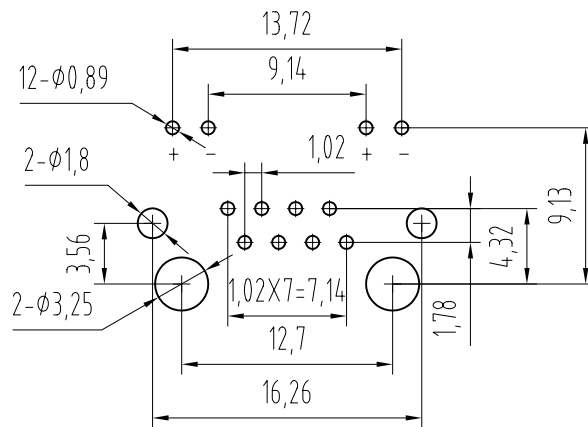
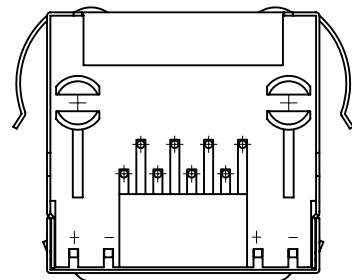
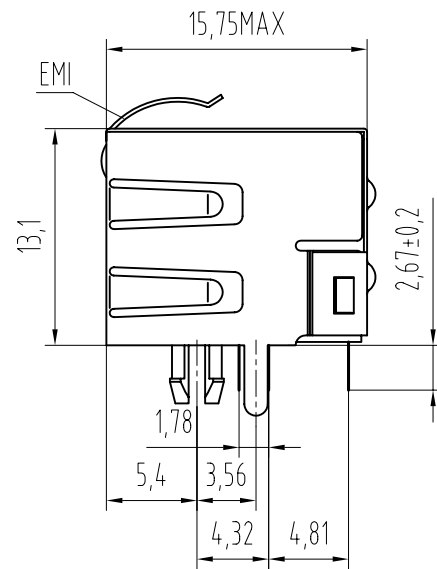
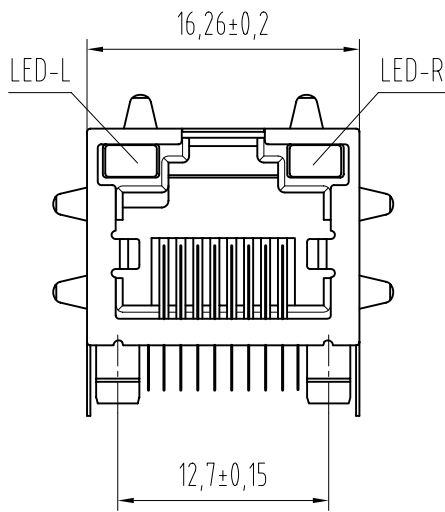
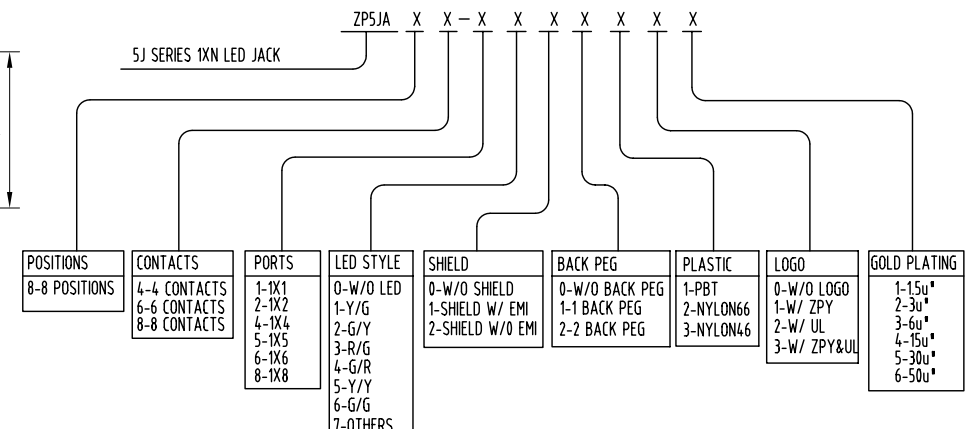
MECHANICAL:

- | | |
|----------------------------|------------------|
| 1.DURRABILITY | :750 CYCLES MIN. |
| 2.PCB RETENTION PRE-SOLDER | :1 LB MIN. |

ENVIRONMENTAL:

- | | |
|--------------|--------------------------------------|
| 1. STORAGE | : -40 $^{\circ}$ ~+85 $^{\circ}$ C |
| 2. OPERATION | : 0 $^{\circ}$ C TO 70 $^{\circ}$ C. |

PART NUMBER:



PC Board Layout
Component Side Shown

DETACHED LISTS .5 ± 0.15 .00 ± 0.075 .000 ± 0.05 ANGLES ± 0.5 THIRD ANGLE PROJECTION	DFTO SHB CHKD LANBO MFO APPVL	DATE 2007.05.05 DATE 2007.05.05 DATE DATE
	MATERIAL :	
	QTY :	
	FINISH :	
SCALE :		

LXW 连兴旺电子(深圳)有限公司
LXWCONN ELECTRONICS (SHENZHEN) CO., LTD

TITLE		
5JA SERIES 1X1 LED JACK SHIELDED		
DRAWING NO. TE5JA1002	SIZE A3	REV 0
/PART NO. 5JA-1X1-8P8C-LED-S-E		
DO NOT SCALE DRAWING	SHEET X	OF Y