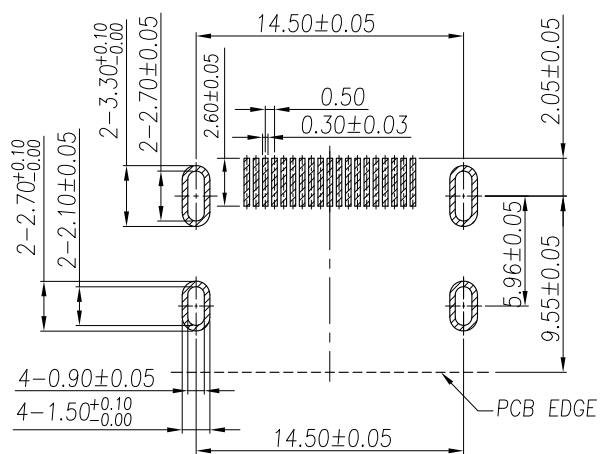
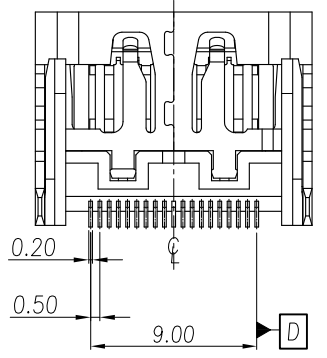
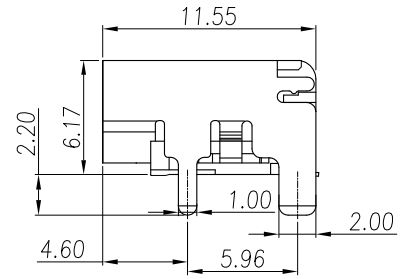
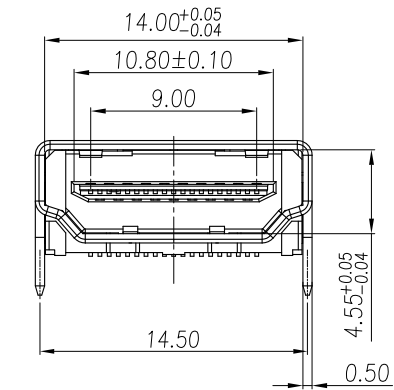
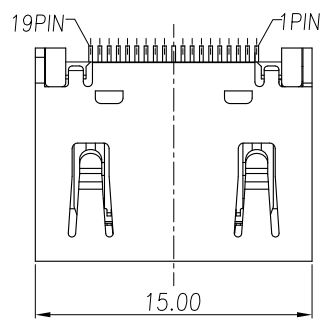
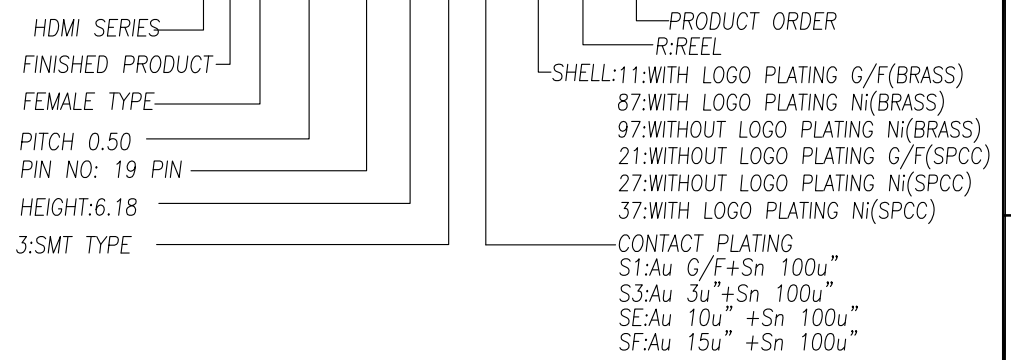


NOTES:

- 1.) MATERIAL:
  - 1-1. HOUSING:LCP,UL 94V-0,COLOR:BLACK;
  - 1-2. CONTACT:C2680 T=0.20;
  - 1-3. SHELL:SPCC T=0.50;
- 2.) FINISH:
  - 2-1. CONTACT: Au PLATING ON CONTACT AREA,(SEE P/N DESCRIBING) MATTE PURE Sn 100u" Min. PLATING ON SOLDER TAILS,50u" MIN. Ni UNDERPLATING OVERALL;
  - 2-2. SHELL: PLATING Ni 100u Min
- 3.) SPECIFICATIONS:
  - 3-1. VOLTAGE RATING: 40V
  - 3-2. CURRENT RATING: 0.5A
  - 3-3. INSULATION RESISTANCE: 100MEG.OHM MIN
  - 3-4. CONTACT RESISTANCE: 30MILL.OHM MAX
  - 3-5. OPERATION TEMPERATURE: -20° TO +85°
  - 3-6. INSERT FORCE: 44.1N MAX
  - 3-7. EXTRACT FORCE: 9.8~44.1N
  - 3-8. DURABILITY: 10000 CYCLES

4.) PART No.:

**I A F 05-19 61 3-\*\* \*\* R -M15**



RECOMMENDED PCB LAYOUT (T:1.60mm)  
 TOLERANCE UNSPECIFIED ±0.10mm

TOLERANCE UNLESS OTHERWISE SPECIFIED		连兴旺电子(深圳)有限公司 LXWCONN ELECTRONICS (SHENZHEN) CO., LTD		
.X± 0.25	X.*± 1.5'	APR. Paul 03.16.12'	TITLE: HD-A-F01	UNITS. MM
.XX± 0.15	.X.*± 1.0'	CHK. Free 03.16.12'	DWG NO. IAF05-19613-S127R-M15	SHEET. 1 / 1
.XXX± 0.10	.XX.*± 0.5'	DRA. Zhou 03.16.12'	PROJ.	CUSTOMER DRAWING SCALE: 5:1 SHEET REV. A0

AO		FIRST RELEASE	Paul	03.16.12'
REV.	Q'TY	ECN. NO.	APR.	DATE