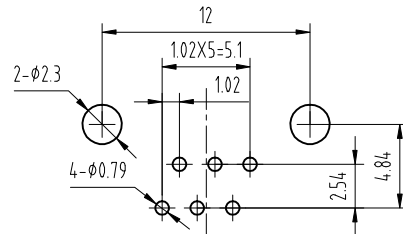
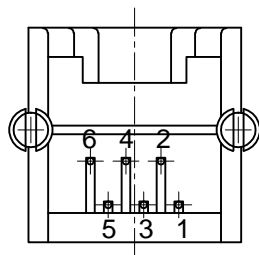
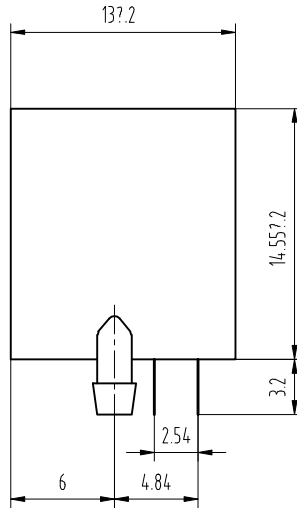
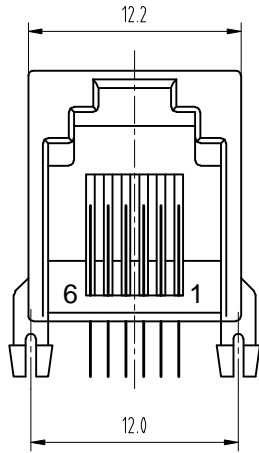


REVISION RECORD				
REV	ECO	DESCRIPTION	DRFT	CHKD



PC Board Layout
Component Side Shown

NOTES:

MATERIAL :

- 1.HOUSING MATERIAL :GLASS FILLED POLYESTER UL94V-0.
- 2.CONTACT MATERIAL :PHOSPHOR BRONZE φ0.46mm.
- 3.PLATING :GOLD PLATING OVER NICKEL.

ELECTRICAL:

- 1.VOLTAGE RATING :125 VAC RMS.
- 2.CURRENT RATING :1.5 AMP.
- 3.CONTACT RESISTANCE :30 MILLIOHMS MAX.
- 4.INSULATION RESISTANCE :500 MEGOHMS MIN @ 500V DC .
- 5.DIELECTRIC WITHSTANDING RESISTANCE :1000V AC RMS 50Hz. 1MIN.

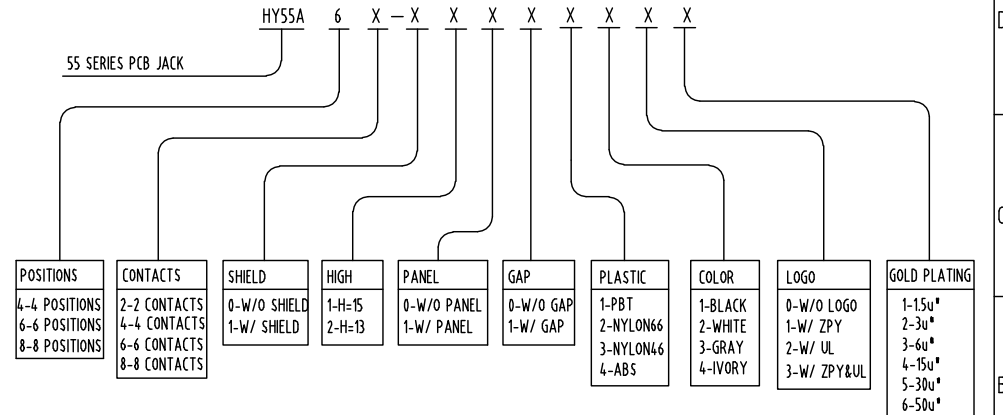
MECHANICAL:

- 1.DURRABILITY :750 CYCLES MIN.
- 2.PCB RETENTION PRE-SOLDER :1 LB MIN.

ENVIRONMENTAL:

- 1. STORAGE : -40℃~+85℃
- 2. OPERATION : 0? TO 70?.

PART NUMBER:



TOLERANCES EXCEPT AS NOTED MM .1 ± 0.15 .11 ± 0.175 .111 ± 0.15 ANGLES ± 0.5 THIRD ANGLE PROJECTION	DFTO SHB CHKD LANBO MFO APPVL MATERIAL : QTY : FINISH : SCALE :	DATE 2007.05.03 DATE 2007.05.03 DATE DATE DATE DATE	LXW 连兴旺电子(深圳)有限公司 LXWCONN ELECTRONICS (SHENZHEN) CO., LTD		
	TITLE 55 SERIES PCB JACK			DRAWING NO. TESSA1001 /PART NO. 55A-1X1-6P6C-13H	SIZE A3 REV 0
	DO NOT SCALE DRAWING			SHEET X OF Y	A
	8 7 6 5 4 3 2 1				