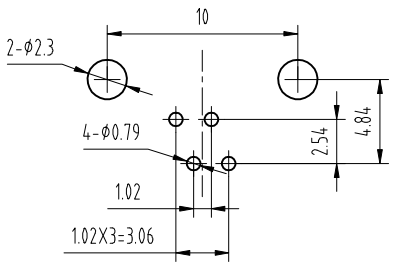
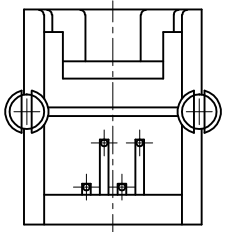
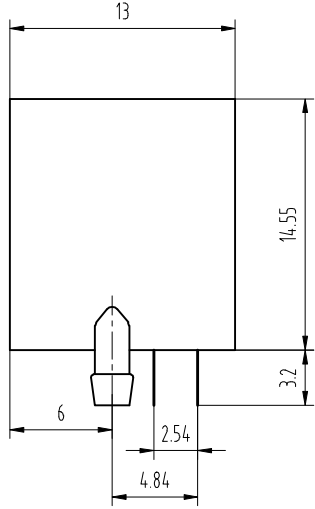
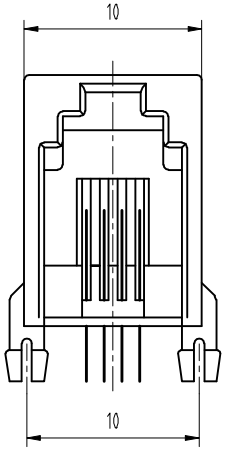


REVISION RECORD				
REV	ECO	DESCRIPTION	DRFT	CHKD



PC Board Layout
Component Side Shown

NOTES:

MATERIAL :

- 1.HOUSING MATERIAL :GLASS FILLED POLYESTER UL94V-0.
- 2.CONTACT MATERIAL :PHOSPHOR BRONZE φ0.46mm.
- 3.PLATING :GOLD PLATING OVER NICKEL.

ELECTRICAL:

- 1.VOLTAGE RATING :125 VAC RMS.
- 2.CURRENT RATING :1.5 AMP.
- 3.CONTACT RESISTANCE :30 MILLIOHMS MAX.
- 4.INSULATION RESISTANCE :500 MEGOHMS MIN @ 500V DC .
- 5.DIELECTRIC WITHSTANDING RESISTANCE :1000V AC RMS 50Hz. 1MIN.

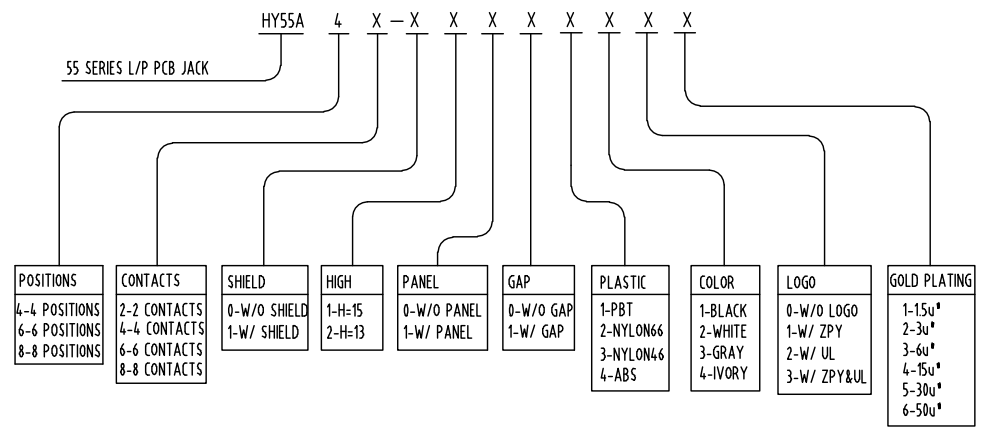
MECHANICAL:

- 1.DURRABILITY :750 CYCLES MIN.
- 2.PCB RETENTION PRE-SOLDER :1 LB MIN.

ENVIRONMENTAL:

- 1. STORAGE : -40°C~+85°C
- 2. OPERATION : 0? TO 70?.

PART NUMBER:



MM		DFTO SHB	DATE	2008.04.03
INCH		CHKD LANBO	DATE	2008.04.03
TOLERANCES EXCEPT AS NOTED				
.1 ± 0.15		MFO	DATE	
.11 ± 0.175		APPLV	DATE	
.111 ± 0.15		MATERIAL :		
ANGLES ± 0.5		QTY :		
THIRD ANGLE PROJECTION		FINISH :		
		SCALE :		

LXW 连兴旺电子(深圳)有限公司
LXWCONN ELECTRONICS(SHENZHEN)CO., LTD

TITLE
55 SERIES L/P PCB JACK 4P

DRAWING NO. TESSA1002 SIZE REV
/PART NO. 55A-1X1-4P4C A3 0

DO NOT SCALE DRAWING SHEET X OF Y