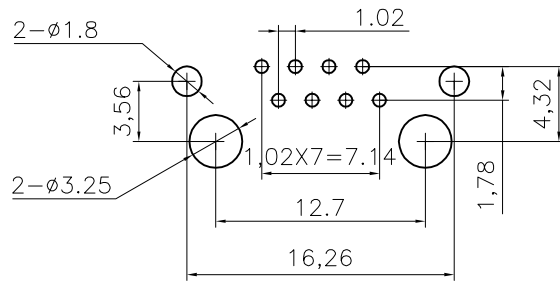
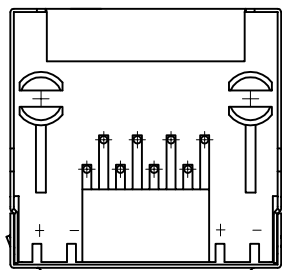
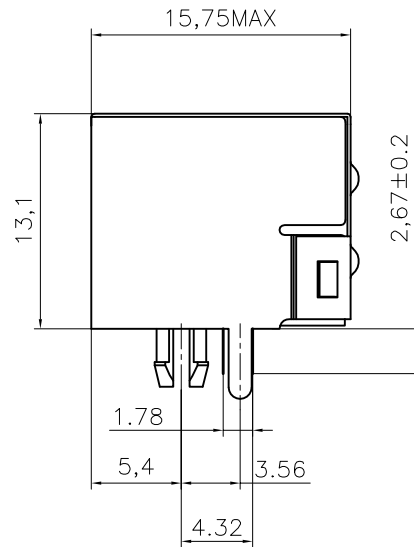
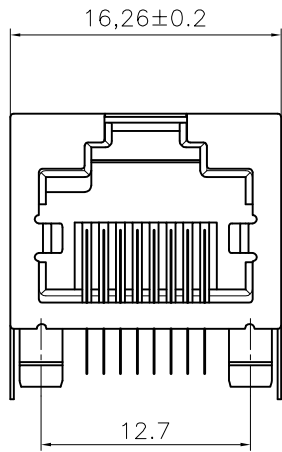


| REVISION RECORD |     |             |      |      |
|-----------------|-----|-------------|------|------|
| REV             | ECO | DESCRIPTION | DRFT | CHKD |
|                 |     |             |      |      |



PC Board Layout  
Component Side Shown

NOTES:

MATERIAL :

- 1.HOUSING MATERIAL :GLASS FILLED POLYESTER UL94V-0.
- 2.CONTACT MATERIAL :PHOSPHOR BRONZE ∅0.46mm.
- 3.PLATING :GOLD PLATING OVER NICKEL.
- 4.SHIELD :0.23mm THICKNESS COPPER ALLOY WITH NICKEL PLATED.

ELECTRICAL:

- 1.VOLTAGE RATING :125 VAC RMS.
- 2.CURRENT RATING :1.5 AMP.
- 3.CONTACT RESISTANCE :30 MILLIOHMS MAX.
- 4.INSULATION RESISTANCE :500 MEGOHMS MIN @ 500V DC .
- 5.DIELECTRIC WITHSTANDING RESISTANCE :1000V AC RMS 50Hz. 1MIN.

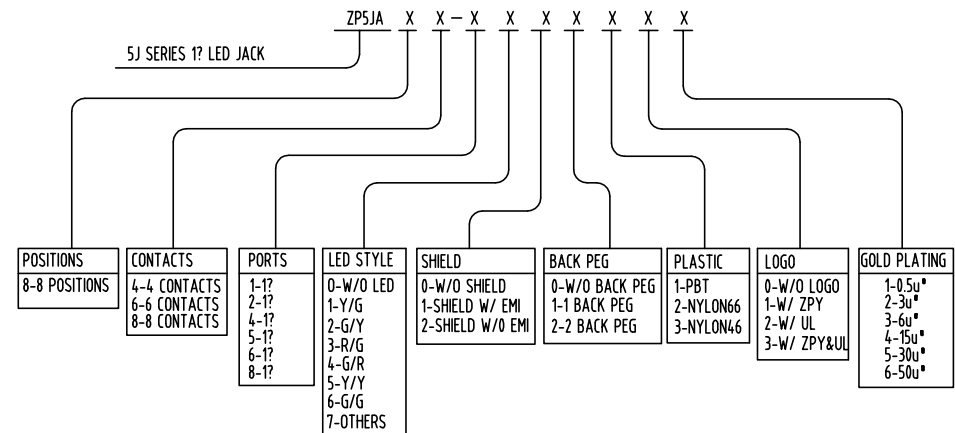
MECHANICAL:

- 1.DURRABILITY :750 CYCLES MIN.
- 2.PCB RETENTION PRE-SOLDER :1 LB MIN.

ENVIRONMENTAL:

- 1. STORAGE : -40℃~+85℃
- 2. OPERATION : -40℃~+85℃

PART NUMBER:



|  |  |  |  |                               |            |
|--|--|--|--|-------------------------------|------------|
| TOLERANCES EXCEPT AS NOTED<br>MM<br>.1 ± 0.15<br>.01 ± 0.075<br>.001 ± 0.05<br>ANGLES ± 0.5<br>THRD ANGLE PROJECTION | DFTO SHB<br>CHKD LANBO<br>MFO<br>APPVL<br>DATE | DATE 2007.05.05<br>DATE 2007.05.05<br>DATE<br>DATE | 连兴旺电子(深圳)有限公司<br>LXWCONN ELECTRONICS (SHENZHEN) CO., LTD |                               |            |
|  | MATERIAL :                                     |  |  | TITLE<br>5JA-1*1-8P8C-S       |            |
|  | Q.T'Y :  |  |  | DRAWING NO.<br>5JA-1X1-8P8C-S | SIZE<br>A3 |
|  | FINISH :                                       |  |  | DO NOT SCALE DRAWING          | REV<br>0   |
| SCALE :  |  |  | SHEET X OF Y   |                               |            |

H  
E  
G  
F  
E  
D  
C  
B  
A