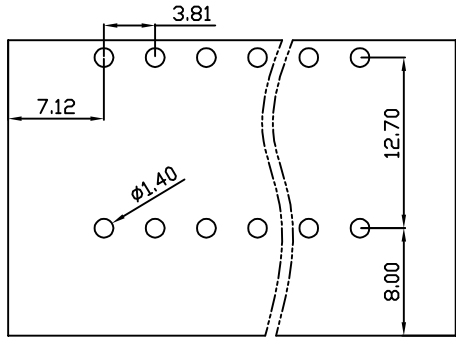
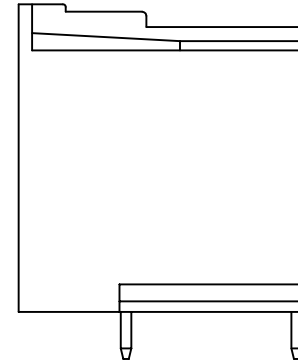
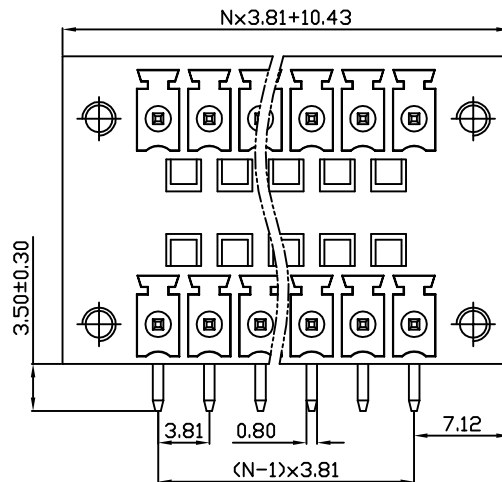
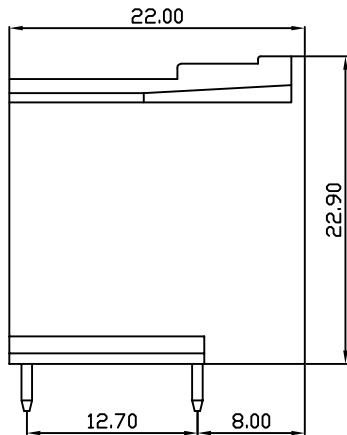
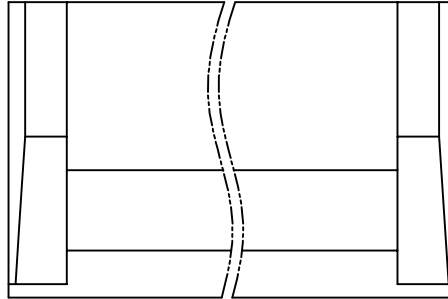


| linear dimension(Tolerances Standard GB/T 14486-2008) | | | | | | | | — | ∇ | \perp |
|---|-------|---------|----------|----------|-----------|------------|--------|------|----------|---------|
| variable range | to | over | over | over | over | over | over | to | to | to |
| | 6 | 6 to 10 | 10 to 30 | 30 to 60 | 60 to 100 | 100 to 160 | 160 to | | | |
| tolerance | ±0.20 | ±0.30 | ±0.50 | ±0.70 | ±1.00 | ±1.30 | ±1.60 | 0.10 | 0.30 | 0.60 |



PCB Layout



DB2ERHM — 3.81 — XXP — C

(Series No.) (Pitch) (Poles)

(Color):GN:(Green), BK:(Black), BU:(Blue), RD:(Red), GY:(Gray)
OG:(Orange), WT:(White), YL:(Yellow), CR:(Clear)

APPD: JTING Chen 2022.11.24
CHKD: Duck Mao 2022.11.24
DRFT: Steven Lu 2022.11.24

DORABO

宁波地博电气有限公司
Ningbo Dorabo Electric CO., Ltd

NAME:

DB2ERHM-3.81-XXP-C



SIZE: A4

mm
(inch)

REV T0-1

TYPE: CUSTOMER_DRAWING

SCALE: 1:1

SHEET 1/1

| UL/CUL 技术参数 | | UL/CUL Technical Data | | |
|-------------|-----------------------------------|-----------------------|-----|-----|
| 等级 | Use Group | B | C | D |
| 额定电压 | Rated Voltage [V] | 300 | - | 300 |
| 额定电流 | Rated Current [A] | 8 | - | 8 |
| 接线范围 | Wire Range | - | | |
| 单/多芯线 | Solid/Stranded [AWG] | | | |
| 耐电压 | Withstanding Voltage | 1600V/1Min | | |
| IEC 技术参数 | | IEC Technical Data | | |
| 过电压类别 | Overvoltage Category | III | III | II |
| 污染等级 | Contamination Class | 3 | 2 | 2 |
| 额定电压 | Rated Voltage [V] | 160 | 160 | 320 |
| 额定电流 | Rated Current [A] | 7 | 7 | 7 |
| 额定冲击电压 | Impulse withstand voltagea [KV] | 2.5 | 2.5 | 2.5 |
| 导线截面积 | Conductor cross section | - | | |
| 硬质/柔性导线 | Solid/flexible [mm ²] | | | |
| 材料 | | Material | | |
| 绝缘材料 | Insulation Material | PA66 | | |
| 阻燃等级 | Imflamability | UL94V-0 | | |
| 导体材料 | Contacto Material | 铜合金 Copper alloy | | |
| 导体表面镀层 | Contactive Coating | 镀锡 Sn Plated | | |
| 一般参数 | | Other Data | | |
| 间距 | Pitch [mm] | 3.81 | | |
| 极数 | Poles [P] | 02~24 | | |
| 剥线长度 | Stripping Length [mm] | - | | |
| 螺丝 | Screw/扭矩 Torque(Max) [N.m] | - | | |
| 工作温度 | Operating temperatur [°C] | -40~+105 | | |
| 引针尺寸 | Pin Dimensions [mm] | 0.80x0.80 | | |
| PCB板孔径 | PCB Hole Diameter [mm] | 1.40 | | |