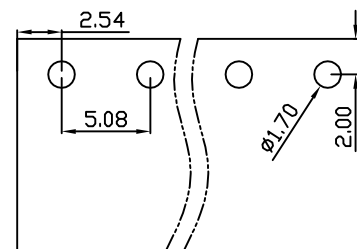
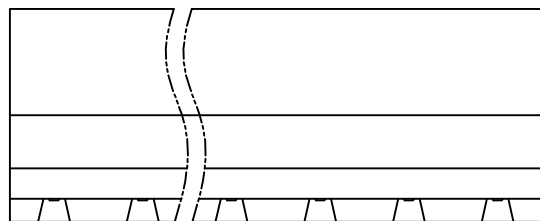


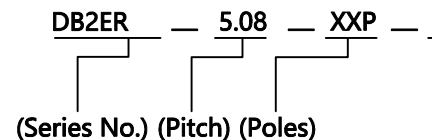
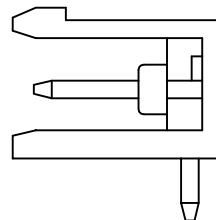
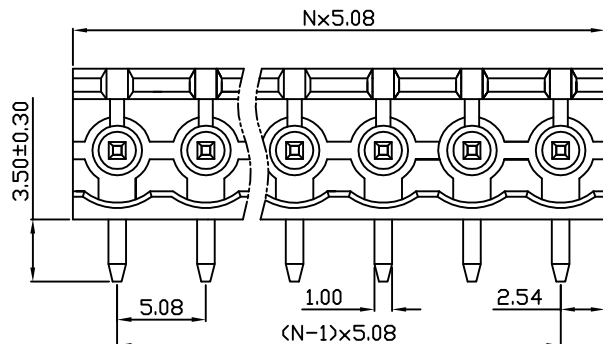
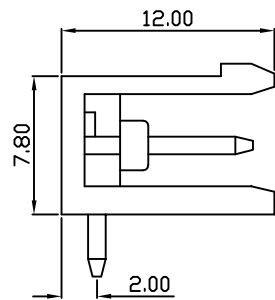
未注公差/General tolerances(mm)

0	>3	>6	>10	>18	>30	>50	>80	>120	>180	>250	>315	>400	>500	0.1/10 ±2'
~3	~6	~10	~18	~30	~50	~80	~120	~180	~250	~315	~400	~500		
±0.12	±0.18	±0.22	±0.26	±0.31	±0.37	±0.57	±0.80	±0.93	±1.05	±1.15	±1.60	±2.20	±2.50	

REV	ECN	DESCRIPTION	DRFT	DATE



PCB Layout



(Color):GN:(Green), BK:(Black), BU:(Blue), RD:(Red), GY:(Gray)  
OG:(Orange), WT:(White), YL:(Yellow), CR:(Clear)

UL 标准/UL Standard:	B	C	D
额定电压/电流/Rated Voltage(V)/Current(A)	300/15	/	300/10
IEC 标准/IEC Standard:			
过压类别/Overvoltage Category/ 污染等级/Pollution Degree	III/3	III/2	II/3
额定电压/电流/Rated Voltage(V)/Current(A)	250/15	320/15	630/15
额定脉冲电压(KV)/Rate Impulse Voltage(KV)	4.0	4.0	4.0
螺丝扭矩/Torque Tightening(N·m/Lb.in)		/	
线径范围(硬线和软线)/Wire Range(rigid and flexible)(mm <sup>2</sup> /AWG)		/	
间距/Pitch(mm)/线数范围/Poles	5.08/02-24		
剥线长度/Stripping length(mm)		/	
使用温度范围/Operating temperature(°C)	-40~+105		
符合RoHS环保要求/Conform to RoHS	Yes		

Pin header	Copper alloy	Sn Plated
Housing	PA66	UL94V-0
NAME OF PART	MATERIAL	NOTES

MAT NO.: /	ORABO 宁波地博电气有限公司 NINGBO DORABO ELECTRICAL CO., LTD		
STATUS: /	NAME: DB2ER-5.08-XXP-C		
APPD: J.Ting Chen 2025.07.10	DRAWING NO.: /		
CHKD: Duck Mao 2025.07.10	REV: /		M1
DRFT: Steven Lu 2025.07.10	TYPE: CUSTOMER_DRAWING		SCALE: 1:1 SHEET 1/1
SIZE: A4	mm (inch)		