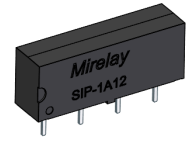


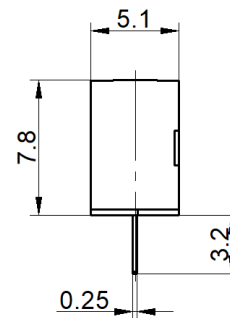
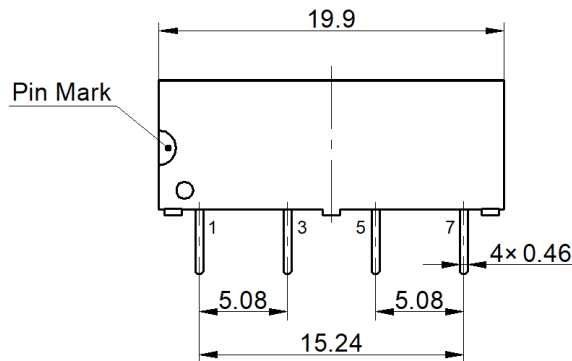
SIP-1A12

- Hermetically sealed for long life
- Low Contact Resistance
- Excellent Lifetime Characteristics
- Custom Design Available

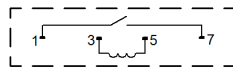


Outline Dimension

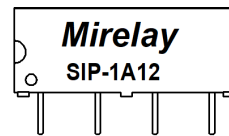
Unit: mm DIM Tolerance: ±0.3



Layout[Top View]



Marking



Coil Parameters (at 20°C)

Nominal Coil Voltage	Nominal Current	Coil Resistance	Max Pull-in Voltage	Min Drop-out Voltage
12 VDC	12 mA	1000±10% Ω	8.6 VDC	1.5 VDC

Contact Parameters

Contact Form	1 Form A	Max Contact Rating	10 W
Max Switch Voltage	200 VDC	Max Switch Current	0.5 A
Max Carrying Current	1.0 A	Min Breakdown Voltage	250 VDC
Max Contact Resistance	150 mΩ	Life Expectancy (Electrical) (at 10 VDC 10mA)	5×10 ⁷ ops

Electrical Specifications

Dielectric Strength (Static,min)	Open contacts	250 VDC	Insulation Resistance (min./typ.) Rh<45%, 200V Test Voltage	Open contacts	1×10 ¹⁰ Ω
	Contact to coil	1.4 kVDC		Contact to coil	1×10 ¹⁰ Ω
Operate Time,incl.Bounce	0.3 ms		Capacitance	Across Open Switch	1.0 pF
Reset Time	0.3 ms				

Environmental data

Vibration (10 to 2KHz 1.5mm)	20 G	Shock (1/2 sine wave duration 11ms)	50 G
Operating Temperature	-40°C ~ 85°C	Storage Temperature	-40°C ~ 105°C
Soldering Temperature (5 sec. dwell)	260°C	Washability	fully sealed

Example of order marking

Product model	Contact form	Nominal Coil Voltage	Option	Special code
SIP	1A: 1 Form A	12: 12 VDC	Nil	Nil

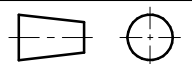
Remark:

RoHS

Make	Li Linmao
Checke	Hu Shu
Approved	Dong Hu
Date	21th, Feb, 2025

TITLE
High Voltage Reed Relay

P/N
SIP-1A12



Version: 04
Page: 1/1