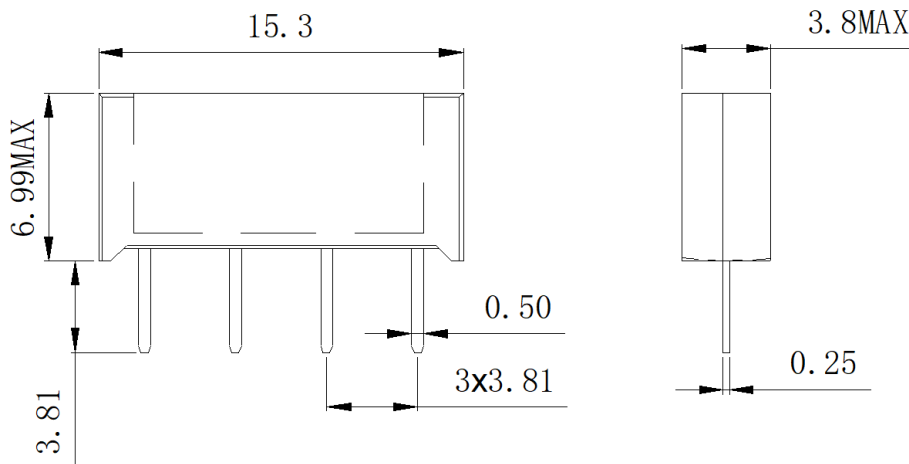


MSIP-1A05S

- Hermetically sealed for long life
- Low Contact Resistance
- Excellent Lifetime Characteristics
- Custom Design Available

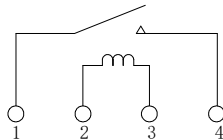
[Outline Dimension]

Unit: mm Scale: 1/1

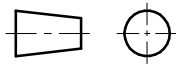


[Pin Layout]

[Wiring diagram]


Order Information
MSIP-1A05S

Coil Parameters		Relay Parameters	
1 Nominal coil voltage	5 VDC	1 Min Breakdown Voltage	250 VDC
2 Max Operating voltage	15 VDC	2 Dielectric Strength coil/contact	1.5K VDC
3 Max Pull-in voltage	3.8 VDC	3 Insulation Resistance coil/contact	1.00E+13ohm
4 Min Drop-out voltage	0.4 VDC	4 Operate Time, incl. Bounce	0.5ms
5 Coil Resistance	500 ohm	5 Reset Time	0.3ms
Contact Parameters		6 Capacitance Across Contacts	0.3pF
1 Contact Form	1 Form A	7 Storage Temperature	-40~+125°C
2 Max Contact Rating	10 W	8 Operating Temperature	-40~+125°C
3 Max Switch Voltage	250V DC	9 Soldering Temperature	5 sec. max 260°C
4 Max Switch Current	0.5 A		
5 Max Carrying Current	1.0 A		
6 Min Breakdown Voltage	250 VDC		
7 Max Contact Resistance	100 mohm		

Version: 01	Designed by		TITLE High Voltage Reed Relay	
	Checked by			
	Approved by		P/N MSIP-1A05S	Scale: 1:1
	Date	11th,Sept,2024		Page: 1/1