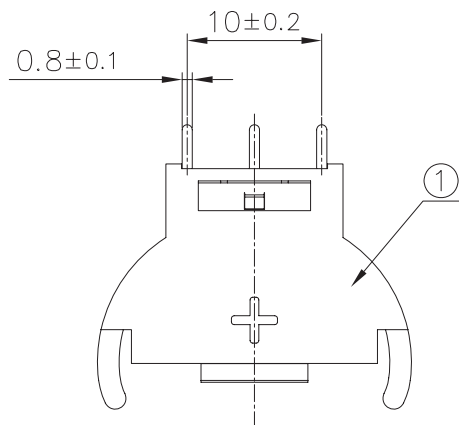


PCB Holes Diagram
Top View



NOTE:

1.MATERIAL:

- a.HOUSING:THERMOPLASTIC GLASS FIBRE UL94V-0
- b.CONTACT:PHOSPHOR BRONZE
(SURFACE PLATING: Ni 100u")
- SEE ORDERING INFORMATION

2.ELECTRIC:

- a.CONTACT RESISTANCE: 30 MILLIOHMS MAX
- b.INSULATION RESISTANCE: 1000 MEGA OHMS MIN
- c.DIELECTNIC VOLTAGE: 750V AC ONE SEC LEVEL
- d.OPERATING TEMPERATURE: -55°C~ +85°C

Tolerance:Unless otherwise specified

3	TERMINAL-2	PHOSPHOR BRONZE	Ni-Plated
2	TERMINAL-1	PHOSPHOR BRONZE	Ni-Plated
1	HOUSING	PA66	BLACK
NO.	PART NAME	MATERIAL	COLOR/FINISHED



深圳市华宇创精密电子有限公司

TOLERANCE: X.X ±0.30 X.XX ±0.25 X.XXX ±0.15 X' ±2' X.X' ±0.5'	DRAWN BY : 陈一鸣	DATE : 2014-02-23	PART NAME: 三PIN立式电池座
	CHECKED BY: 马跃	DATE : 2014-02-23	PART NO. HYCW-BS-5-1-CR2032
 UNIT: mm [inch] SCALE:1:1 SIZE: A4	APPROVED BY: 柯南	DATE : 2014-02-23	DRAW NO: HYC-180508571
			SHEET NO. 1 OF 1