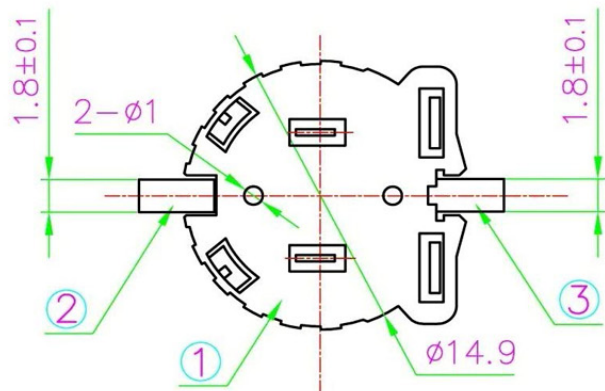
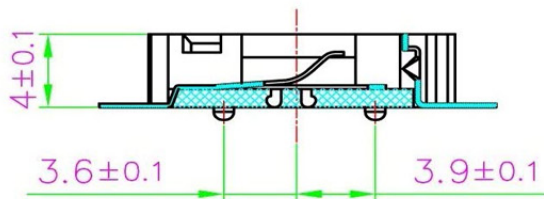


PCB Holes Diagram

Top View



Main specification:

1. Contact resistance: 30mΩ min.
2. Insulation resistance: 1000MΩ max.
3. Withstand voltage: 500V AC for 1 minute.

Tolerance: Unless otherwise specified

	≤1.5	±0.1	1.5~10:	±0.2	>10:	±0.3
3	TERMINAL-2	QSn6.5-0.2	Au-Plated			
2	TERMINAL-1	QSn6.5-0.2	Au-Plated			
1	HOUSING	xqc;PPA	BLACK			
NO.	PART NAME	MATERIAL	COLOR/FINISHED			

**深圳市华宇创精密电子有限公司**

TOLERANCE: X.X ±0.30 X.XX ±0.25 X.XXX ±0.15 X' ±2' X.X' ±0.5'	DRAWN BY : 陈一鸣	DATE : 2014-02-23	PART NAME: CR-1220 贴片	
	CHECKED BY: 马跃	DATE : 2014-02-23	PART NO. HYCW-CR1220-2	MOLD NO.
UNIT: mm [inch] SCALE:1:1 SIZE: A4	APPROVED BY: 邱国夷	DATE : 2014-02-23	DRAW NO: HYC-CR16080910	SHEET NO. 1 OF 1