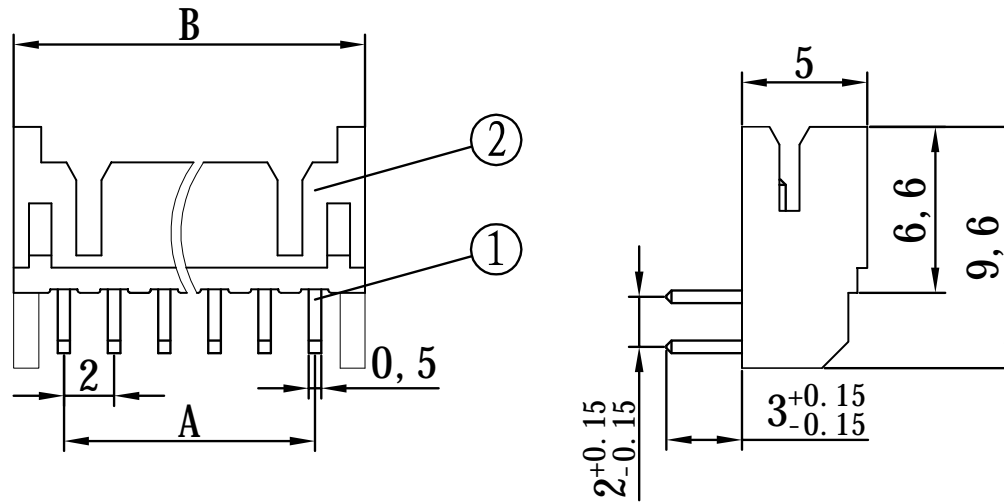


修订 REV	标记 MARK	修改摘要 REVISION DESCRIPTION	签名 SIGNATURE	日期 DATE
AO		NEW RELEASE	黄艳兰	2012-03-10



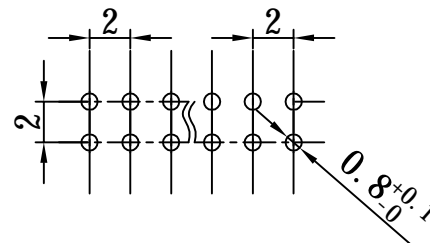
Ordering Information & Dimensions

PIN	Dimensions	
	A	B
2X02P	2.00	6.00
2X03P	4.00	8.00
2X04P	6.00	10.00
2X05P	8.00	12.00
2X06P	10.00	14.00
2X07P	12.00	16.00
2X08P	14.00	18.00
2X09P	16.00	20.00
2X10P	18.00	22.00
2X11P	20.00	24.00
2X12P	22.00	26.00
2X13P	24.00	28.00
2X14P	26.00	30.00
2X15P	28.00	32.00
2X16P	30.00	34.00
2X17P	32.00	36.00
2X18P	34.00	38.00
2X19P	36.00	40.00
2X20P	38.00	42.00

技术参数 SPECIFICATION

间距: 2.0  
Pitch: 2.0  
工作温度: -25℃ ~ +85℃  
Working temperature: -25℃ ~ +85℃  
额定电压: 250V DC/AC (有效值)  
Voltage rating: 250V DC/AC (rms)  
额定电流: 3.0A  
Current rating: 3.0A  
接触电阻: < 0.02Ω  
Contact resistance: < 0.02Ω  
绝缘电阻: ≥ 1000MΩ  
Insulation resistance: ≥ 1000MΩ  
耐压: 1000V AC (有效值)  
Withstand voltage: 1000V AC (rms)  
焊接温度: 260 ± 5℃  
Soldering temperature: 260 ± 5℃

印制板开孔尺寸 (±0.1)



**深圳市华德共创科技有限公司**  
Shenzhen Huade co-create Technology Co.,LTD  
TEL : 0755-27111216 FAX : 0755-29940187

-TOLERANCES- UNLESS OTHERWISE SPECIFIED 公差参数表					TITLE: 产品名称: PHD2.0 弯针			
X.X	±0.30	X.X°	±3°	APPD: 核准: 谢亮	PART NO: 产品编号: HDGC2006WR-2xXP			
X.XX	±0.30	X.XX°	±2°	CHECK: 校对: 王建业	DATE	SCALE	UNIT	CODE NUMBER
X.XXX	±0.10	X.XXX°	±1°	DRAW: 绘图: 黄艳兰	2012-03-10	4:1	mm	A126