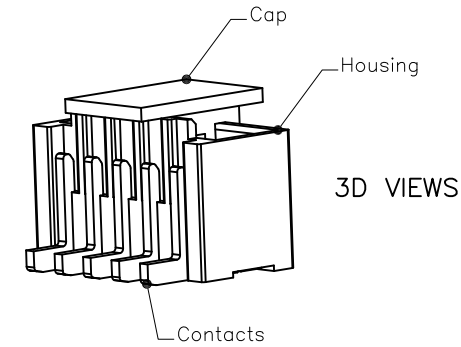
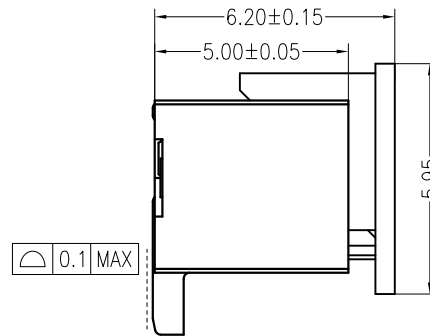
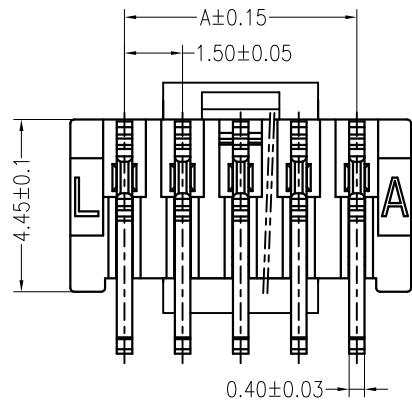
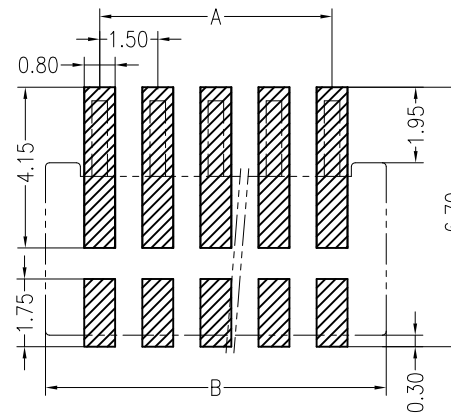
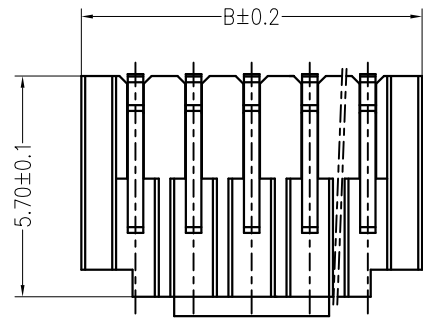


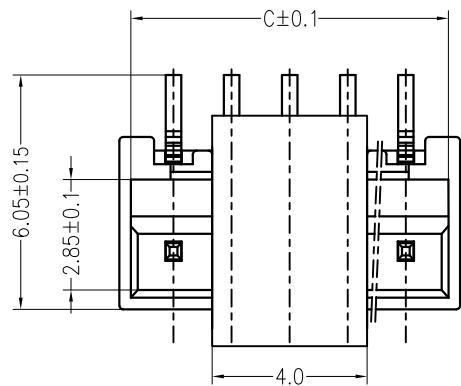
修订 REV	标记 MARK	修改摘要 REVISION DESCRIPTION	签名 SIGNATURE	日期 DATE
AO		NEW DWG		2021-03-17



3D VIEWS



SUGGESTED PCB LAYOUT



PIN.	DIM A	DIM B	DIM C
2pin	1.50	4.30	3.70
3pin	3.00	5.80	5.20
4pin	4.50	7.30	6.70
5pin	6.00	8.80	8.20
6pin	7.50	10.30	9.70
7pin	9.00	11.80	11.20
8pin	10.50	13.30	12.70
9pin	12.00	14.80	14.20
10pin	13.50	16.30	15.70
11pin	15.00	17.80	17.20
12pin	16.50	19.30	18.70
13pin	18.00	20.80	20.20
14pin	19.50	22.30	21.70
15pin	21.00	23.80	23.20

Specifications:

Contact resistance: $\leq 20m\Omega$
 Insulation resistance: $\geq 1000M\Omega$
 Rated voltage: 350V AC DC
 Rated current: 3.0A AC DC
 Withstand voltage: 500V AC/minute
 Temperature range: $-25^{\circ}C \sim +85^{\circ}C$
 Housing: LCP UL94V-0, Natural
 Cap: LCP UL94V-0, Natural
 Contacts: Phosphor bronze/MATTE Sn



深圳市华德共创科技有限公司
 Shenzhen Huade co-create Technology Co., LTD
 电话: 0755-27111216 传真: 0755-29940187

-TOLERANCES- UNLESS OTHERWISE SPECIFIED 公差参数表				TITLE: 产品名称: MX1.5立贴				
X.X	± 0.30	X.X*	$\pm 3^{\circ}$	APPD: 核准: 谢亮	PART NO: 产品编号: HDGC1502WV-S-XP			
X.XX	± 0.30	X.XX*	$\pm 2^{\circ}$	CHECK: 校对: 王建业	DATE	SCALE	UNIT	CODE NUMBER
X.XXX	± 0.10	X.XXX*	$\pm 1^{\circ}$	DRAW: 绘图: 黄艳兰	2021-03-17	1:1	mm	A018