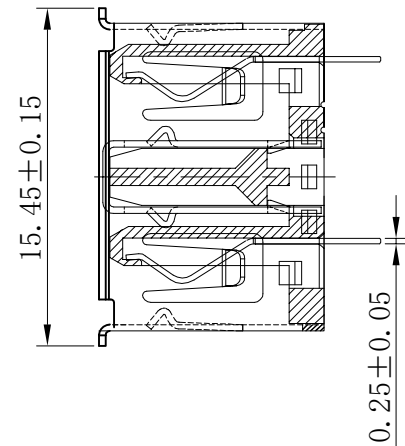
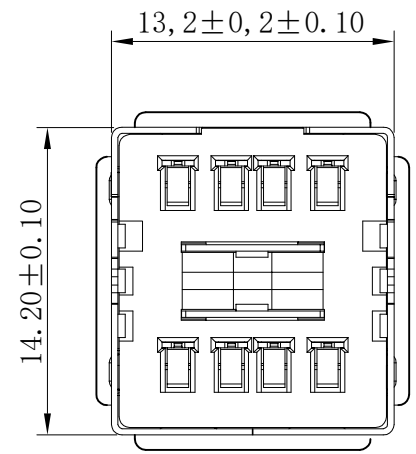
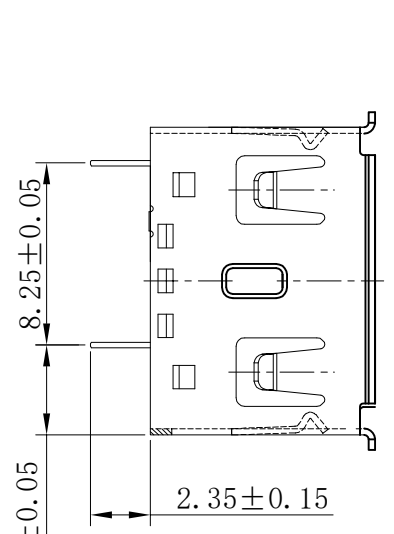
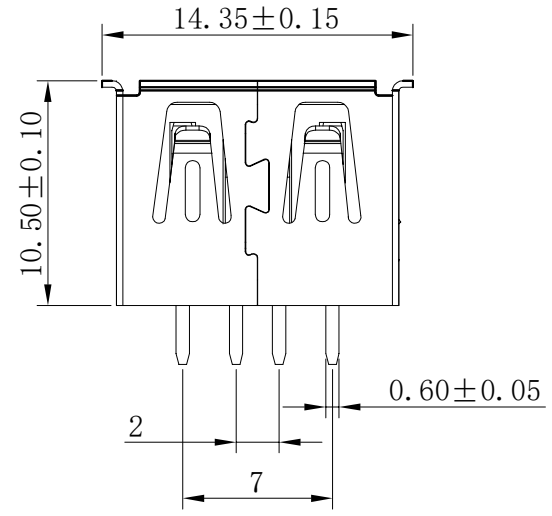
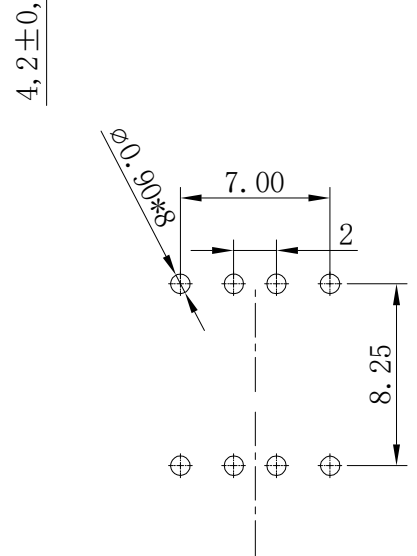


修 订	标 记	修 改 描 述	签 名	日 期
REV NO		NEW DRG		2016-03-12



SPECIFICATIONS:

- ELECTRICAL CHARACTERISTICS:
  - CURRENT RATING: 1.8A (PIN1,4) ; OTHER CONTACTS 0.25A
  - CONTACT RESISTANCE: 30mΩ MAX.
  - DIELECTRIC WITHSTANDING VOLTAGE: 100V AC FOR 1 MINUTE
  - INSULATION RESISTANCE: 100MΩ MIN
- MECHANICAL CHARACTERISTICS:
  - INSERTION FORCE : 1.0~3.57 Kgf
  - WITHDRAWAL FORCE : 1.0~3.57 Kgf
- DURABILITY: 1500 CYCLES.
- TO CONFORM TO SINGATRON HAZARDOUS SUBSTANCE FREE SPEC.
- HALOGEN PRODUCT IDENTIFICATION LABEL ON PACKAGING:



REMARK	Pin Number	Signal ASSIGNMENT
USB2.0 CONTACT PIN	PIN 1	VBUS
	PIN 2	D-
	PIN 3	D+
	PIN 4	GND

D	MID SHELL	1	SPCC T=0.30	NICKEL 60u"MIN
C	TERMINAL	8	C2680 T=0.25	G/F ON MATING AREA, 100u"MIN TIN PLATED ON SOLDERING 50u" NICKEL UNDER PLATING OVERALL
B	SHELL	1	SPCC T=0.30	NICKEL 60u"MIN
A	HOUSING	1	PBT UL94-V0	White
NO	DESCRIPTION	QTY	MATERIAL	PLATING & COLOR

**HDC** 深圳市华德共创科技有限公司  
Shenzhen Huade co-create Technology Co.,LTD  
电话：0755-27111216 传真：0755-29940187

-TOLERANCES- UNLESS OTHERWISE SPECIFIED 公差参数表		TITLE: 产品名称: USB AF10.5双层卷边黑胶	
X.X	±0.30	X.X*	±3°
X.XX	±0.20	X.XX*	±2°
X.XXX	±0.10	X.XXX*	±1°
APPD: 核准:	王建国	PART NO: 产品编号:	USB-HXS-105DIP
CHECK: 校对:	黄艳兰	DATE	SCALE
DRAW: 绘图:	2016-03-12	UNIT	CODE NUMBER
	1:1	mm	A001

由 Autodesk 教育版产品制作

由 Autodesk 教育版产品制作

Recommended P.C.B Layout  
TOLERANCE=±0.05 THICKNESS=1.0mm