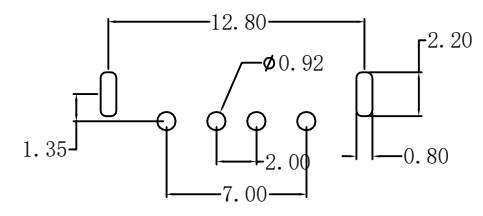
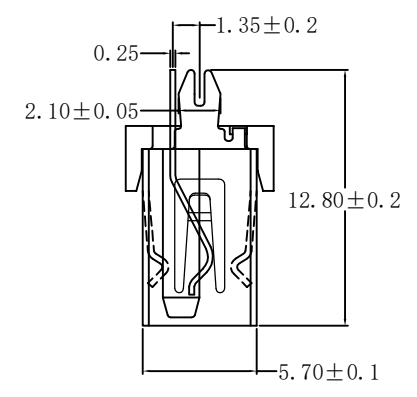
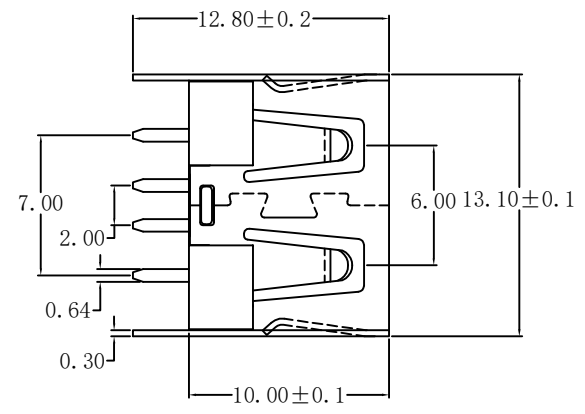
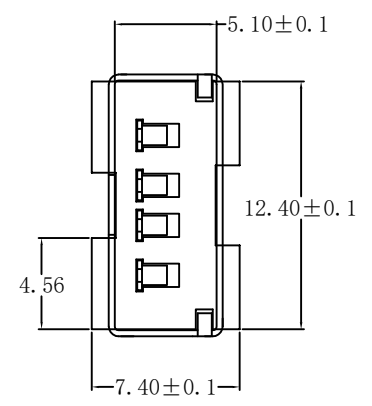


| 修 订 | 标 记  | 修 改 描 述              | 签 名       | 日 期        |
|-----|------|----------------------|-----------|------------|
| REV | MARK | REVISION DESCRIPTION | SIGNATURE | DATE       |
| AO  |      | NEW DWG              |           | 2016-03-12 |



规格说明:Specifications:

电气特性:Electrical:

1. 额定电流: Current Rating  
1.5A/contact terminal
2. 额定电压: Voltage Rating  
30V DC
3. 接触阻抗: Contact Resistance  
30 milliohms MAX
4. 耐电压: Dielectric Withstanding Voltage:  
500 V AC AT Sea Level
5. 绝缘阻抗: Insulation Resistance:  
1000MEGA ohms MIN

物理性能: Mechanical:

1. 插拔力: Connector Mate and Unmate Force  
Mate force: 3.57kgf (MAX)  
Unmate force: 1.02kgf (MIN)
2. 端子保持力: Terminal Retention  
1.2kgf (MIN)

原材料: Material:

1. 塑胶: Housing:  
Hing Temperature Tnermaplastics,  
PBT
2. 端子: Contact: Copper Alloy C2680
3. 外壳: Shell: Copper Alloy C2680/SPCC

电镀: Finish:

1. 端子: Contact: Plated Gold in Mating Area;  
Tin On Solder Talls
2. 外壳: Shell:  
Nickel Plating

|   |            |   |                                 |   |                     |
|---|------------|---|---------------------------------|---|---------------------|
|  |            | <b>深圳市华德共创科技有限公司</b><br>Shenzhen Huade co-create Technology Co.,LTD<br>电话: 0755-27111216 传真: 0755-29940187  |                                 |   |                     |
| -TOLERANCES-<br>UNLESS OTHERWISE SPECIFIED<br>公差参数表                                   |            |   |                                 | TITLE: USB AF10.0直插平口白胶PBT0.25<br>产品名称: |                     |
| X.X ±0.30   | X.X* ±3°   | APPD:<br>核准:  | PART NO:<br>产品编号: USB-ZD-123DIP |   |                     |
| X.XX ±0.20  | X.XX* ±2°  | CHECK:<br>校对: 王建业   | DATE                            | SCALE                                   | UNIT                |
| X.XXX ±0.10   | X.XXX* ±1° | DRAW:<br>绘图: 黄艳兰  | 2016-03-12                      | 1:1                                     | mm                  |
|   |            |   |                                 |   | CODE NUMBER<br>A001 |

由 Autodesk 教育版产品制作

由 Autodesk 教育版产品制作