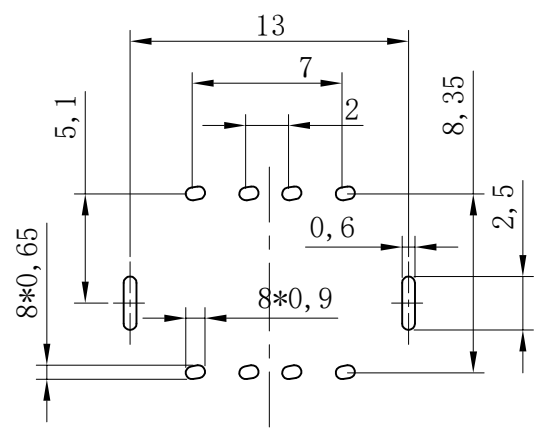
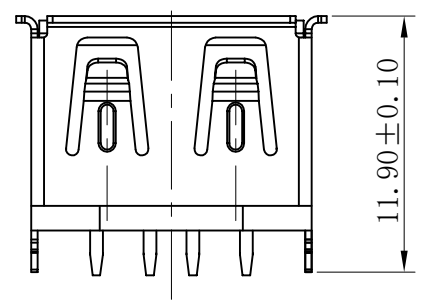
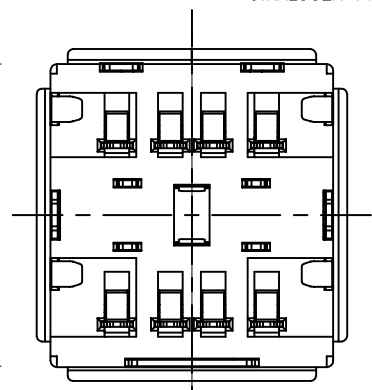
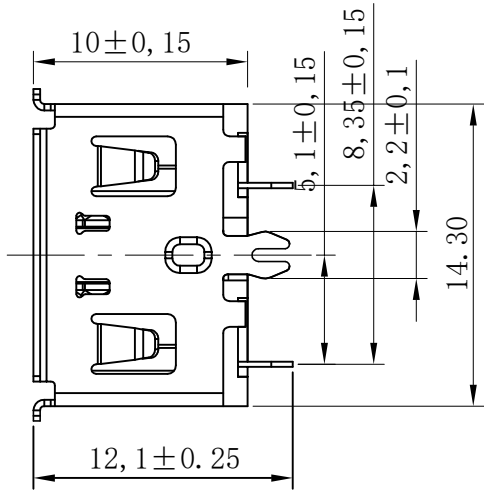
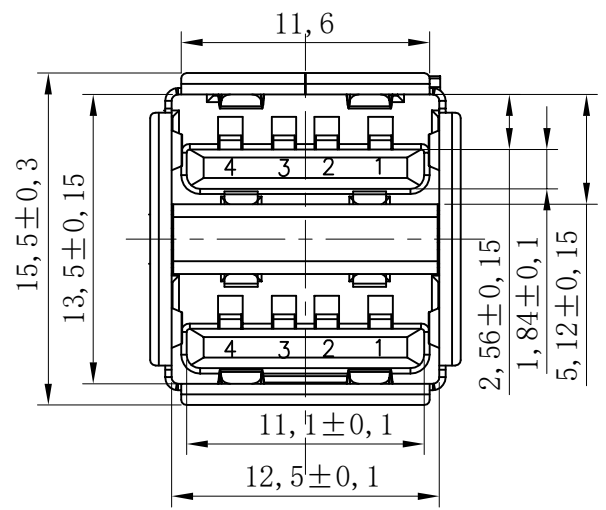
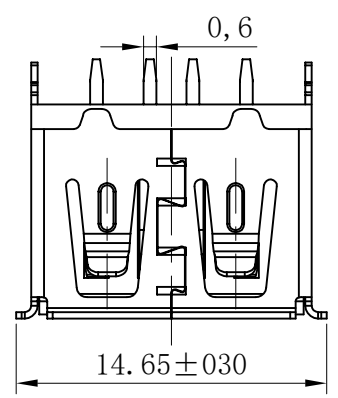


修订	标记	修改摘要	签名	日期
REV NO	MARK	REVISION DESCRIPTION	SIGNATURE	DATE
		NEW DRG		2016-03-12



Recommended P.C.B Layout
TOLERANCE = ±0.05 THICKNESS = 1.0mm

- SPECIFICATIONS:
- ELECTRICAL CHARACTERISTICS:
 - CURRENT RATING: 1.8A (PIN1,4) ; OTHER CONTACTS 0.25A
 - CONTACT RESISTANCE: 30mΩ MAX.
 - DIELECTRIC WITHSTANDING VOLTAGE: 100V AC FOR 1 MINUTE
 - INSULATION RESISTANCE: 100MΩ MIN
 - MECHANICAL CHARACTERISTICS:
 - INSERTION FORCE : 1.0~3.57 Kgf
 - WITHDRAWAL FORCE : 1.0~3.57 Kgf
 - DURABILITY: 1500 CYCLES.
 - TO CONFORM TO SINGATRON HAZARDOUS SUBSTANCE FREE SPEC.
 - HALOGEN PRODUCT IDENTIFICATION LABEL ON PACKAGING:

REMARK	Pin Number	Signal ASSIGNMENT
USB2.0 CONTACT PIN	PIN 1	VBUS
	PIN 2	D-
	PIN 3	D+
	PIN 4	GND

NO	DESCRIPTION	QTY	MATERIAL	PLATING & COLOR
D	MID SHELL	1	SPCC T=0.30	NICKEL 60u"MIN
C	TERMINAL	8	C2680 T=0.25	G/F ON MATING AREA, 100u"MIN TIN PLATED ON SOLDERING 50u" NICKEL UNDER PLATING OVERALL
B	SHELL	1	SPCC T=0.30	NICKEL 60u"MIN
A	HOUSING	1	PBT UL94-V0	White



深圳市华德共创科技有限公司
Shenzhen Huade co-create Technology Co., LTD
电话: 0755-27111216 传真: 0755-29940187

-TOLERANCES- UNLESS OTHERWISE SPECIFIED 公差参数表		TITLE: 产品名称: USB AF10.0双层卷边鱼叉脚白胶	
X.X	±0.30	X.X*	±3°
X.XX	±0.20	X.XX*	±2°
X.XXX	±0.10	X.XXX*	±1°
APPD: 核准:		PART NO: 产品编号: USB-HXS-136DIP	
CHECK: 校对: 王建业		DATE	SCALE
DRAW: 绘图: 黄艳兰		UNIT	CODE NUMBER
		2016-03-12	1:1
		mm	A001