

| REV | MARK | 修改摘要 REVISION DESCRIPTION | 签名 SIGNATURE | 日期 DATE |
|-----|------|------------------------------|-----------------|------------|
| AO | | NEW DWG | | 2016-03-12 |

规格说明: Specifications:

电气特性: Electrical:

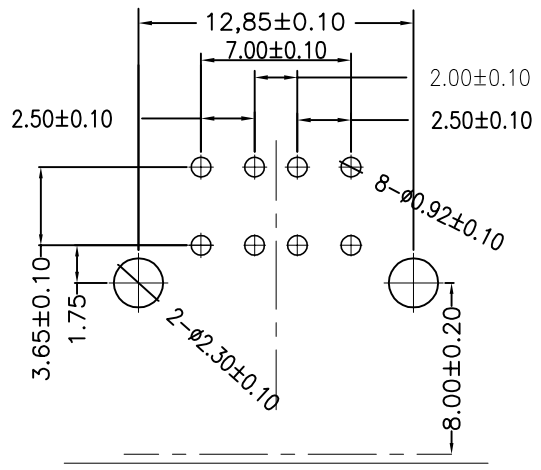
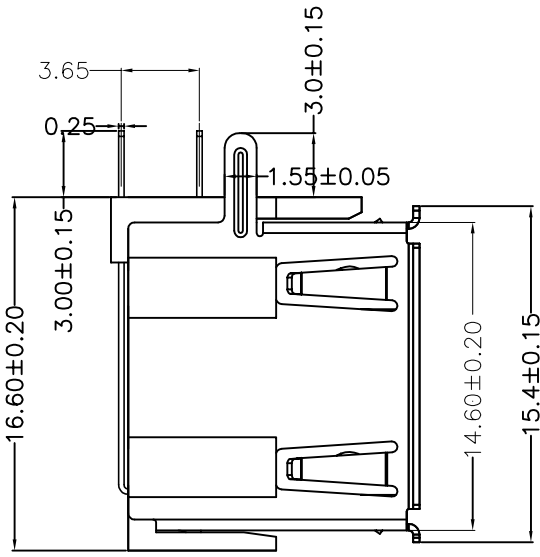
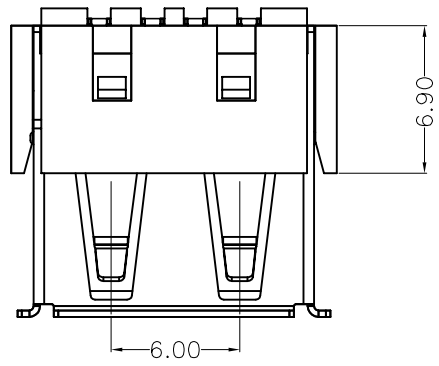
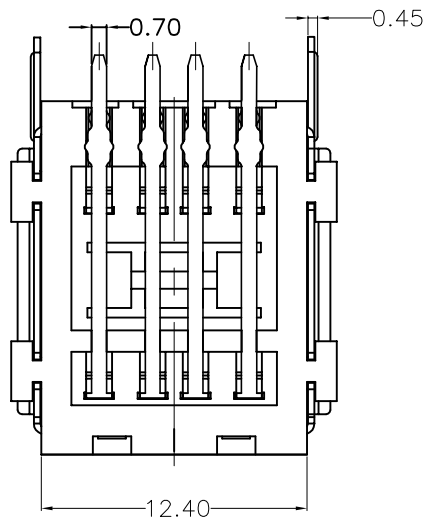
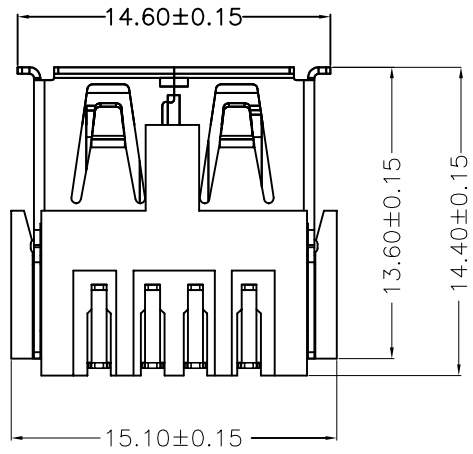
1. 额定电流: Current Rating
1.5A/contact terminal
2. 额定电压: Voltage Rating
30V DC
3. 接触阻抗: Contact Resistance
30 milliohms MAX
4. 耐电压: Dielectric Withstanding Voltage:
500 V AC AT Sea Level
5. 绝缘阻抗: Insulation Resistance:
1000MEGA ohms MIN

原材料: Material:

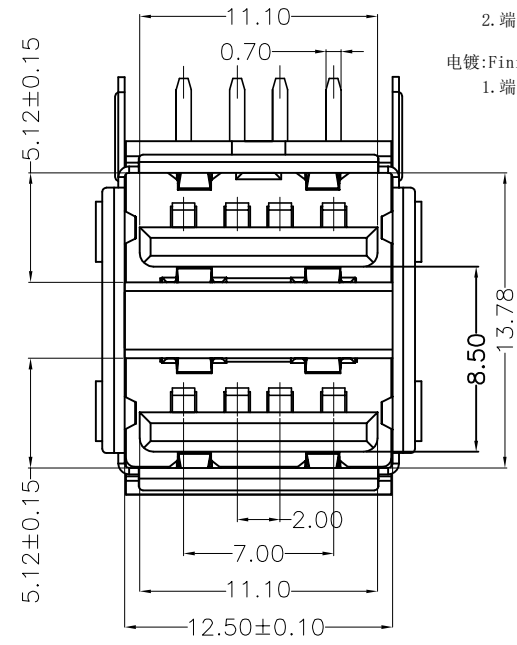
1. 塑胶: Housing:
Hing Temperature Thermoplastics,
2. 外壳: Shell: SPCC
Nickel Plating
2. 端子: Contact: Copper Alloy C2680

电镀: Finish:

1. 端子: Contact: Plated Gold in Mating Area;
Tin On Solder Talls



Recommended P.C.B Layout



深圳市华德共创科技有限公司
Shenzhen Huade co-create Technology Co., LTD
电话: 0755-27111216 传真: 0755-29940187

| -TOLERANCES- UNLESS OTHERWISE SPECIFIED 公差参数表 | | TITLE: 产品名称: USB AF13.5双层卷边黑胶 | |
|---|------------|----------------------------------|----------------------------------|
| X.X ±0.30 | X.X* ±3° | APPD: 核准: | PART NO: 产品编号: USB-HXS-110DIP |
| X.XX ±0.20 | X.XX* ±2° | CHECK: 校对: 王建业 | DATE |
| X.XXX ±0.10 | X.XXX* ±1° | DRAW: 绘图: 黄艳兰 | SCALE |
| | | | UNIT |
| | | | CODE NUMBER |
| | | | 2016-03-12 |
| | | | 1:1 |
| | | | mm |
| | | | A001 |

由 Autodesk 教育版产品制作

由 Autodesk 教育版产品制作