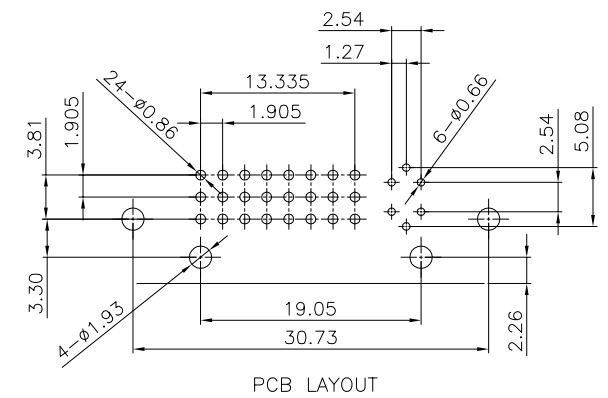
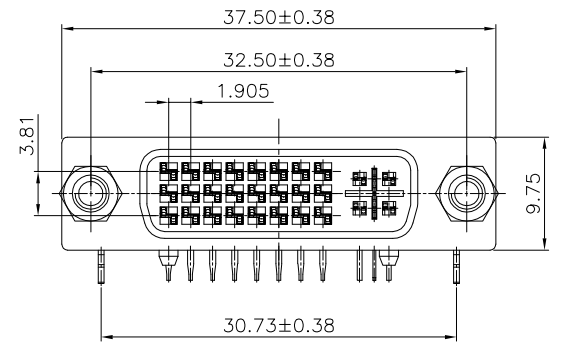
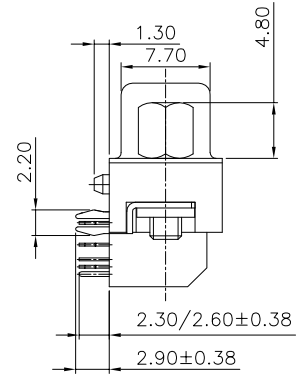
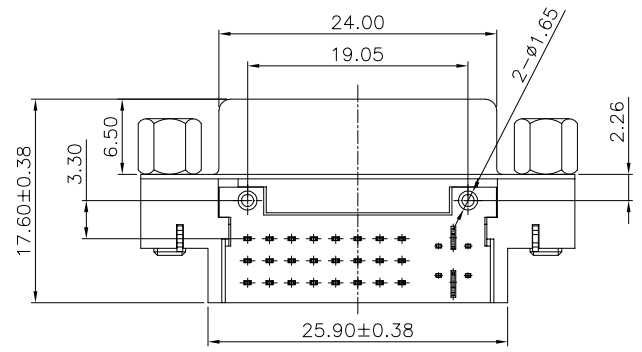




A B C D E F

修订 REV NO	标记 MARK	修改摘要 REVISION DESCRIPTION	签名 SIGNATURE	日期 DATE
		NEW DRG		2016-03-12



- NOTE:
- 一、MATERIALS:
- Housing: SEE PART NO. Color: SEE PART NO.
 - Cover: SEE PART NO. Color: SEE PART NO.
 - Contacts: Brass
 - Shell: SPCC
 - Board Lock: SPCC
 - Rivet: Copper Alloy
 - Screw: SPCC Or Copper Alloy
- 二、FINISH:
- Contacts: Gold Plated on Contact Area
Sn Plated on Solderails
Nickel Under Plated Over All
 - Shell: Nickel Plated
 - Board Lock: Sn Plated
 - Rivet: Nickel Plated
 - Screw: Nickel Plated



		深圳市华德共创科技有限公司 Shenzhen Huade co-create Technology Co.,LTD 电话: 0755-27111216 传真: 0755-29940187						
-TOLERANCES- UNLESS OTHERWISE SPECIFIED 公差参数表		 		TITLE: 产品名称: DVI24+5母座铆锁带螺丝4.8				
X.X	±0.30	X.X*	±3°	APPD: 核准:	PART NO: 产品编号: DVI-HX-107DIP			
X.XX	±0.20	X.XX*	±2°	CHECK: 校对: 王建业	DATE	SCALE	UNIT	CODE NUMBER
X.XXX	±0.10	X.XXX*	±1°	DRAW: 绘图: 黄艳兰	2016-03-12	1:1	mm	A001

A B C D E F