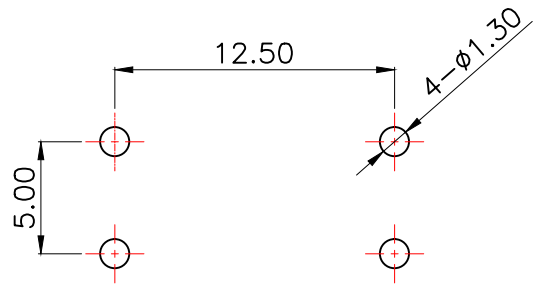
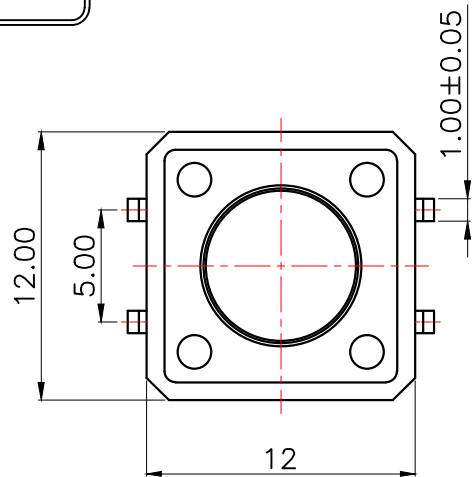
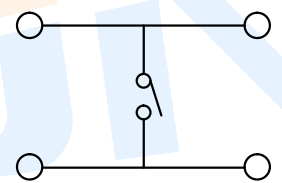


RoHS

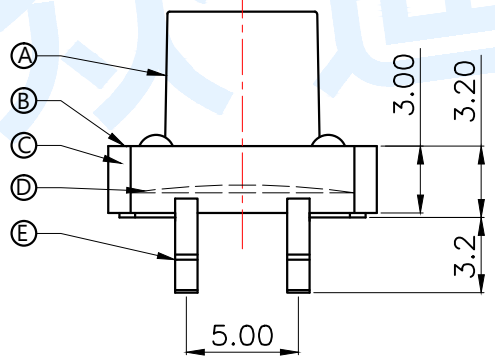
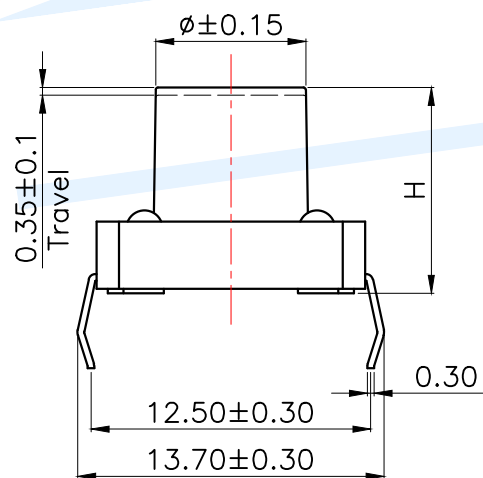


PCB Layout(Pattern side)



Circuit Diagram

TOTAL HEIGHT					
Code	H	φ	Code	H	φ
043	4.3	6.8	110	11	6.3
045	4.5	6.8	115	11.5	6.0
050	5.0	6.8	120	12	6.0
055	5.5	6.8	125	12.5	6.0
060	6.0	6.6	130	13	6.0
065	6.5	6.6	135	13.5	6.0
070	7.0	6.5	140	14	6.0
075	7.5	6.5	150	15	6.0
080	8.0	6.5	160	16	6.0
085	8.5	6.5	170	17	6.0
090	9.0	6.5	180	18	5.8
095	9.5	6.5	190	19	5.8
100	10	6.3	200	20	5.8
105	10.5	6.3	210	21	5.8



Product No. : TS-094-□□□

型号: \_\_\_\_\_  
 产品高度(H) :  
 043=4.3mm  
 045=4.5mm  
 050=5.0mm  
 :弹片  
 D2=SUS/1PCS  
 操作力度 :  
 120=120gf ±50gf  
 180=180gf ±50gf  
 250=250gf ±50gf

NO.	Name	Number	Qty	Materil	Remarks
⑤	Terminal		4	Brass	Silvering
④	Reed		1	SUS	Silver covered
③	Base		1	PPA	Black
②	Cover		1	SPCC	Plating Cu Sn
①	Button		1	PPA	Black

ZHONGDI® Zhongdi Electronic Technology Co., Ltd

design	date	name	TACT SWITCHS
Review	date	model	TS-094-□□-D□
Approved	date		

Drawing number: \_\_\_\_\_ Proportion 1:1 unit mm gage number A4

modify Review Approved Tolerance not specified

angle	±2'
10~30	±0.30
5~10	±0.20
~ 5	±0.10

项 目 Item	技术参数 Technical Parameter	标 准 Standard
电气性能 Electrical Properties	额定电流 Rated Current:	50mA
	额定电压 Rated voltage:	DC 12V
	接触电阻 Contact resistance:	≤100mΩ
	绝缘电阻 Insulation Resistance:	DC 250V 1 min ≥100MΩ
	耐压强度 Compressive strength:	AC 250V 50Hz/1 min
机械性能 Mechanical Properties	机械寿命 Mechanical life:	200,000 cycles Min
	操作行程 Operation Stroke:	0.35±0.10mm
环境性能 Environmental	工作温度 Operation temperature:	-25℃~ +75℃
	使用湿度 Use humidity:	≤85% RH
可靠性特性 Reliability Characteristics	回流焊 Reflow Soldering:	
	波峰焊 Wave soldering:	≤260℃ 时间 Time 3s
	手工焊 Manual welding:	≥260℃ 时间 Time 3s
应用领域 Application area	影音产品、电子玩具、数码产品、通讯产品、安防产品等。 Audiovisual products, electronic toys, digital products, communication products, security products, etc	



绝缘电阻测量仪



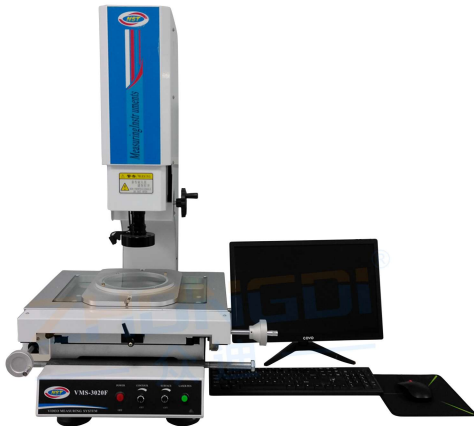
直流低电阻测试



耐电压测试



回流焊机



二次元测量



高精密寿命测试



盐雾测试



按键荷重曲线仪

ZHONGDI® Zhongdi Electronic Technology Co., Ltd

design	date	name	TACT SWITCHS
Review	date	model	TS-094-□□-D□
Approved	date	Drawing number:	