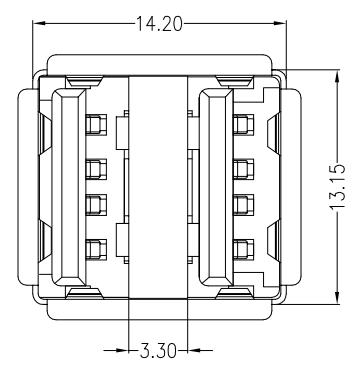
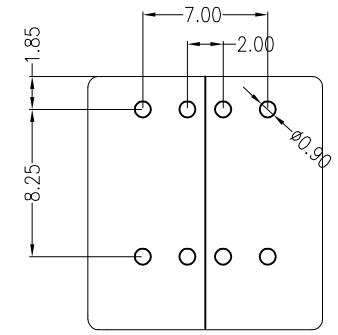
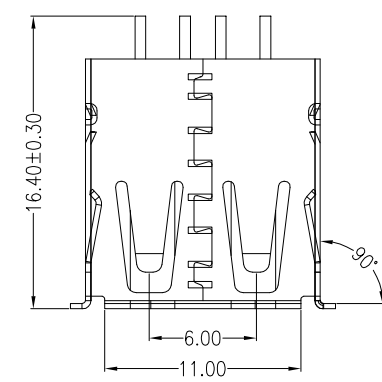
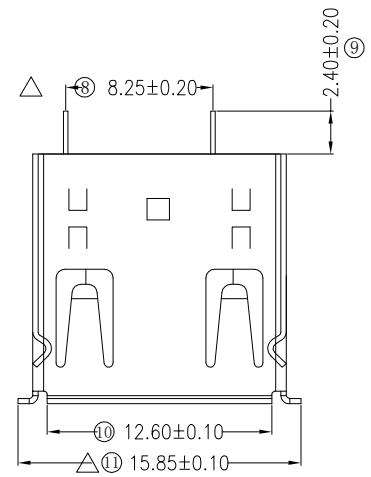
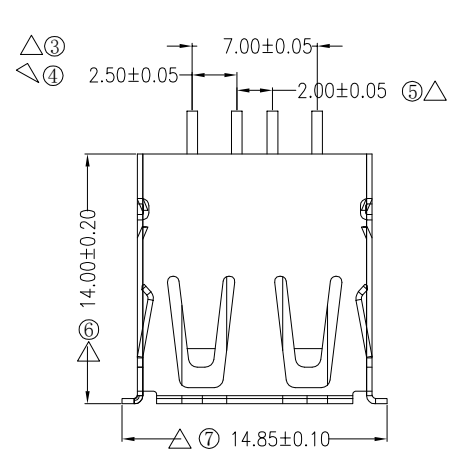
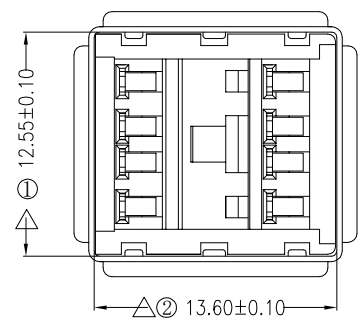


REV	MARK	REVISON DESCRIPTION	SIGNATURE	DATE
AO		NEW DWG		2016-03-12



规格说明:Specifications:

电气特性:Electrical:

1. 额定电流: Current Rating
1.5A/contact terminal
2. 额定电压: Voltage Rating
30V DC
3. 接触阻抗: Contact Resistance
30 milliohms MAX
4. 耐电压: Dielectric Withstanding Voltage:
500 V AC AT Sea Level
5. 绝缘阻抗: Insulation Resistance:
1000MEGA ohms MIN

原材料:Material:

1. 塑胶: Housing:
Hing Temperature Thermoplastics,
2. 外壳: Shell: SPCC
Nickel Plating
2. 端子: Contact: Copper Alloy C2680

电镀:Finish:

1. 端子: Contact: Plated Gold in Mating Area;
Tin On Solder Talls

Recommended P.C.B Layout

		深圳市华德共创科技有限公司 Shenzhen Huade co-create Technology Co.,LTD 电话: 0755-27111216 传真: 0755-29940187			
-TOLERANCES- UNLESS OTHERWISE SPECIFIED 公差参数表			TITLE: 产品名称: USB AF14.2双层卷边白胶		
X.X ±0.30	X.X* ±3°	APPD: 核准:	PART NO: 产品编号: USB-HXS-112DIP		
X.XX ±0.20	X.XX* ±2°	CHECK: 校对: 王建业	DATE	SCALE	UNIT
X.XXX ±0.10	X.XXX* ±1°	DRAW: 绘图: 黄艳兰	2016-03-12	1:1	mm
			CODE NUMBER	A001	

由 Autodesk 教育版产品制作

由 Autodesk 教育版产品制作