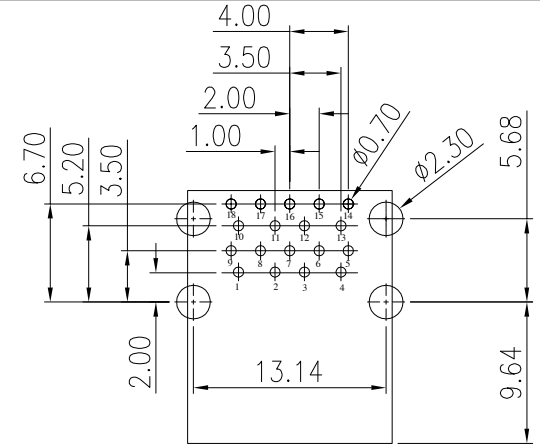
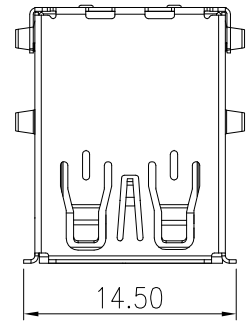


修改		标记	修改摘要	签名	日期
REV	NO	MARK	REVISION DESCRIPTION	SIGNATURE	DATE
			NEW DWG		2016-03-12



NOTE:

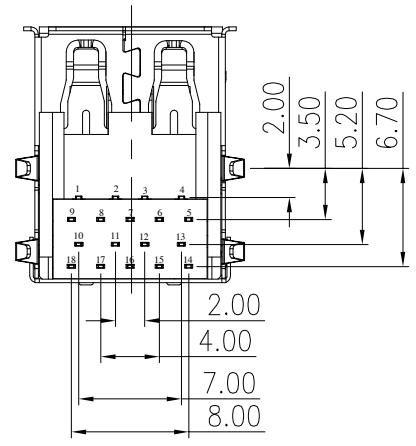
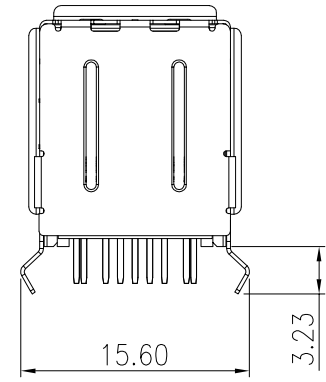
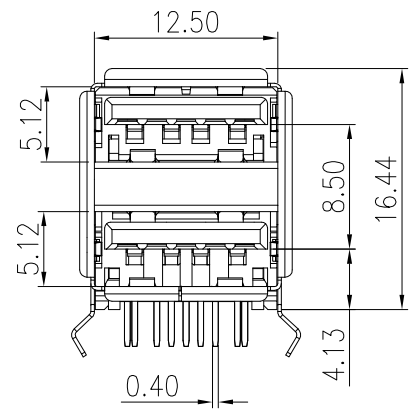
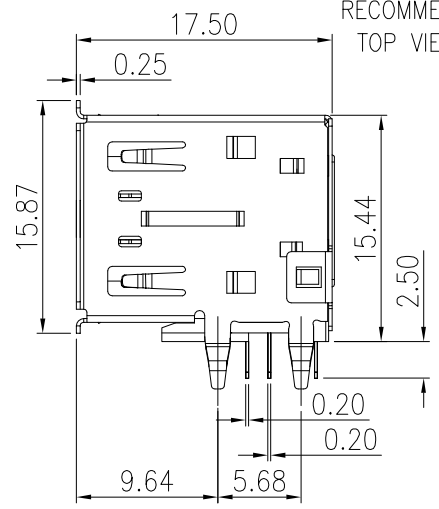
A. MATERIAL:

1. Housing: PA66/PBT UL94V-0 Blue
2. Cover: PA66/PBT UL94V-0 Blue
3. Contact: Copper Alloy
4. Shell: SUS201
5. Middle Spring: SUS201

B. PLATING:

1. Contact: Contact Area Gold Plated
Solder Area Sn(80u"Min) Plated
Under Plated Nickel(45u"Min)
2. Shell: Nickel(40u"Min) Plated

RECOMMENDED P.C.B HOLE LAYOUT
TOP VIEW(TOLERANCE:±0.05)



		深圳市华德共创科技有限公司 Shenzhen Huade co-create Technology Co.,LTD 电话: 0755-27111216 传真: 0755-29940187						
		TITLE: 产品名称: 双层USB3.0弯脚卷边PA66黑色插板						
-TOLERANCES- UNLESS OTHERWISE SPECIFIED 公差参数表		 		PART NO: 产品编号: USB-HX-18DIP				
X.X	±0.30	X.X*	±3°	APPD: 核准:	DATE	SCALE	UNIT	CODE NUMBER
X.XX	±0.20	X.XX*	±2°	CHECK: 校对: 王建业	2017-04-12	1:1	mm	A001
X.XXX	±0.10	X.XXX*	±1°	DRAW: 绘图: 黄艳兰				