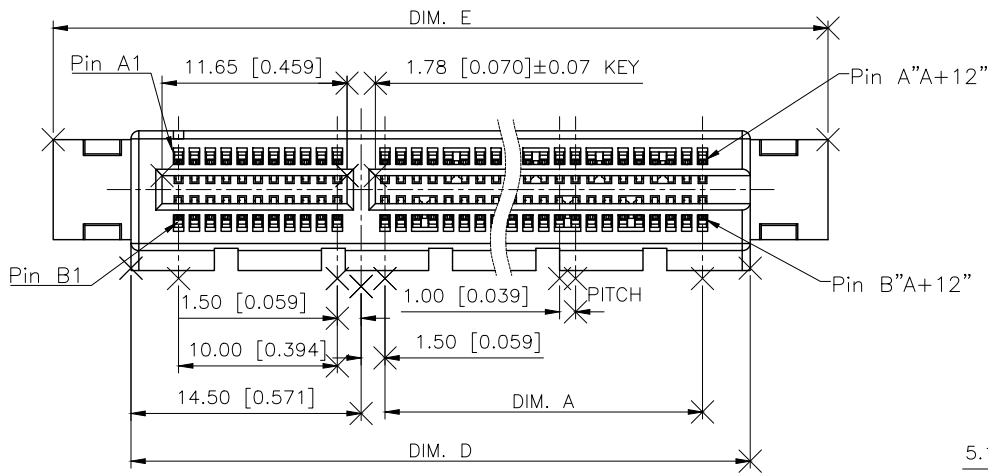


REVISIONS					
REV.	ECN NO.	LOCATION	DESCRIPTION	DATE	DESIGN
A1	N/A		图面升级整理图面	2025.1.17	阿树
A2	N/A		产品料号变更	2026.01.16	阿树



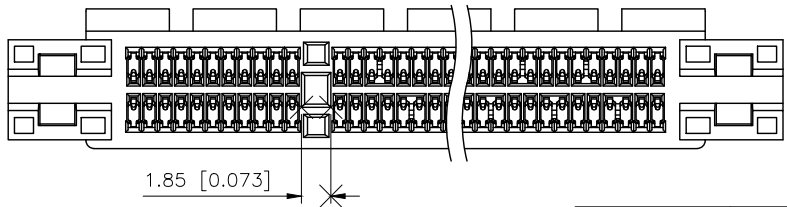
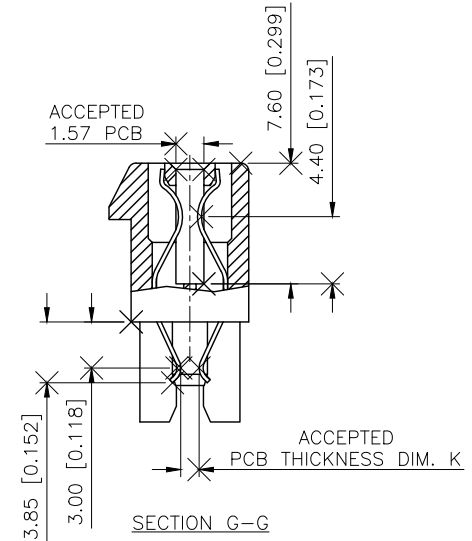
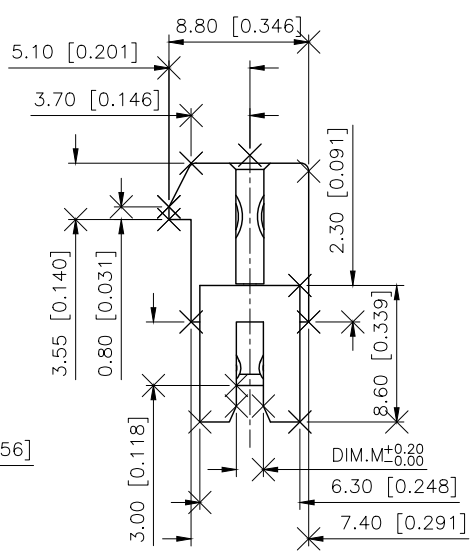
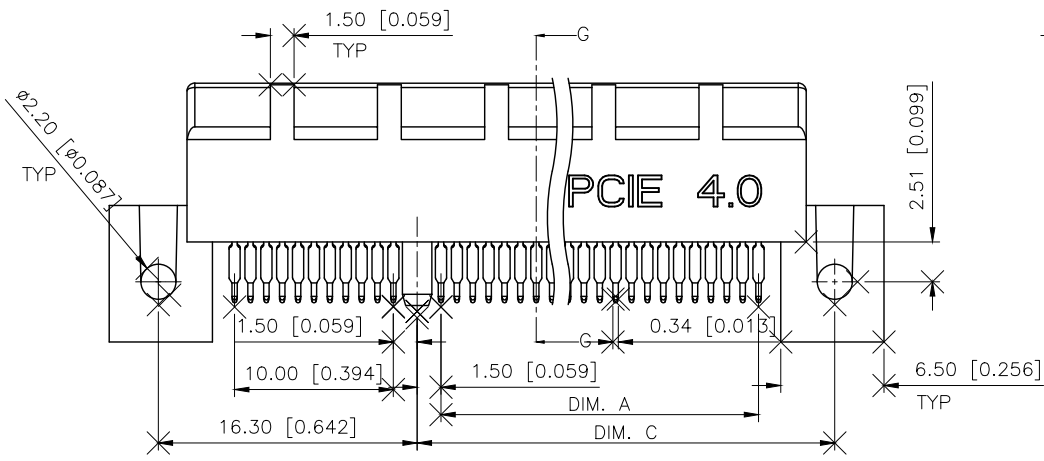
NOTES 备注:

1. MATERIAL 材料:
 1.1 HOUSING 胶壳: THERMOPLASTIC, HIGH TEMP, UL94 V-0, COLOR: BLACK. X1619 W S-164 D-9T V15
 ① ② ③ ④ ⑤ ⑥ ⑦
 1.2 CONTACTS 端子: COPPER ALLOY.
 1.3 DUMMY CARD 卡: THERMOPLASTIC, HIGH TEMP, UL94 V-0, COLOR: BLACK.

2. FINISH 电镀:
 CONTACT 端子: SELECTIVE GOLD PLATING ON THE CONTACT AREA. 100μ" MIN. MATTE-TIN PLATING ON THE SOLDER TAILS, 50μ" MIN. NICKEL UNDERPLATING OVERALL.

PART NO.:

①Series No
 ②Category:W-Wafer
 ③Welding Board Angle : Straddle
 ④No.of Pins: 36~164 Pin
 ⑤DIM.M:A=2.08; B=2.30; C=1.80;D=1.57;
 ⑥Plastic material: PA9T /PA46 UL94V-0
 ⑦Contact Plating: V15-Gold 15u" V30-Gold 30u"



	PCB Thickness "DIM. K"	DIM.M
A	2.08	2.55
B	2.30	2.55
C	1.80	2.55
D	1.57	1.70

DIMENSIONS					
POSITION	A ±0.20	C ±0.25	D ±0.25	E ±0.35	
36	6	12.3	25	34.8	
64	20	26.3	39	48.8	
98	37	43.3	56	65.8	
164	70	76.3	89	98.8	

AuGLAR	±5°
X.	±0.40
X.x	±0.30
X.xx	±0.20
X.xxx	±0.15
UNSPECIFIED TOLERANCES	

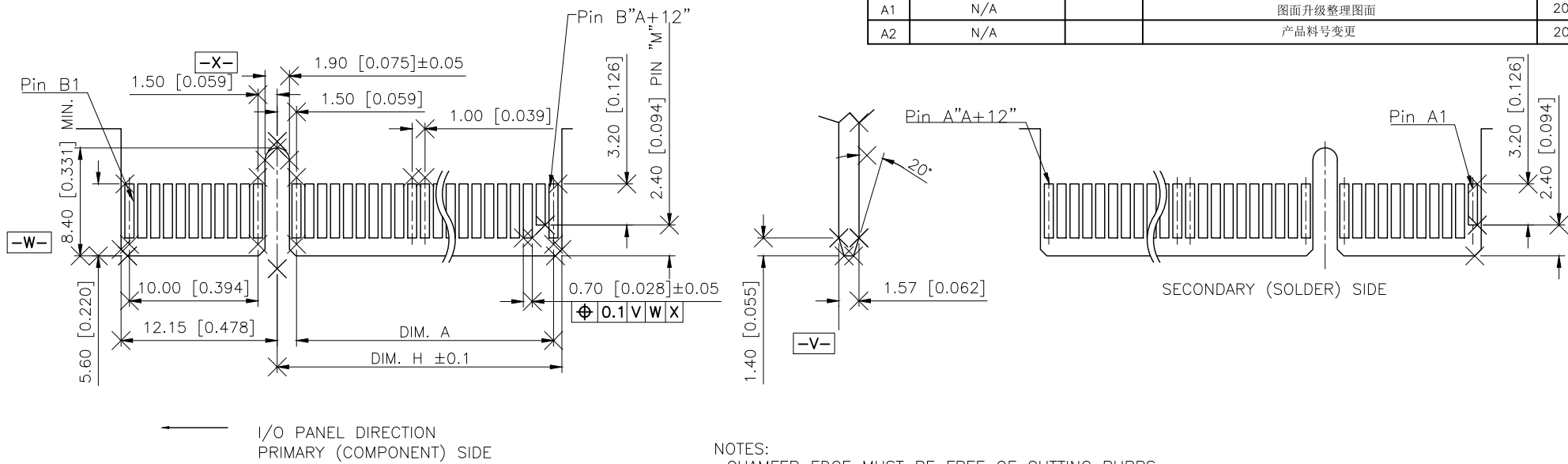


DESIGN	阿树	VIEW:		MODEL TYPE:	/
CHECKED		UNIT:	mm/in	PART NO.:	X1619WS-164D-9TV15
APPROVED		SIZE:	A4	DWG NO.:	X-X1619WS-164D-9TV15

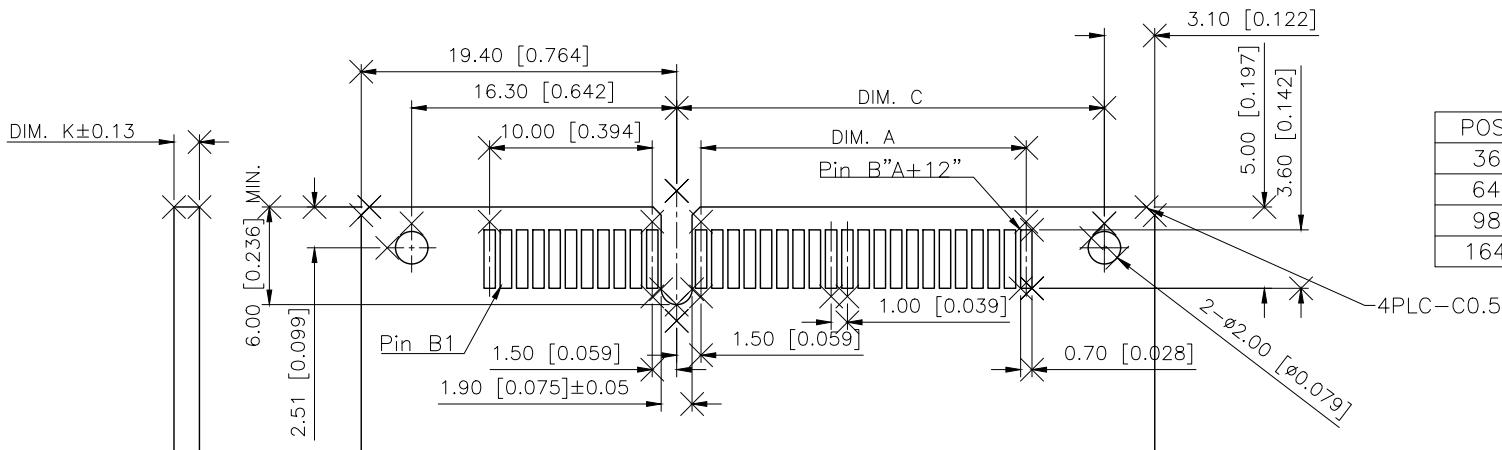
XKB INDUSTRIAL PRECISION CO., LIMITED

SCALE	PAGE	REVISION
N/A	1/3	A2

REVISIONS					
REV.	ECN NO.	LOCATION	DESCRIPTION	DATE	DESIGN
A1	N/A		图面升级整理图面	2025.1.17	阿树
A2	N/A		产品料号变更	2026.01.16	阿树



NOTES:
CHAMFER EDGE MUST BE FREE OF CUTTING BURRS

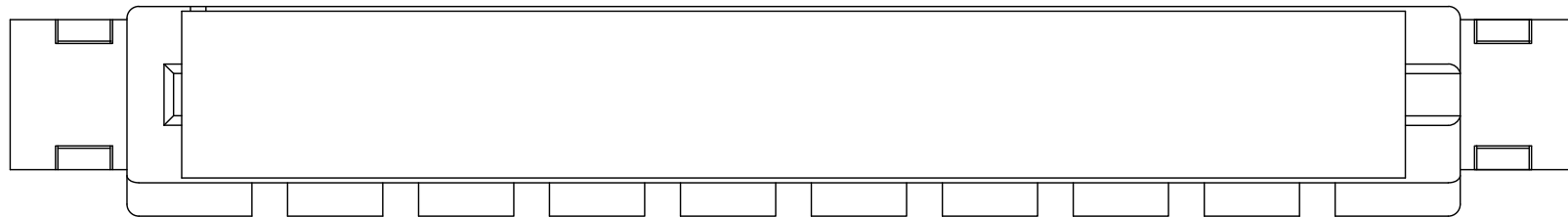


AuGLAR	±5°
X.	±0.40
X.x	±0.30
X.xx	±0.20
X.xxx	±0.15
UNSPECIFIED TOLERANCES	

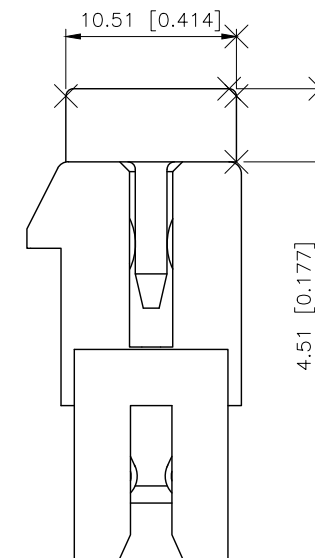
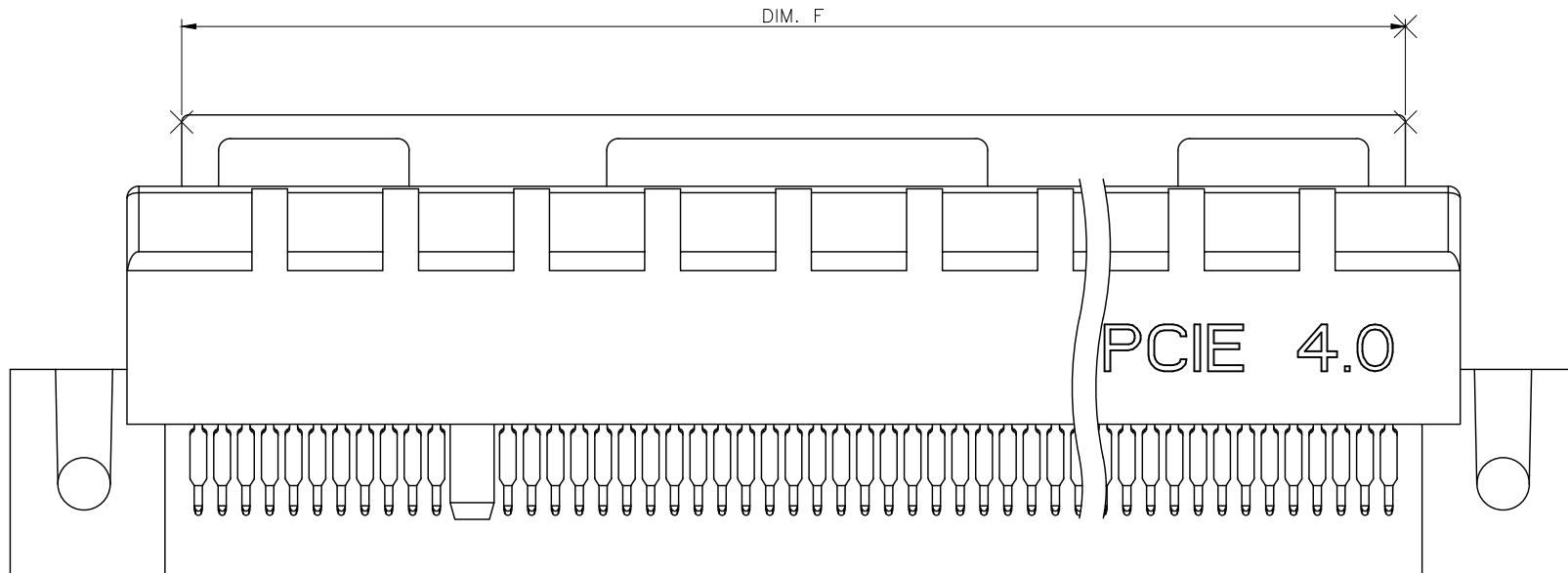


DESIGN	阿树	VIEW:	MODEL TYPE: /
CHECKED		UNIT: mm/in	PART NO.: X1619WS-164D-9TV15
APPROVED		SIZE: A4	DWG NO.: X-X1619WS-164D-9TV15

REVISIONS					
REV.	ECN NO.	LOCATION	DESCRIPTION	DATE	DESIGN
A1	N/A		图面升级整理图面	2025.1.17	阿树
A2	N/A		产品料号变更	2026.01.16	阿树



DIMENSIONS	
POSITION	DIM. F
36	20.4
64	34.4
98	51.4
164	84.4



WITH Dummy Card

AuGLAR	±5°
X.	±0.40
X.x	±0.30
X.xx	±0.20
X.xxx	±0.15
UNSPECIFIED TOLERANCES	



DESIGN	阿树	VIEW:		MODEL TYPE:	/
CHECKED		UNIT:	mm/in	PART NO.:	X1619WS-164D-9TV15
APPROVED		SIZE:	A4	DWG NO.:	X-X1619WS-164D-9TV15