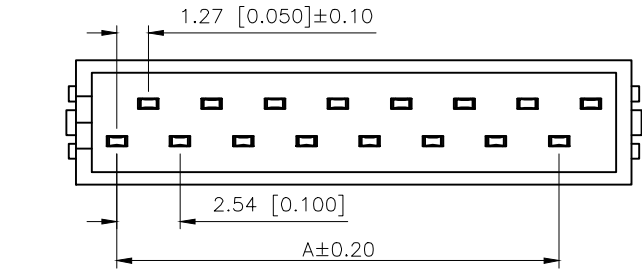
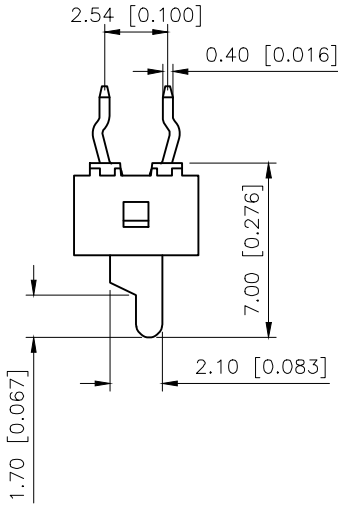
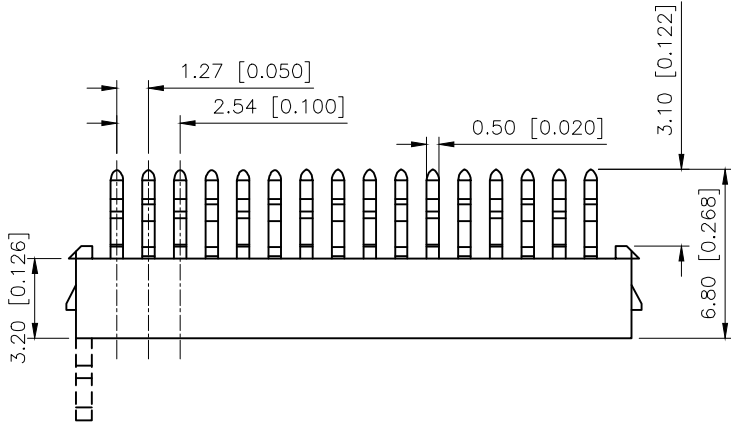
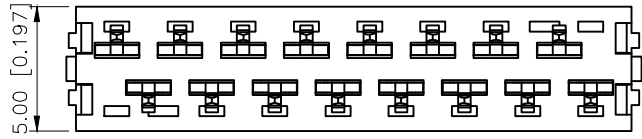


REVISIONS					
REV.	ECN NO.	LOCATION	DESCRIPTION	DATE	DESIGN
A1	N/A			2024.11.12	
A2	N/A			2026.03.09	



PART NO.:

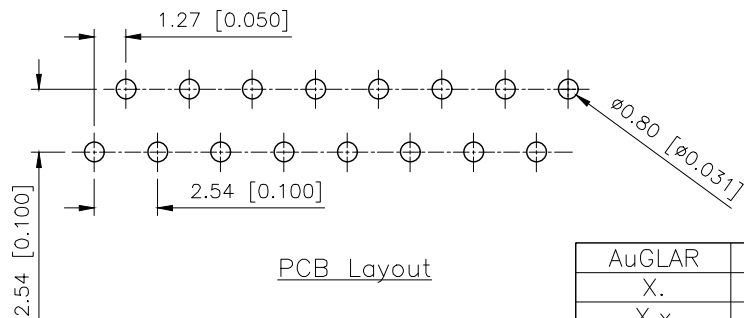
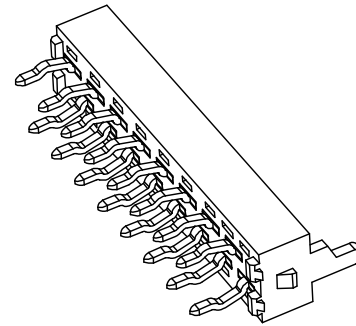
X9127 W V-04 S-9T SN RE

Series No
 Category:W-Wafer
 Welding Board Angle:R-Stright 90°
 Row No.Pin No:XX-04~26Pin
 Special No:S-No groove, has corners
 Material: 9T-PA9T UL 94V-0;PT-PBT 94V-0
 Plating Category: SN-Bright tin Plating
 Color: RE-Red ; RD-Purplish red

SPECIFICATIONS

- Voltage rating:500V AC/DC
- Current rating:1A AC/DC
- Withstanding Voltage:1000V AC/minute
- Temperature range:-40°C~+125°C
- Insulation resistance: 1000MΩ
- Contact resistance ≤20mΩ
- After environment testing ≤30mΩ

Poles	Dimensions(mm)		Poles	Dimensions(mm)	
	A			A	
4	2.54		16	17.78	
6	5.08		18	20.32	
8	7.62		20	22.86	
10	10.16		22	25.40	
12	12.70		24	27.94	
14	15.24		26	30.48	



PCB Layout

X9127WV-04S-PTSNRE	Red	PBT UL 94V-0			
X9127WV-04S-9TSNRD	purplish red	PA9T UL 94V-0	Brass	Tin-Plated	X9127F
X9127WV-04S-9TSNRE	Red				
PART NO	Color	Material	Material(Pin)	Finish(Pin)	Suitable XKB Female

AuGLAR	±5°
X.	±0.40
X.x	±0.30
X.xx	±0.20
X.xxx	±0.15
UNSPECIFIED TOLERANCES	



DESIGN
 CHECKED
 APPROVED

VIEW:
 UNIT: mm/in
 SIZE: A4

MODEL TYPE:
1.27mm Crimp Style Connectors
 PART NO.:
X9127WV-04S-9TSNRE
 DWG NO.: