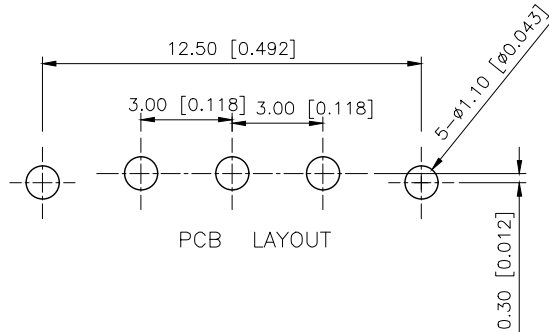
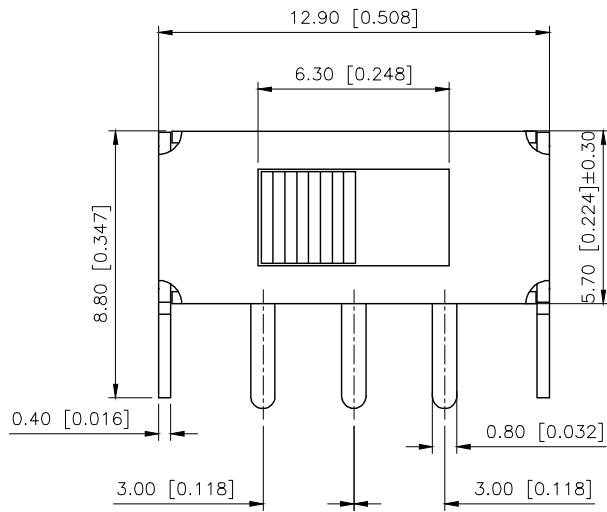
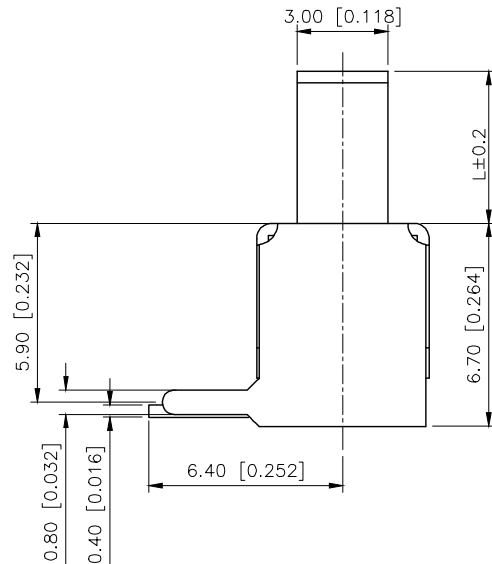
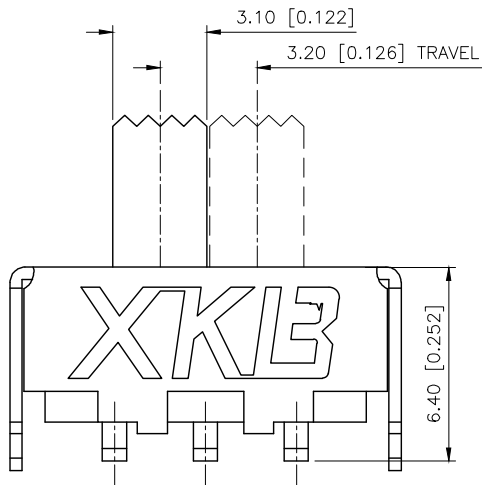


| REVISIONS | | | | | |
|-----------|---------|----------|-------------|------------|--------|
| REV. | ECN NO. | LOCATION | DESCRIPTION | DATE | DESIGN |
| A1 | N/A | | | 2025.06.28 | |
| A2 | N/A | | | 2025.11.20 | |



SK12F23L5

| |
|-------|
| L(mm) |
| 2~10 |



| | |
|--------------------|-------------|
| RATING | 0.3A 50V DC |
| CIRCUIT | 1P2T |
| CONTACT RESISTANCE | 100Ω MAX |
| TRAVEL | 2MM |
| OPERATING FORCE | 250±100gf |
| OPERATING LIFE | 10000 |

| | |
|-----------------------|-------|
| AuGLAR | ±5° |
| X. | ±0.40 |
| X.x | ±0.30 |
| X.xx | ±0.20 |
| X.xxx | ±0.15 |
| UNSPECIFIED TOLERANCE | AUCES |



| | |
|----------|--|
| DESIGN | |
| CHECKED | |
| APPROVED | |

| | |
|-------|-------|
| VIEW: | |
| UNIT: | mm/in |
| SIZE: | A4 |

| | |
|-------------|--------------|
| MODEL TYPE: | SLIDE SWITCH |
| PART NO.: | SK12F23L5 |
| DWG NO.: | X-SK12F23L5 |