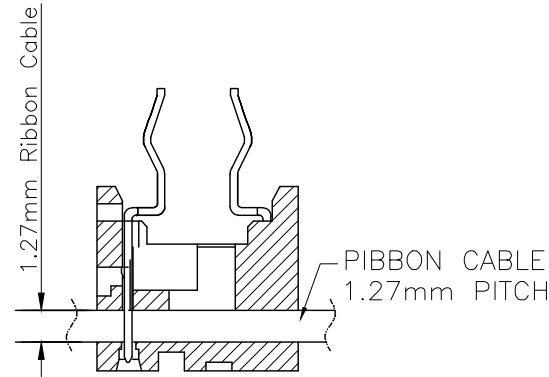
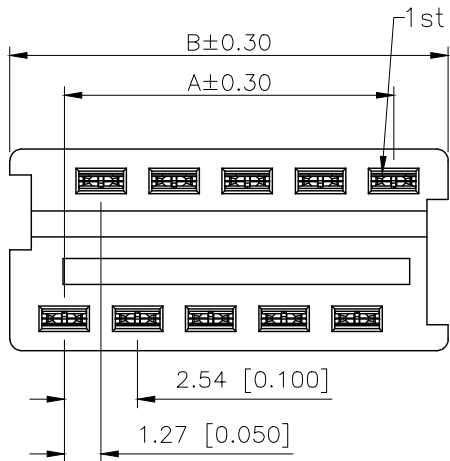
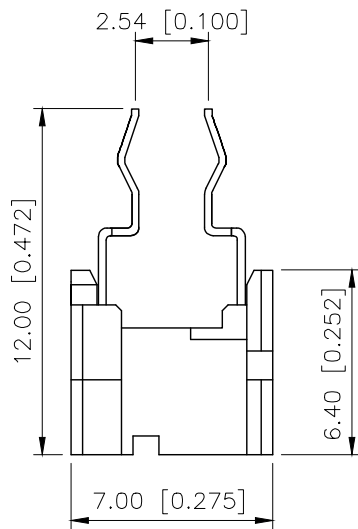
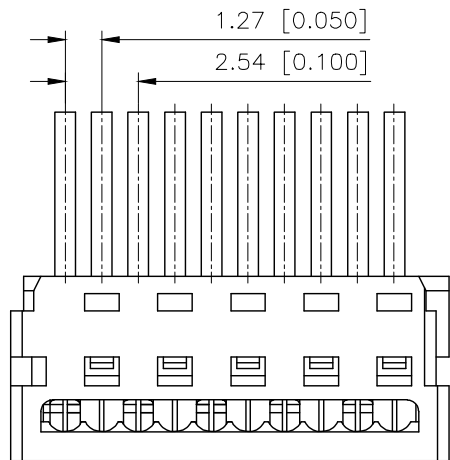


REVISIONS					
REV.	ECN NO.	LOCATION	DESCRIPTION	DATE	DESIGN
A1	N/A			2024.11.09	
A2	N/A			2026.03.09	



SECTION SHOWING

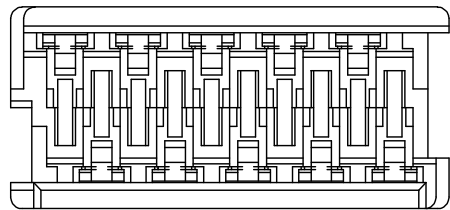


PART NO.:

X1273 F H-10 P-PT SN

Series No  
 Category:F-Female  
 Appearance type:H-Connect wires  
 Row No.-Pin No.:XX-04P~26P  
 Plug the Pin &Special No.:P-IDT-DIP cable end  
 Material:PT-PAT 94V-0  
 Planting Category:SN-Bright Tin plating

Poles	Dimensions(mm)	
	A	B
04	3.81	7.59
06	6.35	10.13
08	8.89	12.67
10	11.43	15.21
12	13.97	17.75
14	16.51	20.29
16	19.05	22.83
18	21.59	25.37
20	24.13	27.91
22	26.67	30.45
24	29.21	32.99
26	31.75	35.53



X1273FH-10P-PTSN	PBT UL 94V-0	Phosphor Bronze	TIN
PART NO	Material	Material(Pin)	Finish(Pin)

AuGLAR	±5°
X.	±0.40
X.x	±0.30
X.xx	±0.20
X.xxx	±0.15
UNSPECIFIED TOLERANCES	



DESIGN	VIEW:	MODEL TYPE: 1.27mm Crimp Style Connectors
CHECKED	UNIT: mm/in	PART NO.: X1273FH-10P-PTSN
APPROVED	SIZE: A4	DWG NO.:

XKB INDUSTRIAL PRECISION CO.,LIMITED

SCALE	PAGE	REVISION
N/A	1/1	A2