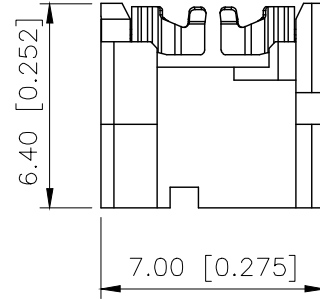
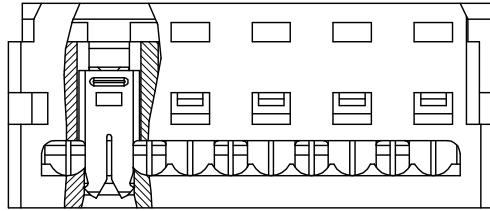
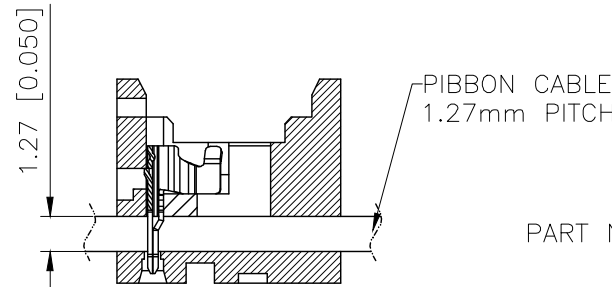
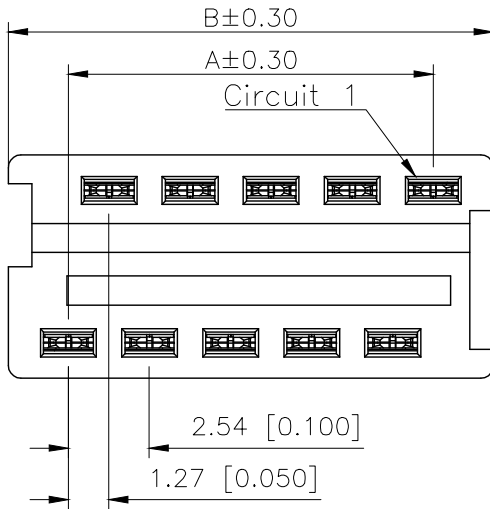


REVISIONS					
REV.	ECN NO.	LOCATION	DESCRIPTION	DATE	DESIGN
A1	N/A			2024.11.11	
A2	N/A			2026.03.09	



SPECIFICATIONS

- Voltage rating:500V AC/DC
- Current rating:1A AC/DC
- Withstanding Voltage:1000V AC/minute
- Temperature range:-40°C~+125°C
- Insulation resistance: 1000MΩ
- Contact resistance ≤20mΩ
- After environment testing ≤30mΩ



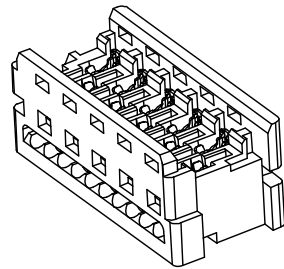
SECTION SHOWING

PART NO.:

X1273 F H-18 C-PT SN

Series No
 Category:F-Female
 Welding Board Angle:H-Connect wires
 Row No-Pin No:XX-04P~26P
 Plug the Pin &Special No.:C-IDT-IDC cable end
 Material:PT-PBT UL94V-0
 Plating Category: SN-Bright tin Plating

Poles	Dimensions(mm)	
	A	B
04	3.81	7.59
06	6.35	10.13
08	8.89	12.67
10	11.43	15.21
12	13.97	17.75
14	16.51	20.29
16	19.05	22.83
18	21.59	25.37
20	24.13	27.91
22	26.67	30.45
24	29.21	32.99
26	31.75	35.53



X1273FH-18C-PTSN	White	PBT UL 94V-0	Phoshor Bronze	Tin-Plated
PART NO	Color	Material	Material(Pin)	Finish(Pin)

AuGLAR	±5°
X.	±0.40
X.x	±0.30
X.xx	±0.20
X.xxx	±0.15
UNSPECIFIED TOLERAUCES	



DESIGN	VIEW:	MODEL TYPE: 1.27mm Crimp Style Connectors
CHECKED	UNIT: mm/in	PART NO.: X1273FH-18C-PTSN
APPROVED	SIZE: A4	DWG NO.: