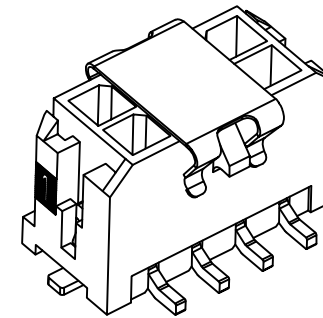
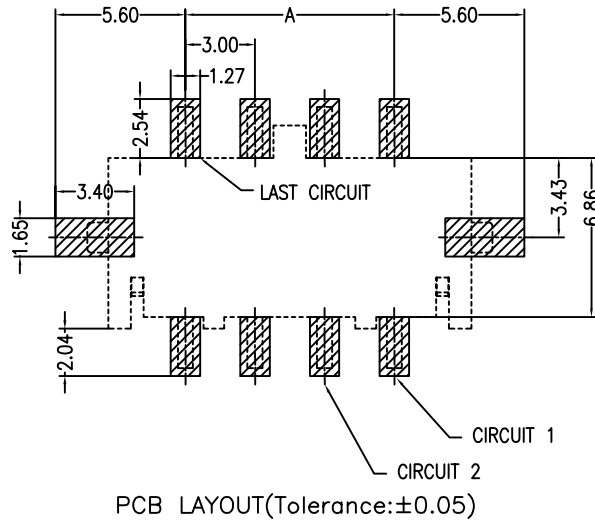


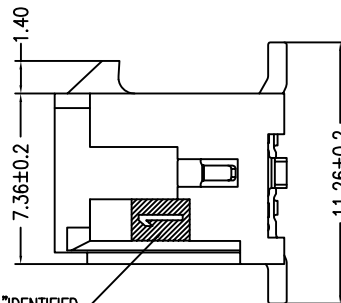
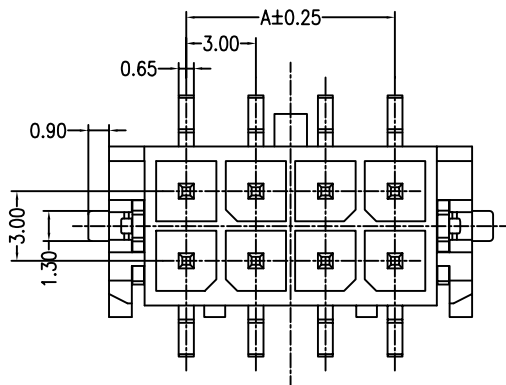
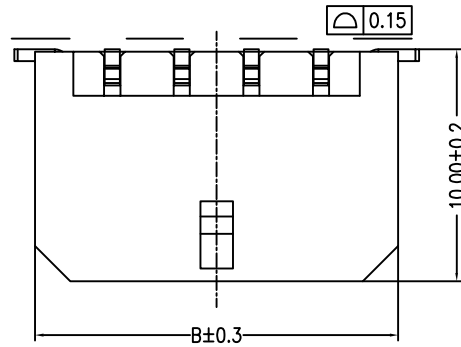
WITH COVER



PIN	DIM A	DIM B
2x2	3.00	9.65
2x3	6.00	12.65
2x4	9.00	15.65
2x5	12.00	18.65
2x6	15.00	21.65
2x7	18.00	24.65
2x8	21.00	27.65
2x9	24.00	30.65
2x10	27.00	33.65
2x11	30.00	36.65
2x12	33.00	39.65

Specifications:

- Contact resistance: ≤10mΩ
- Insulation resistance: ≥1000MΩ
- Rated voltage: 250V AC DC
- Rated current: 5.0A AC DC
- Withstand Voltage: 1000V AC/minute
- Temperature Range: -40℃ ~ +125℃
- Housing: LCP UL94V-0, BLACK
- Contacts: Brass/MATTE Sn-plated
- Solder Tabs: Brass/MATTE Sn-plated



CIRCUIT*1 IDENTIFIED ON THIS SURFACE (APPROX. LOCATION SHOWN FOR REF.)

new		2015/5/3		A		瀚源
ECN BO.		DESCRIPTION.		DATE.		
DESIGNED	CHECKED	APPROVAL	DRAWING NUMBER	SCALT: 1/2		SCALE: 3:1
Mikey	Tom	Jerry	PART NAME	3025WVS-2xXXDP	UNLESS OTHERWISE SPECIFIED, TOLERANCE:	X. ±0.25
			MODEL NAME	3025WVS-2xXXDP		X.x ±0.20
			3RD ANGLE PROJ	HanElectricity Co.,LTD		X.xx ±0.15
						ANGULAR ±3°
						FILE.NO.