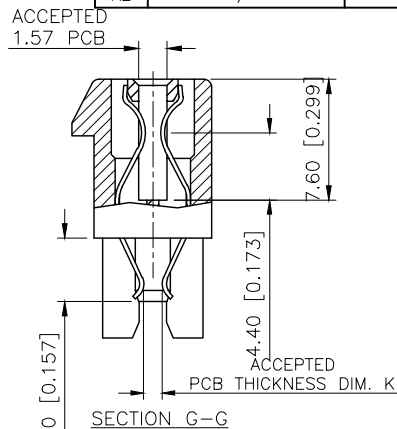
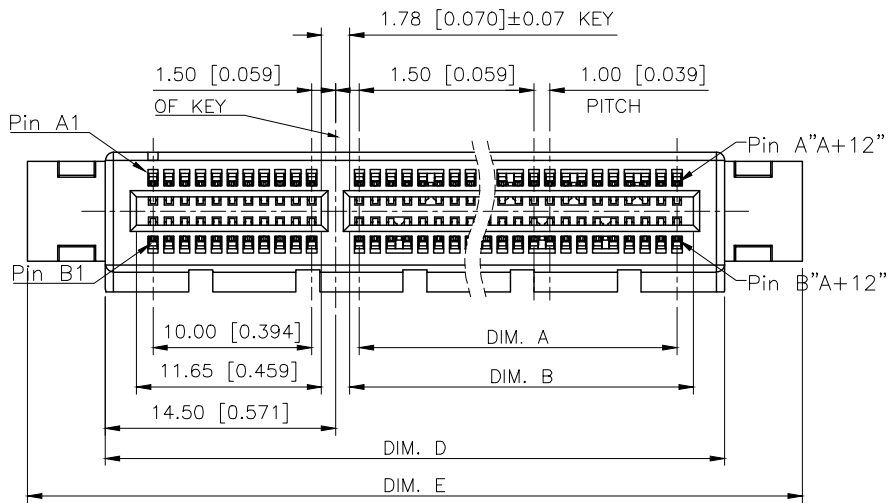


REVISIONS					
REV.	ECN NO.	LOCATION	DESCRIPTION	DATE	DESIGN
A1	N/A			2025.1.17	
A2	N/A			2025.10.15	

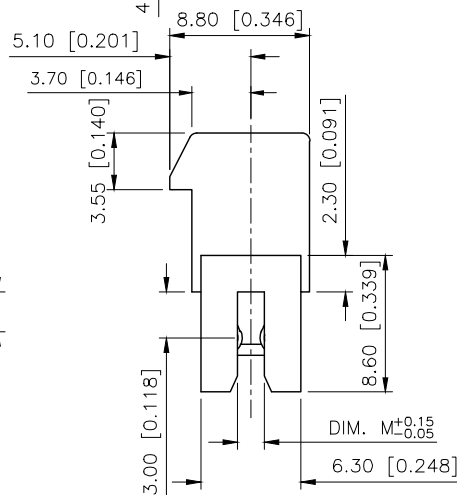
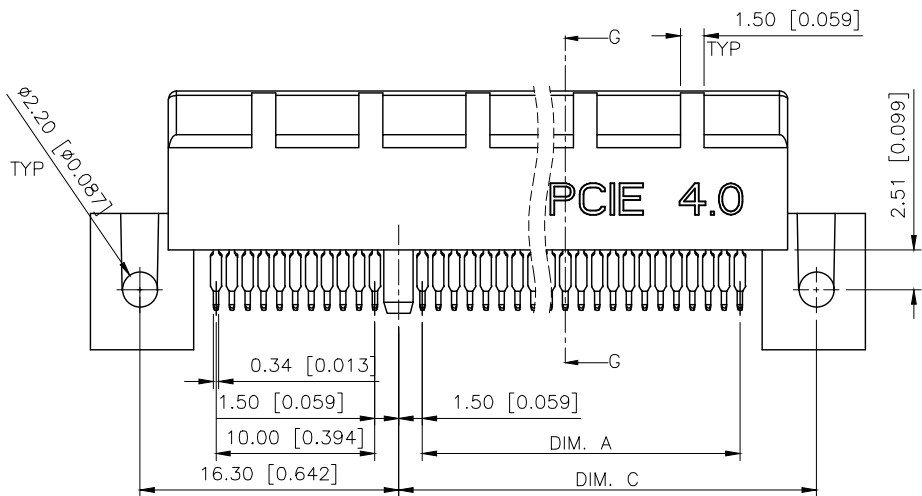


- NOTES :
- MATERIAL :
    - 1.1 HOUSING : THERMOPLASTIC, HIGH TEMP, UL94 V-0, COLOR: BLACK.
    - 1.2 CONTACTS : COPPER ALLOY.
    - 1.3 DUMMY CARD : THERMOPLASTIC, HIGH TEMP, UL94 V-0, COLOR: BLACK.
  - FINISH :
    - CONTACT : SELECTIVE GOLD PLATING ON THE CONTACT AREA. 100μ" MIN. MATTE-TIN PLATING ON THE SOLDERTAILS, 50μ" MIN. NICKEL UNDERPLATING OVERALL.

PART NO.:

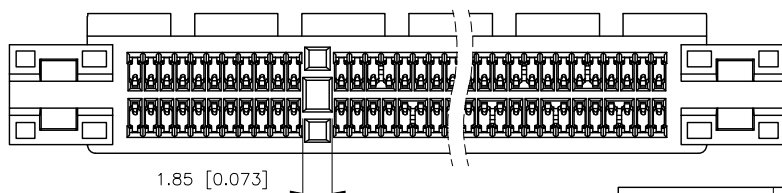
X1613 W S-XX A-9T V01

Series No  
 Category:W-Wafer  
 Welding Board Angle : Straddle  
 No.of Pins: 36~164 Pin  
 DIM.M:A=2.08 B=2.30 C=1.80;D=1.57;  
 Plastic material: PA9T /PA46 UL94V-0  
 Contact Plating:V01-Gold Flash  
 V15-Gold 15u"  
 V30-Gold 30u"



	PCB Thickness "DIM. K"	DIM.M
A	2.08	2.55
B	2.30	2.55
C	1.80	2.55
D	1.57	1.70

POSITION	DIMENSIONS				
	A±0.20	B±0.20	C±0.20	D±0.25	E±0.35
36	6	7.65	12.3	25	34.8
64	20	21.65	26.3	39	48.8
98	37	38.65	43.3	56	65.8
164	70	71.65	76.3	89	98.8



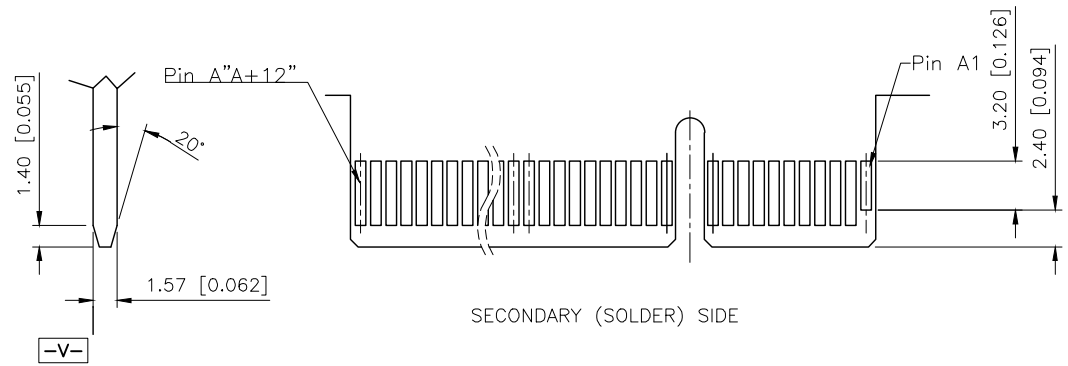
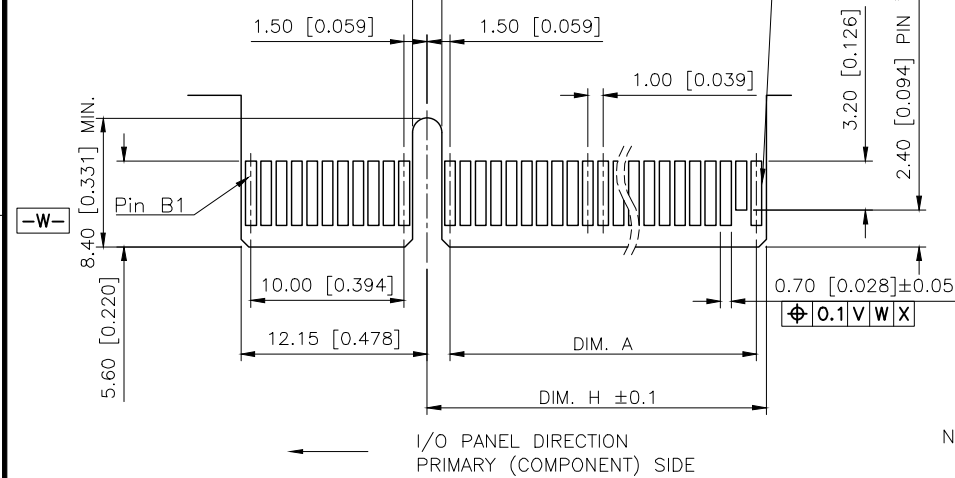
AuGLAR	±5°
X.	±0.40
X.x	±0.30
X.xx	±0.20
X.xxx	±0.15
UNSPECIFIED TOLERANCES	



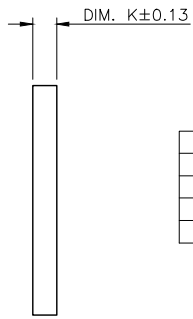
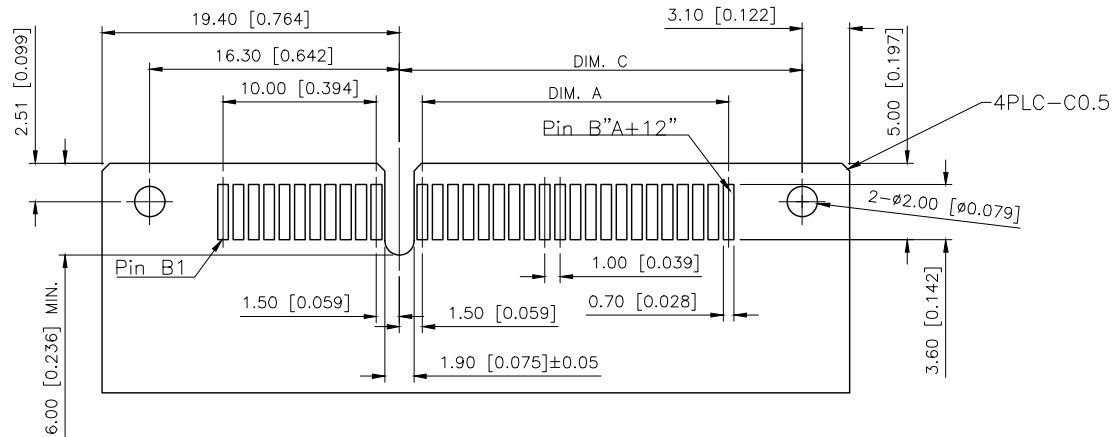
DESIGN	
CHECKED	
APPROVED	

VIEW:	MODEL TYPE: /
UNIT: mm/in	PART NO.: X1613WS-XXA-9TV01
SIZE: A4	DWG NO.:

REVISIONS					
REV.	ECN NO.	LOCATION	DESCRIPTION	DATE	DESIGN
A1	N/A			2025.1.17	
A2	N/A			2025.10.15	



NOTES:  
CHAMFER EDGE MUST BE FREE OF CUTTING BURRS



POS.	DIM. A	DIM. C	DIM. H	"M"
36	6	12.3	8.15	B17
64	20	26.3	22.15	B31
98	37	43.3	39.15	B48
164	70	76.3	72.15	B81

RECOMMENDED PCB LAYOUT  
TOLERANCE: ±0.05

AuGLAR	±5°
X.	±0.40
X.x	±0.30
X.xx	±0.20
X.xxx	±0.15
UNSPECIFIED TOLERANCES	

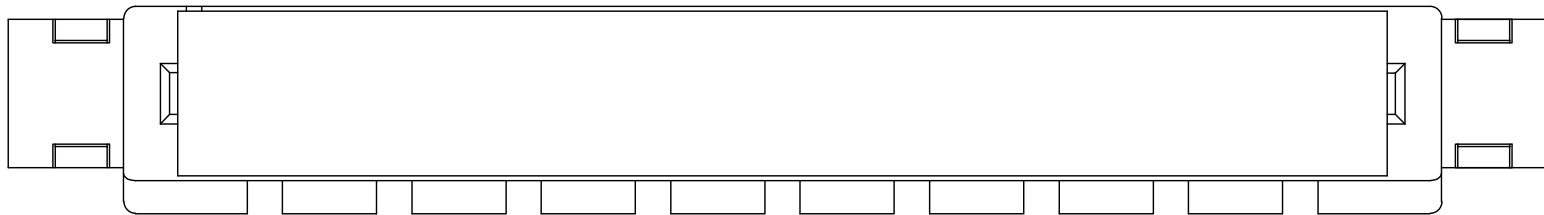


DESIGN		VIEW:	MODEL TYPE: /
CHECKED		UNIT: mm/in	PART NO.: X1613WS-XXA-9TV01
APPROVED		SIZE: A4	DWG NO.:

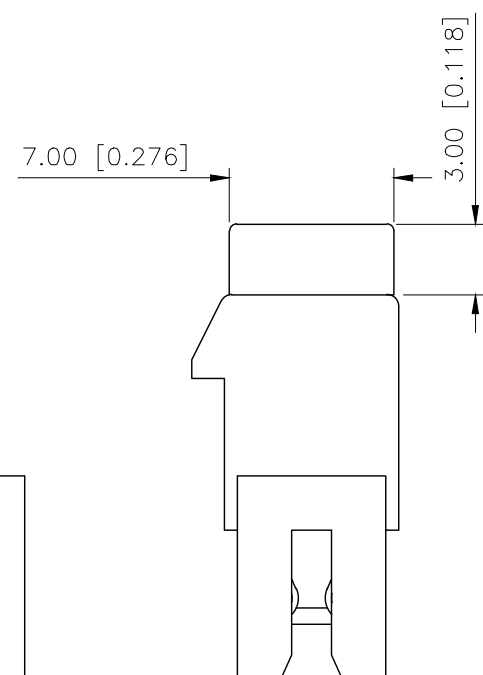
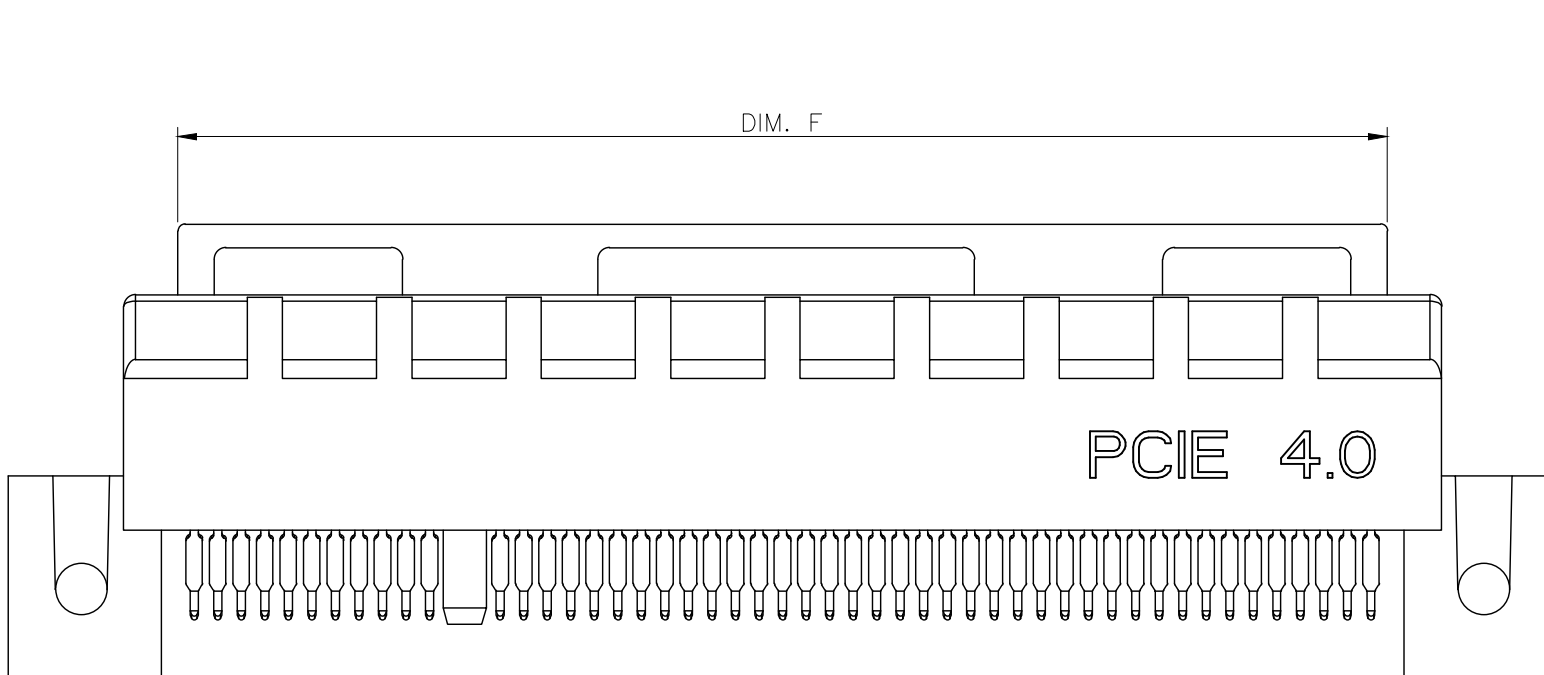
XKB INDUSTRIAL PRECISION CO., LIMITED

SCALE	PAGE	REVISION
N/A	2/3	A2

REVISIONS					
REV.	ECN NO.	LOCATION	DESCRIPTION	DATE	DESIGN
A1	N/A			2025.1.17	
A2	N/A			2025.10.15	

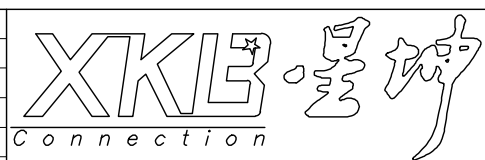


DIMENSIONS	
POSITION	DIM. F
36	20.4
64	34.4
98	51.4
164	84.4



WITH Dummy Card

AuGLAR	±5°
X.	±0.40
X.x	±0.30
X.xx	±0.20
X.xxx	±0.15
UNSPECIFIED TOLERANCES	



DESIGN	
CHECKED	
APPROVED	

VIEW:	
UNIT:	mm/in
SIZE:	A4

MODEL TYPE:	/
PART NO.:	X1613WS-XXA-9TV01
DWG NO.:	