

Features

Frequency range : 32.768 kHz
 SMD : Ceramic package
 External dimensions (mm)
 L : 1.6 x W : 1.0 x H : 0.5
 RoHS compliant & Pb free

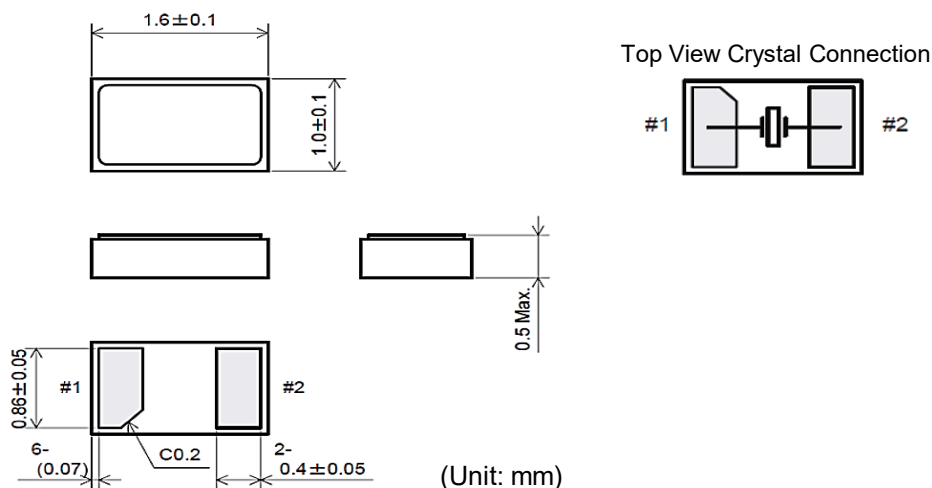
Applications

Smart phone
 Compact portable consumer devices
 Communication devices
 Consumer products

Electrical Characteristics

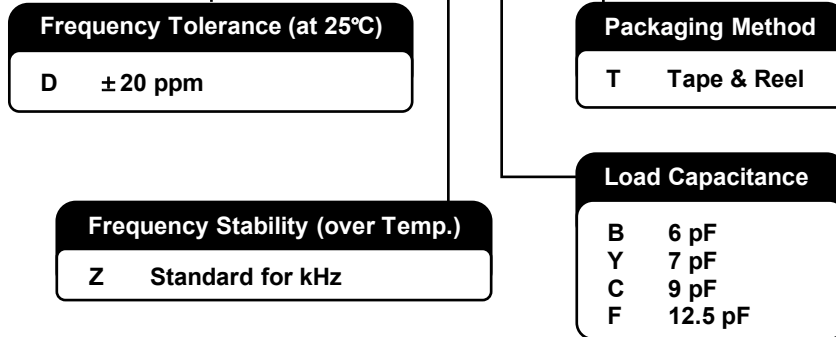
Item	Symbol	9HT12	Conditions
Nominal Frequency	f_0	32.768 kHz	
Frequency Tolerance	$\Delta f/f_0$	± 20 ppm	at 25°C
Load Capacitance	C_L	6pF, 7pF, 9pF, 12.5pF	
Operating Temperature Range	T_{OTR}	-40°C ~ +85°C	
Storage Temperature Range	T_{STR}	-55°C ~ +125°C	
Turnover Temperature	T_M	25°C \pm 5°C	
Temperature Coefficient	β	-0.04 ppm/°C ² Max.	
Motional Capacitance	C_1	6.4 fF Typ.	
Motional Resistance (ESR)	R_1	90 k Ω Max.	at 25°C
Drive Level	D_L	0.1 μ W Typ. / 0.5 μ W Max.	
Aging	$\Delta f/f_0$	± 3 ppm Max.	at 25°C \pm 3°C, first year
Shunt Capacitance	C_0	1.3 pF Typ.	

Dimensions

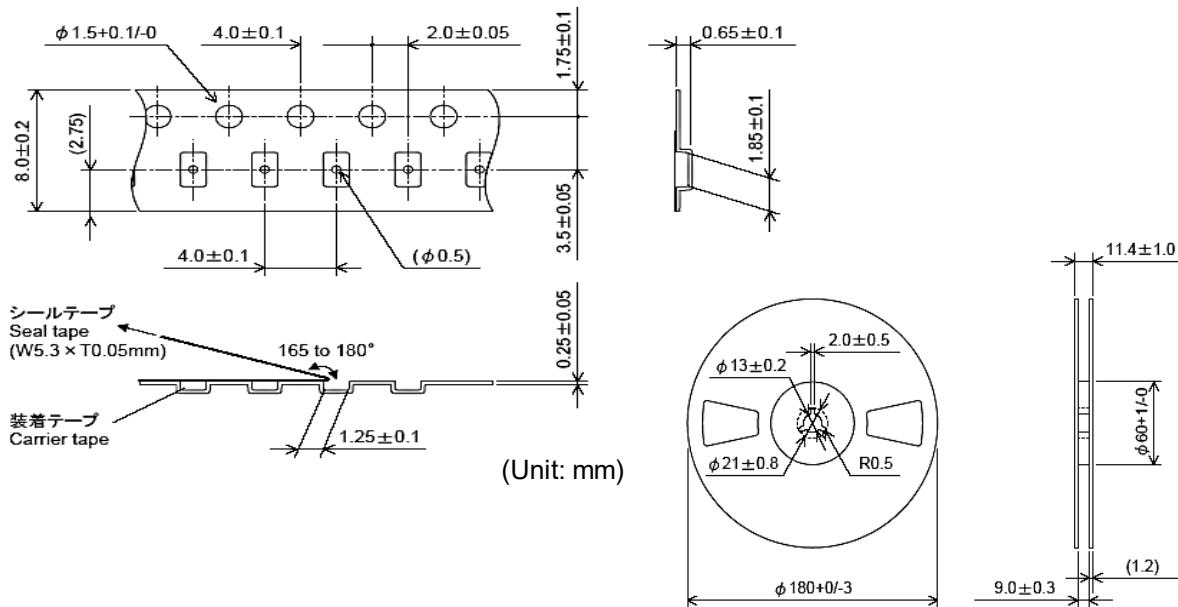


Ordering Information

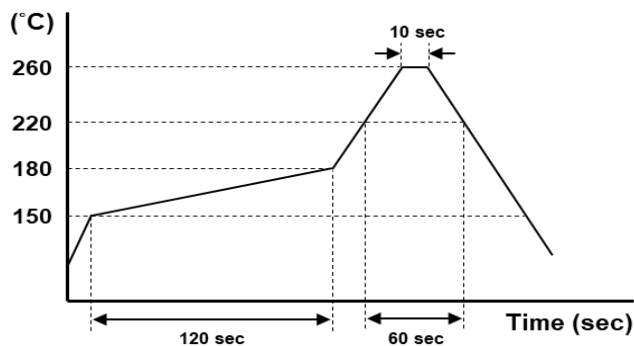
9HT12 - 32.768K D Z F - T



Packing



Reflow Profile



Total time : Max. 200 sec.
Solder melting point : 220°C