

WH58M- [X] [X] [X] [X] [XX] / [XXXXXX] ²

SWITCH FUNCTION CODE	SWITCH FUNCTION DESCRIPTION	HOUSING MATERIAL CODE	HOUSING DESCRIPTION	ILLU. TYPE CODE	ILLUMINATION TYPE DESCRIPTION	LED COLOR CODE	LED COLOR	LED INLET VOLTAGE CODE	LED INLET VOLTAGE	16 SERIES SWITCH CODE	16 SERIES SWITCH
1	MECHANICAL, MOMENTARY	1	STAINLESS STEEL	0	NON.-LIT.	N	NONE	IF BLANK*	(SEE NOTE)	4044	16-4044
2	MECHANICAL, MAINTAINED	2	ALUMINUM	1	--	G	GREEN	05	5V	40443	16-40443
				2	RING ILLUMINATION	R	RED	12	12V	530004	16-530004
				3	POWER/SYANDBY SYMBOL ILLUMINATION	A	AMBER	24	24V	50443	16-50443
				R	RED BUTTON, NON-LIT.	B	BLUE				
						W	WHITE				
						Y	YELLOW				
						RB	RED/BLUE				
						RG	RED/GREEN				

MECHANICAL CHARACTERISTICS:
 SWITCH CIRCUITRY: SPDT-DB
 SWITCH ACTION: MOMENTARY AND MAINTAINED (PER CHART)
 OPERATING FORCE: 18.5 oz NOMINAL (WITH T16 SWITCH)
 PANEL THICKNESS: .050 - .197 [1.3 - 5.0mm]
 OTHERS: REFER TO ITW SWITCHES 16 SERIES
 NUT TORQUE FORCE: MAX 10 LB/in [11.5 kgf/cm] ²

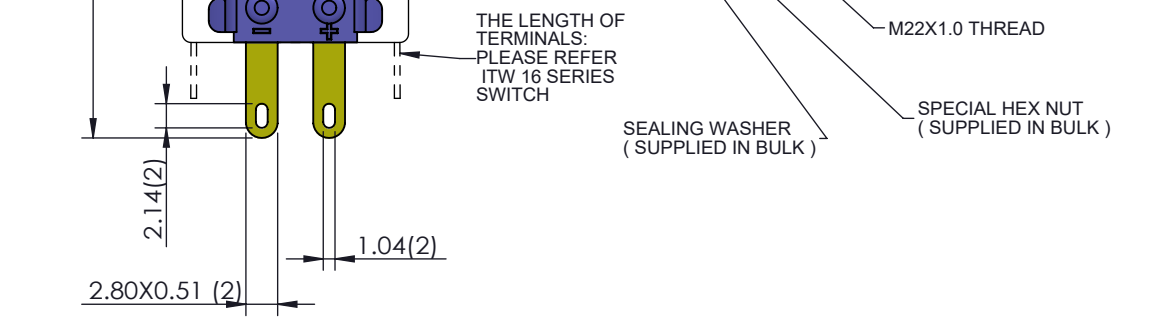
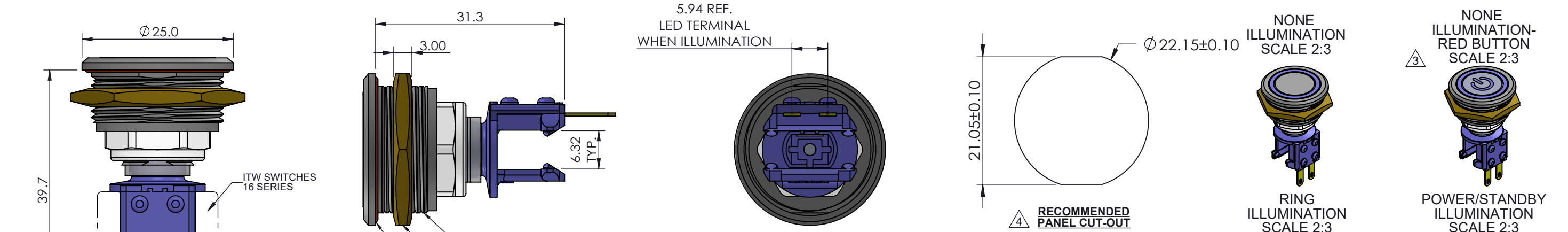
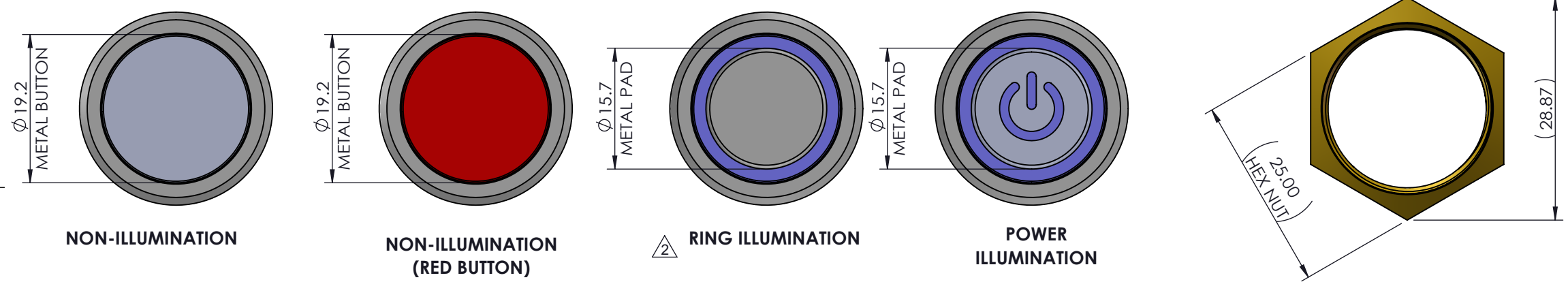
ENVIRONMENTAL SPECIFICATIONS:
 ACTUATOR INGRESS PROTECTION: IP67
 MECHANICAL OPERATING TEMPERATURE:
 MOMENTARY: -40°F to +185°F [-40°C to +85°C]
 MAINTAINED: -40°F to +149°F [-40°C to +65°C] ²
 OPERATING TEMPERATURE: -13°F to +185°F [-25°C to +85°C]

ELECTRICAL SPECIFICATIONS:
 (REFER TO ITW SWITCHES 16 SERIES)

LED SPECIFICATIONS:
 CONTINUOUS FORWARD CURRENT, TYP: 20 mA
 CONTINUOUS FORWARD CURRENT, MAX: 30 mA

ACTUATOR LIFE:
 MOMENTARY: 500,000 CYCLES NOMINAL ²
 MAINTAINED: 50,000 CYCLES NOMINAL ²

NOTE:
 1. CURRENT LIMITING RESISTOR IS REQUIRED TO LIMIT LED FORWARD CURRENT TO 20mA.
 2. LED FORWARD VOLTAGE:
 RED, AMBER, YELLOW : 1.6~2.0 VDC
 GREEN, BLUE, WHITE : 2.8~3.4 VDC
 3. SUPPLY HEX NUT AND SEALING WASHER BULK PACKED.



DWG TYPE SALES DRAWING	DRAWN <i>y.w.</i>	TOLERANCES: UNLESS OTHERWISE NOTED X.X ± 0.5 X.XX ± 0.25 ANGULAR ± 5°	DWG TITLE WH58M- MECHANICAL, MOMENTARY/MAINTAINED, NONE ILLUMINATION/ILLUMINATION							
STATUS RELEASE	REVIEW <i>m.e.</i>	THIRD ANGLE PROJECTION 	DWG NO. WH58M-1,2							
<small>This document is the intellectual property of ITW Electronic Business Asia Co., Limited and may contain confidential, proprietary, privileged information protected by law. Neither this document nor any information it contains can be reproduced, transformed to any other format, or distributed, without written permission by ITW Electronic Business Asia Co., Limited. 本文件為安達維百電股份有限公司之智慧財產，非經許可不得翻取、複製、轉變成其他形式使用或散佈。</small>			DATE 26 MAY,09'	REF: XX1XXXXXX	<input checked="" type="checkbox"/> 管制文件 <input type="checkbox"/> 非管制文件	Unit mm	SCALE 2:1	REV 4	RoHS Compliant	SHEET 1 OF 2