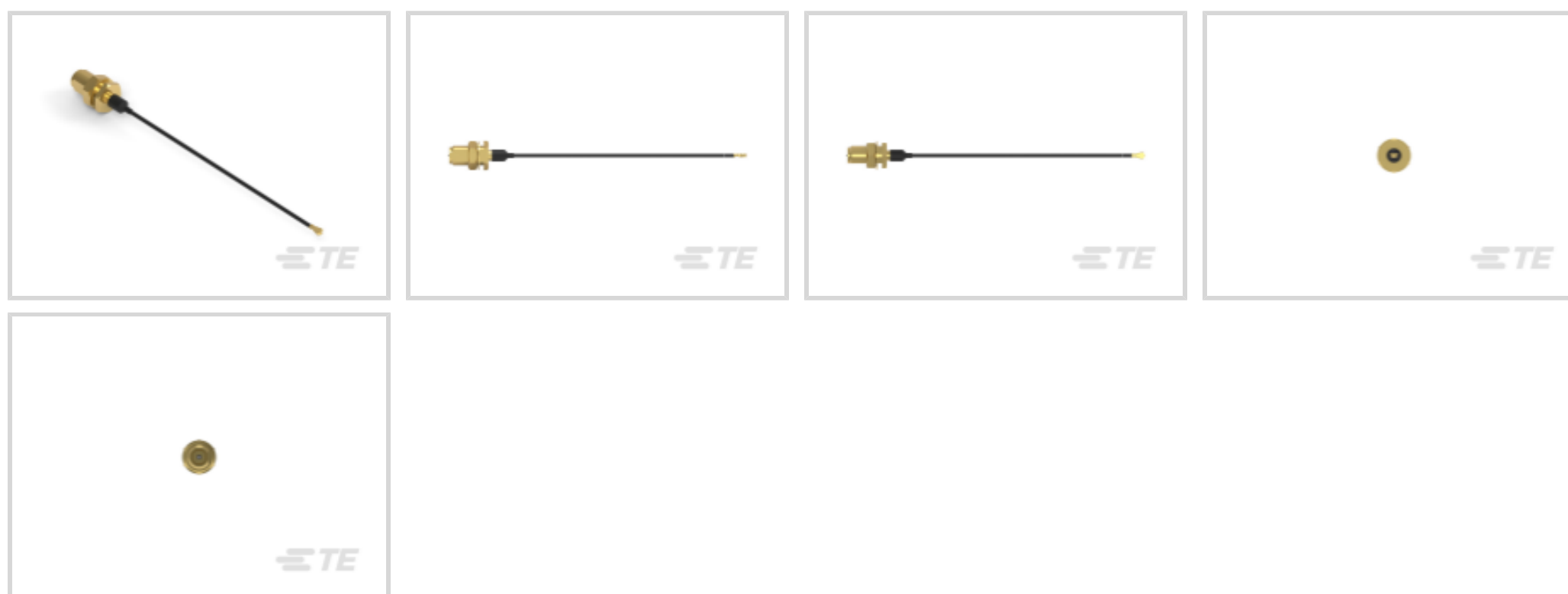




TE Internal #: 2016695-4
 RP-SMA to UMCC Cable Assembly, .66 ft [.2 m], Black Cable, 0 – 9
 GHz Operating Frequency, 50 Ω, FEP, 32 AWG, .044 in [1.13 mm]
 Diameter, RP SMA Jack

[View on TE.com >](#)

Cable Assemblies > RF Cable Assemblies



Connector Type (End A): **RP SMA Jack**
 Jacket Material: **FEP**
 Cable Assembly Length: **.2 m [.66 ft]**
 Cable Color: **Black**
 Operating Temperature Range: **-45 – 85 °C [-49 – 185 °F]**

Features

Product Type Features

Coax Cable Type	1.13mm Coax
Connector Type (End A)	RP SMA Jack
Connector Type (End B)	UMCC Plug
Cable Assembly Type	RP-SMA to UMCC

Configuration Features

Number of Connectorized Ends	2
------------------------------	---

Electrical Characteristics

Insulation Resistance	300 MΩ
Operating Voltage	15 V
Impedance	50 Ω

Signal Characteristics

Velocity of Propagation	70%
-------------------------	-----

Body Features

Conductor Plating Material	Gold
----------------------------	------



Strain Relief Type	HST
--------------------	-----

Body Plating Material	Gold
-----------------------	------

Conductor Material	Copper
--------------------	--------

Jacket Material	FEP
-----------------	-----

Cable Color	Black
-------------	-------

Contact Features

Ferrule Material	Brass
------------------	-------

Dimensions

Wire Size	32 AWG
-----------	--------

Outside Cable Diameter	1.13 mm [.044 in]
------------------------	-------------------

Usage Conditions

Operating Temperature Range	-45 – 85 °C [-49 – 185 °F]
-----------------------------	----------------------------

Operation/Application

Operating Frequency	0 – 9 GHz
---------------------	-----------

Other

Dielectric Material	FEP
---------------------	-----

Cable Assembly Length	.2 m [.66 ft]
-----------------------	---------------

Product Compliance

[For compliance documentation, visit the product page on TE.com>](#)

EU RoHS Directive 2011/65/EU	Compliant with Exemptions
------------------------------	---------------------------

EU ELV Directive 2000/53/EC	Compliant with Exemptions
-----------------------------	---------------------------

China RoHS 2 Directive MIIT Order No 32, 2016	Restricted Materials Above Threshold
---	--------------------------------------

EU REACH Regulation (EC) No. 1907/2006	<p>Current ECHA Candidate List: JUNE 2023 (235)</p> <p>Candidate List Declared Against: JAN 2021 (211)</p> <p>SVHC > Threshold:</p> <p>Pb (4% in Component part)</p>
--	---

Article Safe Usage Statements:
Do not eat, drink or smoke when using this product. Wash thoroughly after handling. Recycle if possible and dispose of the article by following all applicable governmental regulations relevant to your geographic location.

Halogen Content	Low Halogen - Br, Cl, F, I < 900 ppm per homogenous material. Also BFR/CFR/PVC Free
-----------------	---

Solder Process Capability	Not reviewed for solder process capability
---------------------------	--

Product Compliance Disclaimer

This information is provided based on reasonable inquiry of our suppliers and represents our current actual knowledge based on the information they provided. This information is subject to change. The part numbers that TE has identified as EU RoHS compliant have a maximum concentration of 0.1% by weight in homogenous materials for lead, hexavalent chromium, mercury, PBB, PBDE, DBP, BBP, DEHP, DIBP, and 0.01% for cadmium, or qualify for an exemption to these limits as defined in the Annexes of Directive 2011/65/EU (RoHS2). Finished electrical and electronic equipment products will be CE marked as required by Directive 2011/65/EU. Components may not be CE marked. Additionally, the part numbers that TE has identified as EU ELV compliant have a maximum concentration of 0.1% by weight in homogenous materials for lead, hexavalent chromium, and mercury, and 0.01% for cadmium, or qualify for an exemption to these limits as defined in the Annexes of Directive 2000/53/EC (ELV). Regarding the REACH Regulation, the information TE provides on SVHC in articles for this part number is based on the latest European Chemicals Agency (ECHA) 'Guidance on requirements for substances in articles' posted at this URL: <https://echa.europa.eu/guidance-documents/guidance-on-reach>

Compatible Parts



TE Part # 2334884-1
UMCC Micro-Coax receptacle, Gen 4



TE Part # 2108923-3
External Ant., RP-SMA, Wi-Fi 6E(Black)



TE Part # 2108923-4
External Ant., RP-SMA, Wi-Fi 6E(White)



TE Part # 2195899-1
External Ant,RP-SMA,Wi-Fi,2.4-2.5GHz

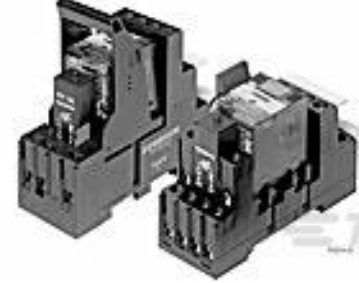
Customers Also Bought



TE Part #6609070-5
36FCD10 J0=F7753



TE Part #1-6609104-7
PE0S0SS6B=C1165



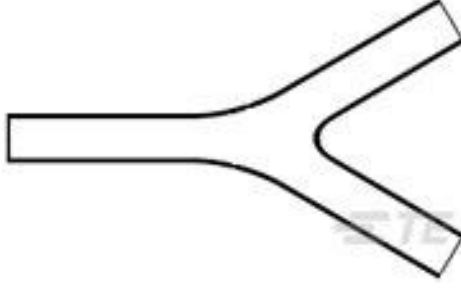
TE Part #2-1415075-1
PT3S7LC4



TE Part #5748270-2
FEMALE SCREWLOCK,ZN PLTD



TE Part #100503L
CONT SOC ASSY



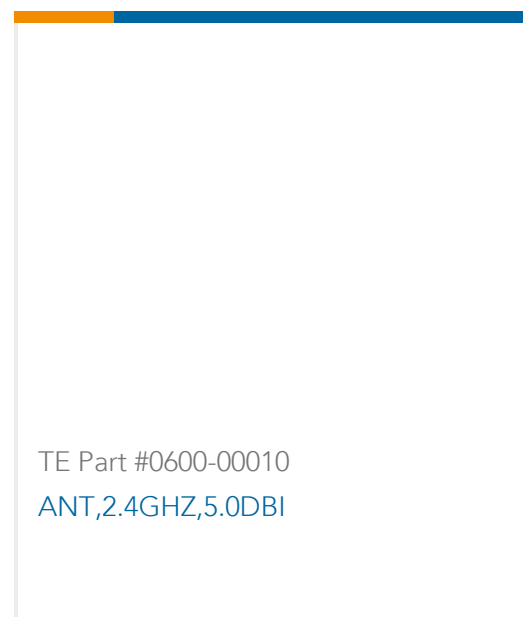
TE Part #013055-000
381A301-71/42-0



TE Part #62261-1
250 FASTON TAB BR



TE Part #0004-058-100L
CONT PIN



Documents

Product Drawings

[RF CA,UMCC4 TO RPSMA JACK,1.13MM,L200MM](#)

English

CAD Files

[3D PDF](#)

3D

Customer View Model

[ENG_CVM_CVM_2016695-4_A.2d_dxf.zip](#)

English

Customer View Model

[ENG_CVM_CVM_2016695-4_A.3d_igs.zip](#)

English

Customer View Model

[ENG_CVM_CVM_2016695-4_A.3d_stp.zip](#)

English

By downloading the CAD file I accept and agree to the [Terms and Conditions](#) of use.

Product Specifications

English