

## DPST/DPDT MINIATURE POWER RELAY

### FEATURES

- Dielectric strength 5000 VAC
- Epoxy sealed versions available
- Gold plated versions available
- 12 Amp switching capability
- Double pole contacts
- Isolation spacing greater than 8 mm
- UL, CUR file E44211
- TÜV certificate R50129285

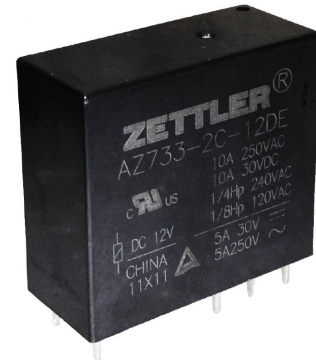


Illustration similar



### CONTACTS

<b>Arrangement</b>	DPST (2 Form A) DPDT (2 Form C)
<b>Ratings (max.)</b> switched power switched current switched voltage	(resistive load) 360 W or 3324 VA 12 A 250 VDC* or 400 VAC  * Note: If switching voltage is greater than 30 VDC, special precautions must be taken. Please contact the factory.
<b>Rated Loads</b> UL/CUR	12 A at 277 VAC resistive, 85°C, 100k cycles (NO), 30k cycles (NC) [1][2] 10 A at 277 VAC cos φ 0.6, 40°C, 30k cycles (NO), 10k cycles (NC) [2] 12 A at 30 VDC resistive, 85°C, 10k cycles [1][2] 1/2 HP at 125 VAC, 40°C, 100k cycles (NO) [2] 1/3 HP at 125 VAC, 40°C, 1k cycles (NO/NC) [1][2] 3/4 HP at 250 VAC, 40°C, 100k cycles (NO) [2] TV5 at 125 VAC, 40°C, 25k cycles (NO) [2]
TÜV	DPST (2 Form A) versions 12 A at 250 VAC resistive, 70°C, 10k cycles [1][2] 10 A at 250 VAC resistive, 70°C, 30k cycles [1] 10 A at 250 VAC resistive, 70°C, 50k cycles [2]  DPDT (2 Form C) versions 10 A at 250 VAC resistive, 70°C, 30k cycles [1]
<b>Contact materials</b>	AgNi (silver nickel) [1] AgSnO <sub>2</sub> (silver tin oxide) [2] gold plating available
<b>Initial resistance</b> max. typ.	(1A / 24V, voltage drop method) 50 mΩ < 5 mΩ

### COIL

<b>Nominal coil DC voltages</b>	see coil voltage specifications table
<b>Operative range</b>	class 1 (80% to 110% of rated voltage)
<b>Dropout voltage</b>	> 10% of nominal coil voltage
<b>Coil power</b> at nominal voltage at pickup voltage	(typ. at 23°C) 530 mW (approx.) 340 mW (approx.)
<b>Temperature Rise</b>	typ. 34 K (61°F) at nominal coil voltage
<b>Max. temperature</b>	155°C (311°F), class F

### GENERAL DATA

<b>Life Expectancy</b> mechanical electrical	(minimum operations) 1 x 10 <sup>7</sup> 1 x 10 <sup>5</sup> at 10 A 250 VAC resistive
<b>Operate Time</b> max. typ.	(at nominal coil voltage) 15 ms < 10 ms
<b>Release Time</b> max. typ.	(at nom. coil voltage, without coil suppression) 5 ms < 4 ms
<b>Dielectric Strength</b> coil to contact between open contacts between contact sets	(at sea level for 1 min.) 5000 VAC 1000 VAC 3000 VAC
<b>Surge voltage</b> coil to contact	(1.2/50 μs) 10 kV
<b>Insulation Resistance</b>	1000 MΩ (min.) at 20°C, 500 VDC, 50% RH
<b>Insulation</b> coil to contacts	Reinforced insulation (rated voltage: 250 VAC, pollution degree: 2, overvoltage category: II)
<b>Clearance</b> coil to contacts between contact sets	≥ 8.0 mm ≥ 3.5 mm
<b>Creepage</b> coil to contacts between contact sets	≥ 8.0 mm ≥ 6.5 mm
<b>Temperature Range</b> operating	at nominal coil voltage -40°C (-40°F) to 85°C (185°F)
<b>Vibration</b>	0.062" (1.5 mm) DA at 10–55 Hz
<b>Shock</b>	10 g
<b>Enclosure</b> protection category	P.B.T. polyester RT II (flux tight), RT III (wash tight)
<b>Terminals</b>	Tinned copper alloy, P. C.
<b>Soldering</b> max. temperature max. time	270°C (518°F) 5 seconds
<b>Cleaning</b> max. solvent temp. max. immersion time	80°C (176°F) 30 seconds
<b>Dimensions</b> length width height	29.0 mm (1.14") 13.0 mm (0.51") 25.9 mm (1.02")
<b>Weight</b>	18 grams (approx.)
<b>Packing unit in pcs</b>	50 per plastic tray / 500 per carton box
<b>Compliance</b>	UL 508, IEC 61810-1, RoHS, REACH

# AZ733

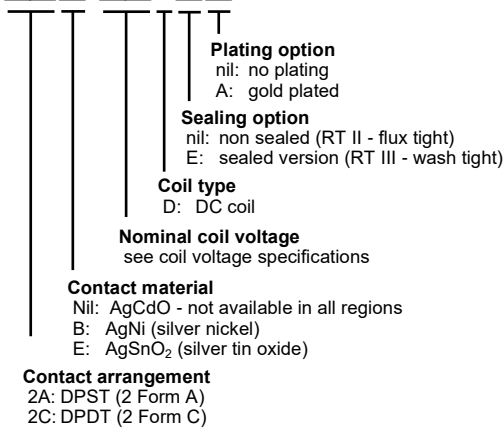
## COIL VOLTAGE SPECIFICATIONS

Nominal Coil VDC	Must Operate VDC	Max. Continuous VDC	Resistance Ohm ± 10%
3	2.4	3.9	17
5	4.0	6.5	47
6	4.8	7.8	68
9	7.2	11.7	160
12	9.6	15.6	275
18	14.4	23.4	620
24	19.2	31.2	1100
48	38.4	62.4	4170
60	48.0	78.0	7000

Note: All values at 23°C (73°F), upright position, terminals downward.

## ORDERING DATA

AZ733-□□□-□□□D□□



### Example ordering data

AZ733-2AE-9D silver tin oxide, 9 VDC nominal coil voltage, flux tight  
 AZ733-2AB-12DE silver nickel, 12 VDC nominal coil voltage, wash tight

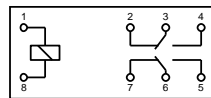
## WIRING DIAGRAM

Viewed towards terminals

2 Form A



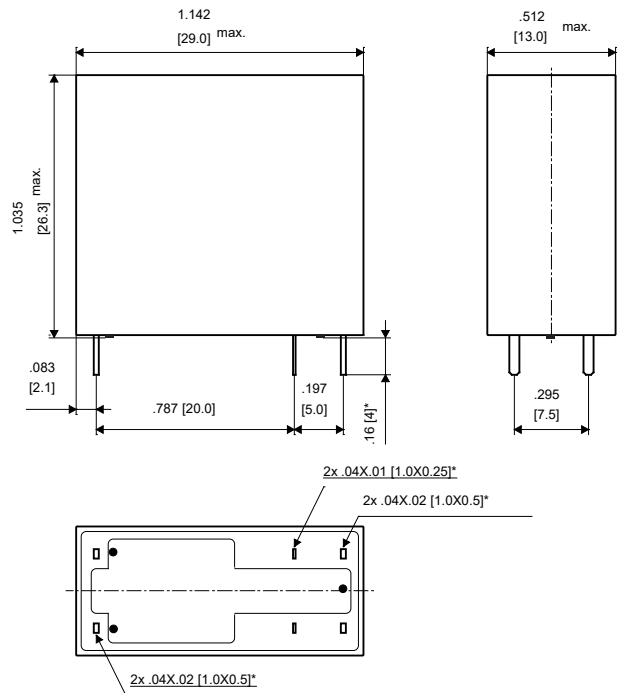
2 Form C



## MECHANICAL DATA

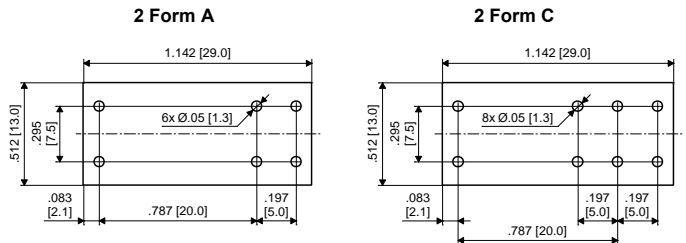
Dimensions in inches with metric equivalents in parentheses. Tolerance: ±.01"

Notes: \* Pin dimensions for reference only and given without tin coating.  
 \*\* Only for DPDT (2 Form C) contact arrangement versions.



## PC BOARD LAYOUT

Layout recommendation. Viewed towards terminals.  
 Dimensions in inches with metric equivalents in parentheses.



## NOTES

- All values at reference temperature of 23°C (73°F) unless stated otherwise.
- Relay may pull in with less than "Must Operate" value.
- "Max. Continuous Voltage" is the maximum voltage the coil can endure for a short period of time.
- Coil suppression circuits such as diodes, etc. in parallel to the coil will lengthen the release time.
- Relay adjustment may be affected if excessive shock is applied to the relay.
- Relay adjustment may be affected if undue pressure is exerted on the relay case.
- Specifications subject to change without notice.

# AZ733

## DISCLAIMER

This product specification is to be used in conjunction with the application notes which can be downloaded from the regional ZETTLER relay websites. The specification provides an overview of the most significant part features. Any individual applications and operating conditions are not taken into consideration. It is recommended to test the product under application conditions. Responsibility for the application remains with the customer. Proper operation and service life cannot be guaranteed if the part is operated outside the specified limits.

## ZETTLER GROUP

Building on a foundation of more than a century of expertise in German precision engineering, ZETTLER Group is a world-class enterprise, engaged in the design, manufacturing, sales and distribution of electronic components. Our industry leadership is based on a unique combination of engineering competence and global scale.

For more information on other ZETTLER Group companies, please visit [zettler-group.com](http://zettler-group.com). For support on this product or other ZETTLER relays, please visit one of the group sites below.

## SITES FOR ZETTLER RELAYS

### NORTH AMERICA

American Zettler, Inc.  
[www.azettler.com](http://www.azettler.com)  
[sales@azettler.com](mailto:sales@azettler.com)

### EUROPE

Zettler Electronics, GmbH  
[www.zettlerelectronics.com](http://www.zettlerelectronics.com)  
[office@zettlerelectronics.com](mailto:office@zettlerelectronics.com)

Zettler Electronics, Poland  
[www.zettlerelectronics.pl](http://www.zettlerelectronics.pl)  
[office@zettlerelectronics.pl](mailto:office@zettlerelectronics.pl)

### CHINA

Zettler Group, China  
[www.zettlercn.com](http://www.zettlercn.com)  
[relay@zettlercn.com](mailto:relay@zettlercn.com)

### ASIA PACIFIC

Zettler Electronics (HK) Ltd.  
[www.zettlerhk.com](http://www.zettlerhk.com)  
[sales@zettlerhk.com](mailto:sales@zettlerhk.com)



**ZETTLER**