

3EP7 ✓ ACTIVE

Corcom | Corcom EP

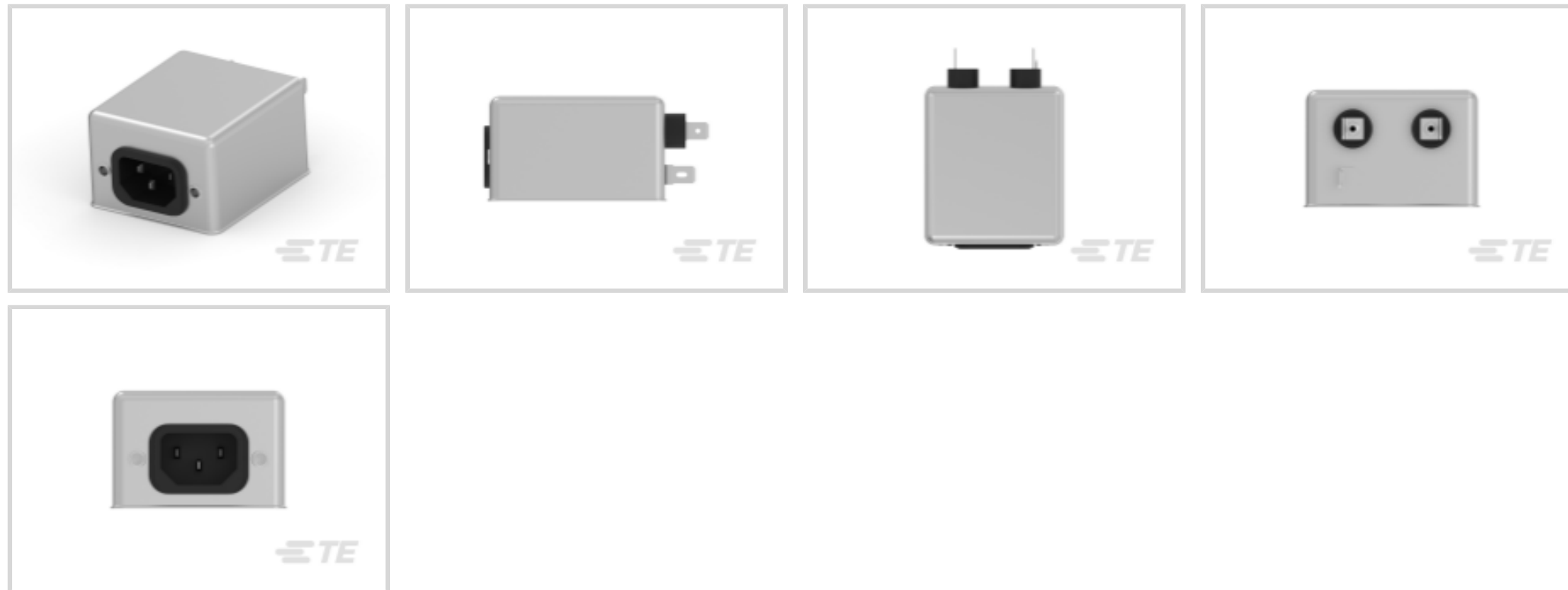
TE Internal #: 6609037-3

Single Phase Filters, 3A Current Rating, IEC Input, .250" FASTON Output, Corcom EP

[View on TE.com >](#)



EMI & EMC Solutions > EMI Filters > Power Line Filters > Single Phase Filters > Single Phase Filters, Corcom EP Series



Current Rating: **3 A**

Input Termination Type: **IEC**

Output Termination Type: **.250" FASTON**

Leakage Current (Max) (120VAC, 60Hz): **.21 mA**

Leakage Current (Max) (250VAC, 50Hz): **.36 mA**

[All Single Phase Filters, Corcom EP Series \(7\)](#)

Features

Product Type Features

Ground Choke Option	No
Filtering Requirements	Filtered
Input Termination Type	IEC
Output Termination Type	.250" FASTON

Electrical Characteristics

Operating Voltage	250 VAC
Current Rating	3 A
Leakage Current (Max) (120VAC, 60Hz)	.21 mA
Leakage Current (Max) (250VAC, 50Hz)	.36 mA

Mechanical Attachment

Product Mount Type	Panel
--------------------	-------

Usage Conditions

Operating Temperature Range	-10 – 40 °C
-----------------------------	-------------



Product Compliance

[For compliance documentation, visit the product page on TE.com>](#)

EU RoHS Directive 2011/65/EU	Compliant with Exemptions
EU ELV Directive 2000/53/EC	Compliant
China RoHS 2 Directive MIIT Order No 32, 2016	Restricted Materials Above Threshold
EU REACH Regulation (EC) No. 1907/2006	Current ECHA Candidate List: JUNE 2023 (235) Candidate List Declared Against: JUNE 2023 (235) SVHC > Threshold: Pb (3.2% in Component Part) Article Safe Usage Statements: Do not eat, drink or smoke when using this product. Wash thoroughly after handling. Recycle if possible and dispose of the article by following all applicable governmental regulations relevant to your geographic location.
Halogen Content	Not Low Halogen - contains Br or Cl > 900 ppm.
Solder Process Capability	Not applicable for solder process capability

Product Compliance Disclaimer

This information is provided based on reasonable inquiry of our suppliers and represents our current actual knowledge based on the information they provided. This information is subject to change. The part numbers that TE has identified as EU RoHS compliant have a maximum concentration of 0.1% by weight in homogenous materials for lead, hexavalent chromium, mercury, PBB, PBDE, DBP, BBP, DEHP, DIBP, and 0.01% for cadmium, or qualify for an exemption to these limits as defined in the Annexes of Directive 2011/65/EU (RoHS2). Finished electrical and electronic equipment products will be CE marked as required by Directive 2011/65/EU. Components may not be CE marked. Additionally, the part numbers that TE has identified as EU ELV compliant have a maximum concentration of 0.1% by weight in homogenous materials for lead, hexavalent chromium, and mercury, and 0.01% for cadmium, or qualify for an exemption to these limits as defined in the Annexes of Directive 2000/53/EC (ELV). Regarding the REACH Regulation, the information TE provides on SVHC in articles for this part number is based on the latest European Chemicals Agency (ECHA) 'Guidance on requirements for substances in articles' posted at this URL: <https://echa.europa.eu/guidance-documents/guidance-on-reach>

Compatible Parts



Also in the Series | Corcom EP



Single Phase Filters(8)

Customers Also Bought



TE Part #5227426-1
BNC BLKHD RECPT SEALED



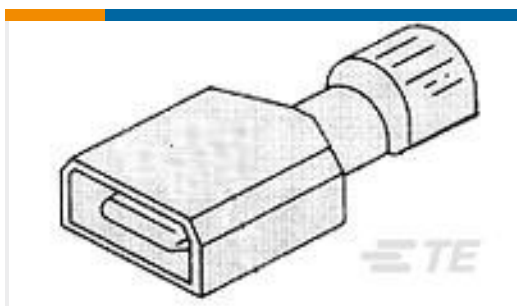
TE Part #1393774-1
V23026A1001B201



TE Part #4-520448-2
ULTRAFast 250 ASSY REC 12-10
TPBR LP



TE Part #1-350944-0
04P UMNL HDR ASSY R/A 94VO



TE Part #4-521098-2
ULTRA-FAST 250 ASSEMBLY 12-10
AWG TPBR



TE Part #643407-1
06P UMNL PIN HDR ASSY POL NATL



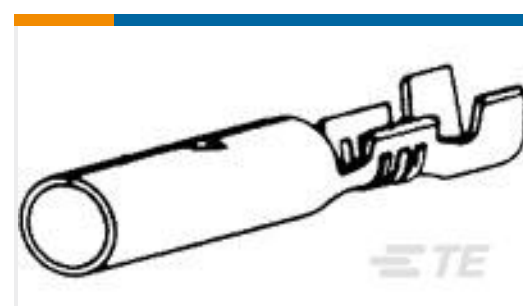
TE Part #1-480702-0
04P UMNL PLUG HSG NATL



TE Part #1877285-4
04P EP SHRD HDR ASMY, WHITE



TE Part #6609042-1
3VS1=F7246 S0



TE Part #42531-2
SHUR PLUG 180 RECEPTACLE 20-16
AWG TPBR

Documents

Product Drawings

[3EP7=F7171 S0](#)

English

CAD Files

[Customer View Model](#)

[ENG_CVM_CVM_6609037-3_P1.3d_igs.zip](#)

English

[Customer View Model](#)



[ENG_CVM_CVM_6609037-3_P1.3d_stp.zip](#)

English

Customer View Model

[ENG_CVM_CVM_6609037-3_P1.2d_dxf.zip](#)

English

3D PDF

3D

By downloading the CAD file I accept and agree to the [Terms and Conditions](#) of use.

Datasheets & Catalog Pages

[1654001_CORCOM_PRODUCT_GUIDE](#)

English

[1654001_CORCOM_PRODUCT_GUIDE_EP_VP](#)

English

Corcom Combined Selector Charts

English

[1-1654250-1_CORCOM_EMI_RFI_QRG](#)

English