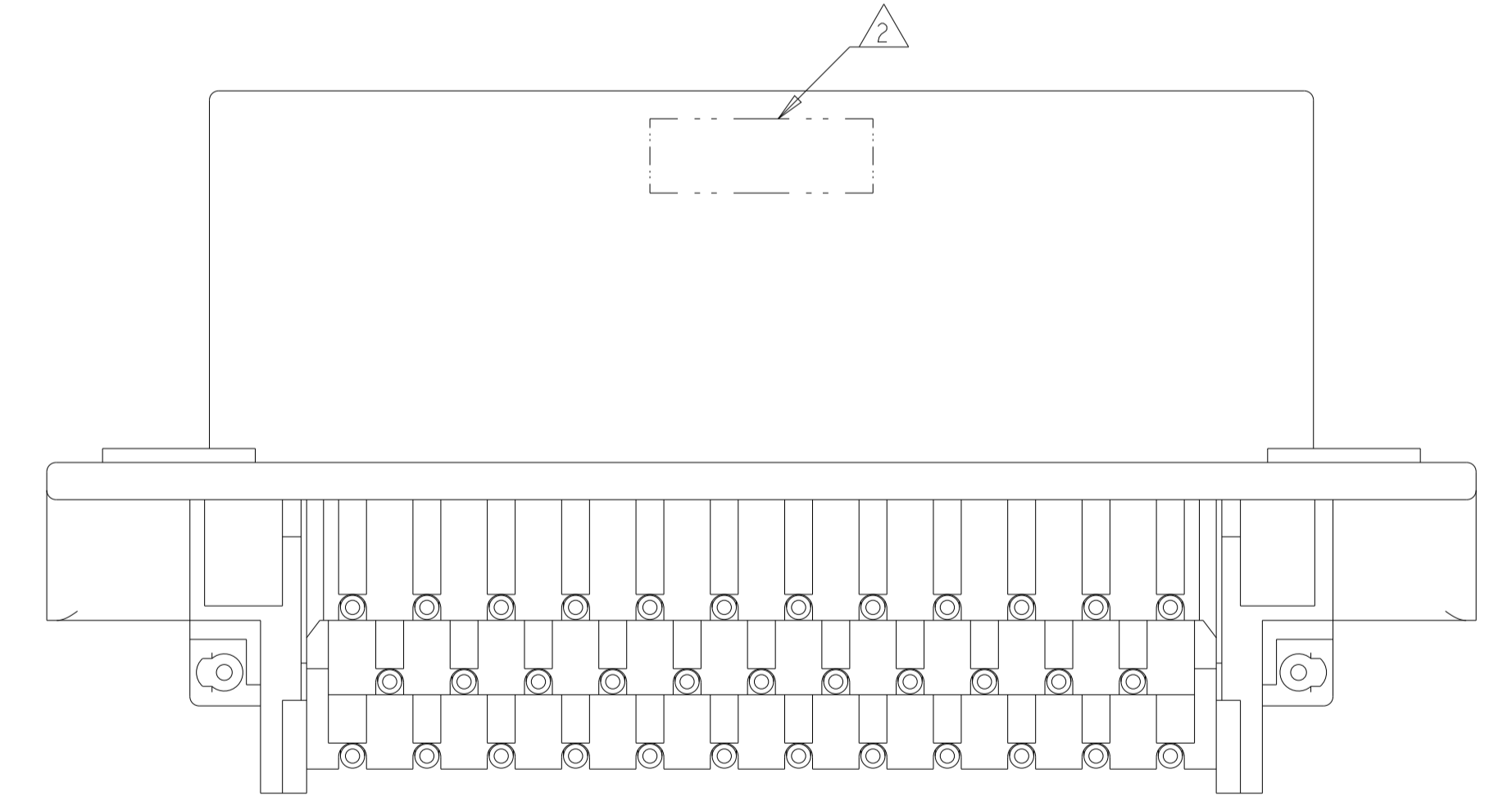
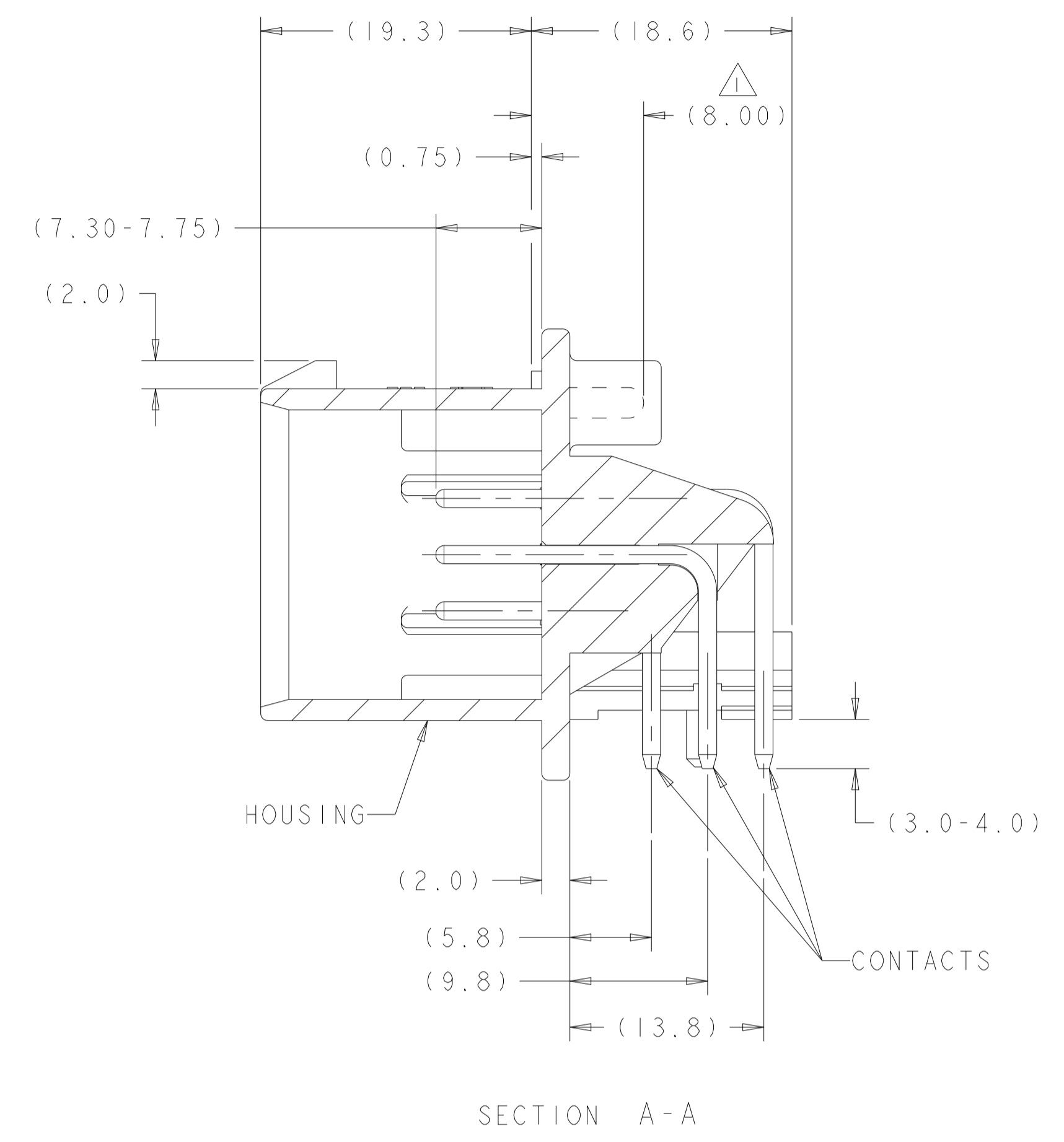
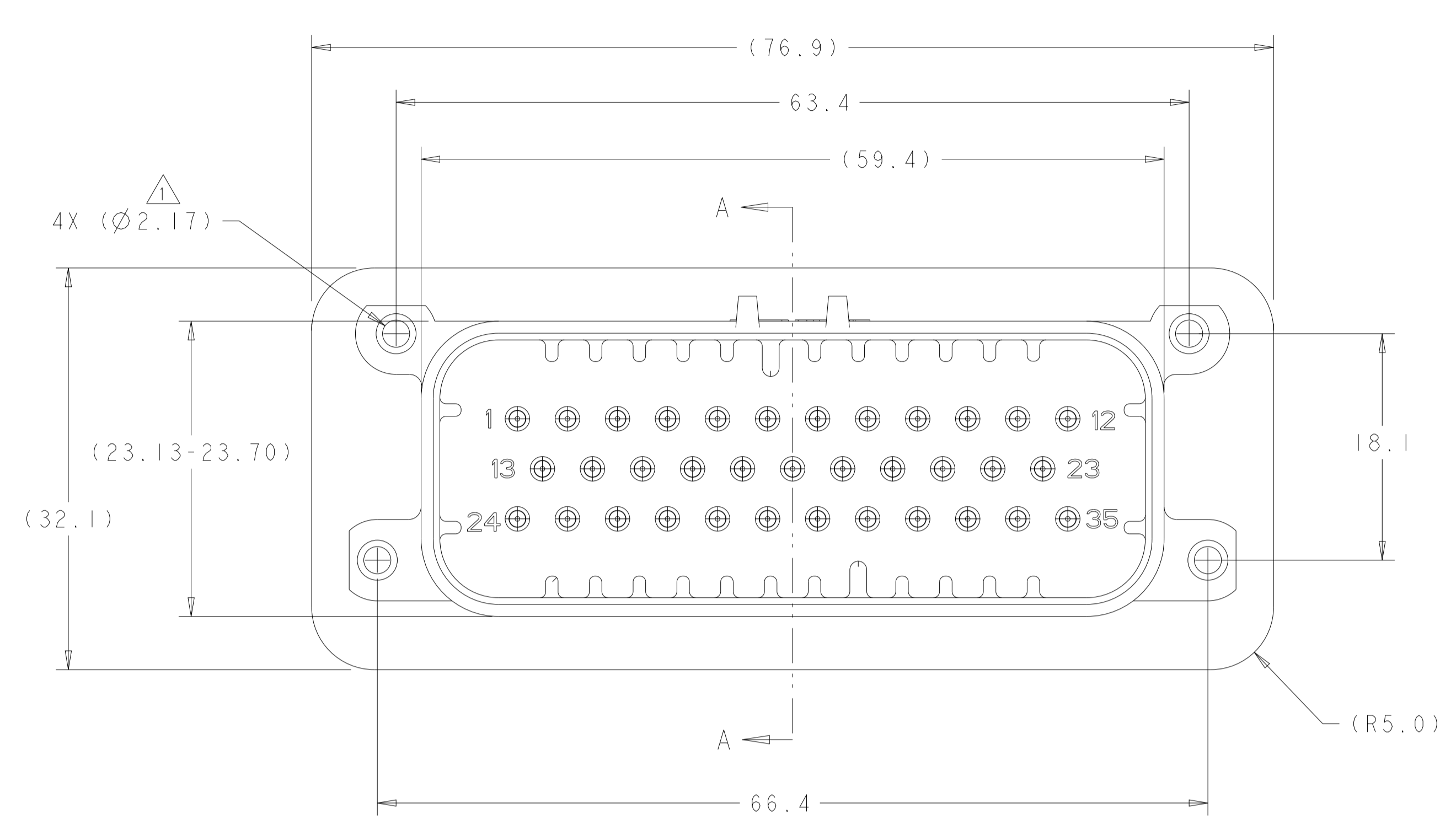


REVISIONS				
P	LTR	DESCRIPTION	DATE	APPV
H8		REV PER ECO-19-009419	19JUN2019	DS DS
H9		REV PER ECO-20-004256	25MAR2020	JM DS
H10		REVISED PER PCN E-20-016603	24NOV2020	PN DS
J		REVISED PER ECR-22-153179	18OCT2022	DK CB



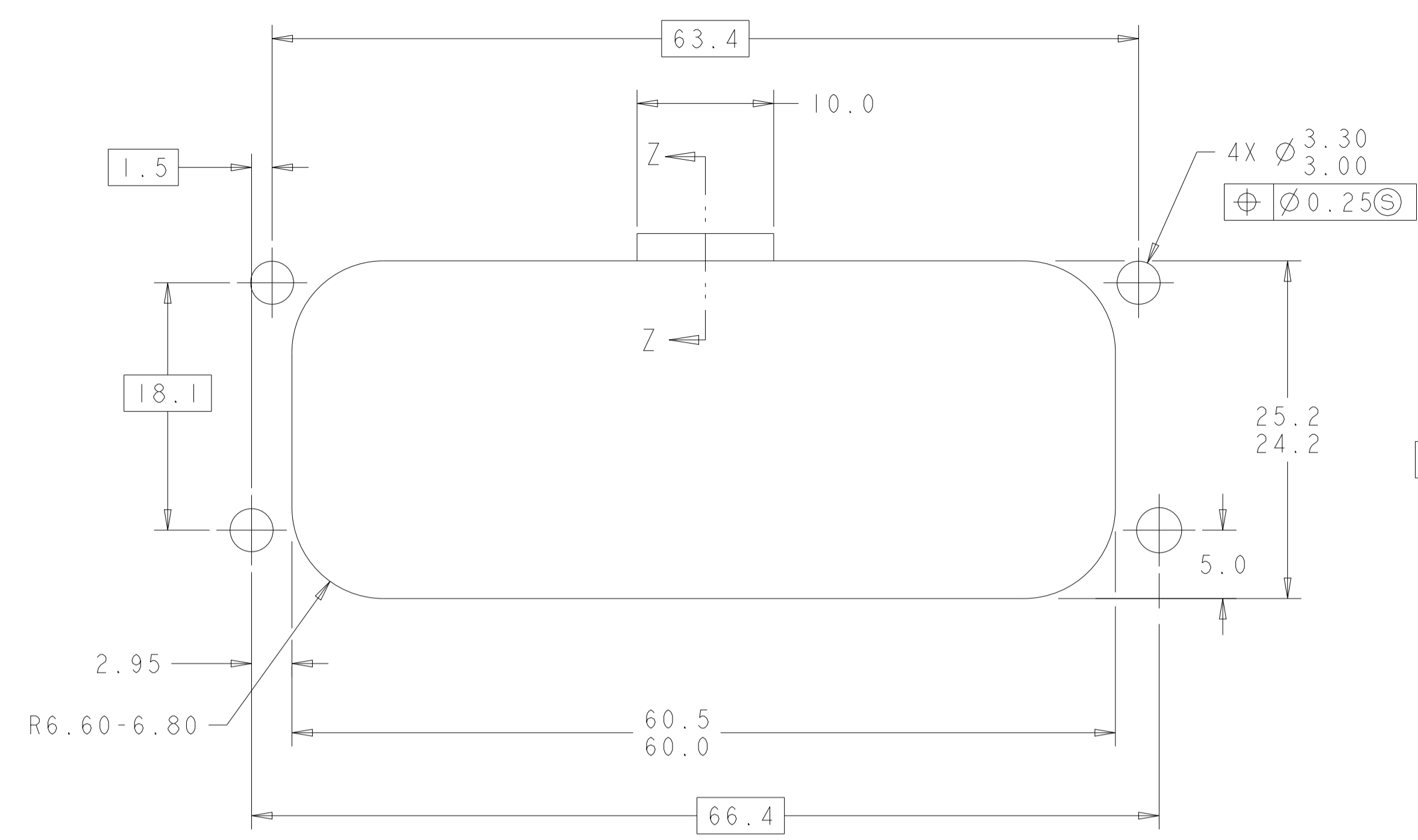
- 1 SUGGESTED MOUNTING SCREW SIZE IS Ø2.50-3.00mm [Ø0.099 - 0.118 INCH] SELF TAPPING THREAD FORMING SCREW, SUCH AS DELTA PT, TO BE DRIVEN AT 0.6-0.8 N-m. THE CUSTOMER SHOULD TEST THE SCREW SIZE AND TYPE IN ORDER TO VERIFY THEIR SELECTION FOR THEIR APPLICATION.
- 2 DATE CODE IN THIS LOCATION USING 5 DIGIT CODE. FIRST 2 DIGITS = YEAR, SECOND 2 DIGITS = WEEK, LAST DIGIT = DAY.
- 3 HOUSING COLORS ARE MECHANICALLY KEYED TO MATE ONLY WITH IDENTICALLY COLORED PLUG ASSEMBLIES.
- 4 MATERIAL: HEADER HOUSING - GLASS FILLED PBT; PINS - TIN OR GOLD PLATED BRASS.
- 5. HEADER MATES TO PLUG ASSEMBLY 776164 WHICH USES REELED TERMINAL 770520 OR LOOSE PIECE TERMINAL 770854.

776180-1 & 1-776180-1  
 KEY LOCATION AS SHOWN

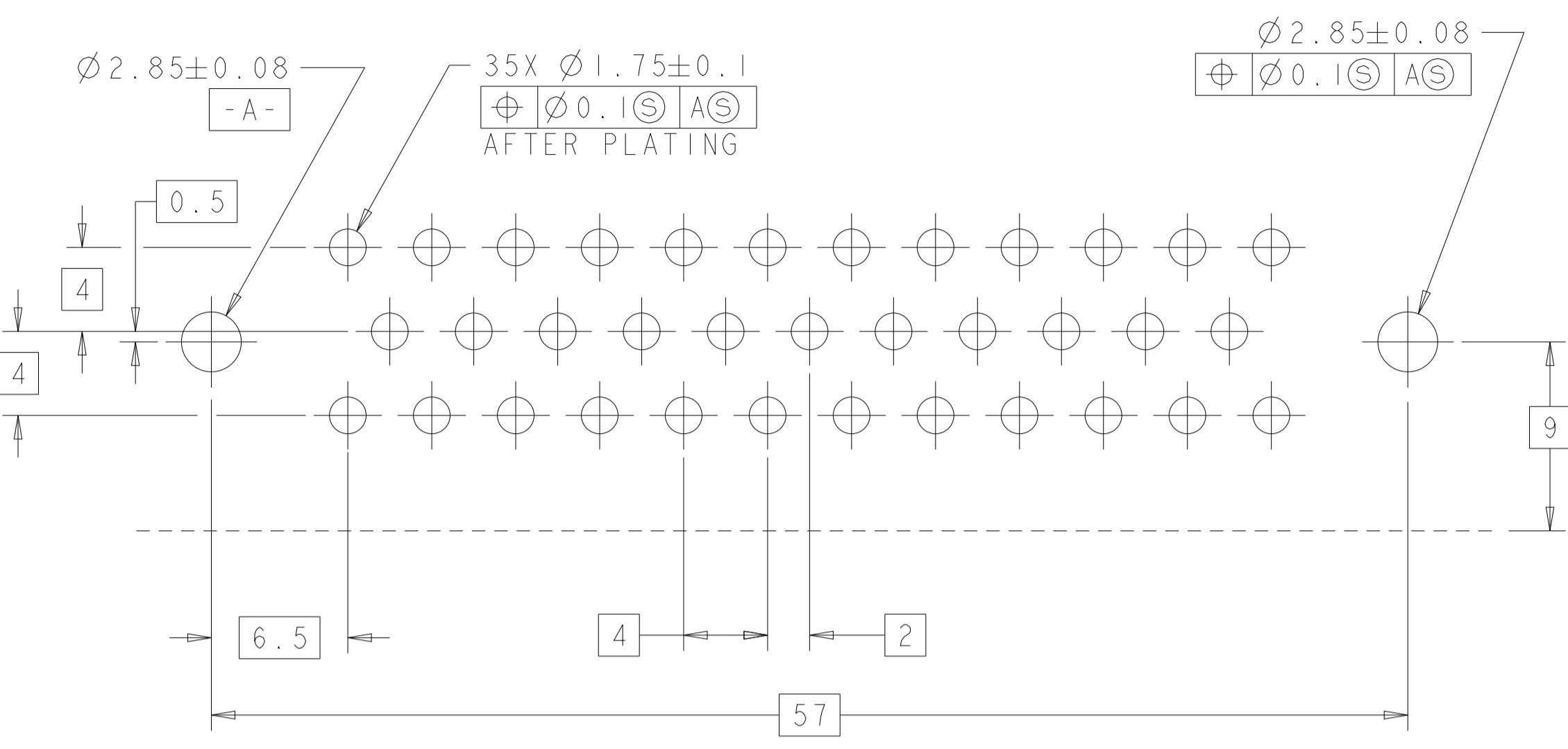
GOLD	ORANGE	1-776180-6
GOLD	BLUE	1-776180-5
GOLD	GRAY	1-776180-4
GOLD	NATURAL (WHITE)	1-776180-2
GOLD	BLACK	1-776180-1
TIN	BLUE	776180-5
TIN	GRAY	776180-4
TIN	NATURAL (WHITE)	776180-2
TIN	BLACK	776180-1
FINISH	HEADER COLOR	PART NUMBER

THIS DRAWING IS A CONTROLLED DOCUMENT.		OWN: R. VESTAL 31DEC2002	NAME: HEADER ASSEMBLY, 35 POSITION, RIGHT ANGLE, AMPSEAL	
DIMENSIONS: mm		CHK: D. CROWE 31DEC2002	RESTRICTED TO: -	
TOLERANCES UNLESS OTHERWISE SPECIFIED:		APPV: D. CROWE 31DEC2002	SCALE: 4:1	
0 PLC	±0.2	PRODUCT SPEC	SHEET 1 OF 2	
2 PLC	±	108-1329	REV J	
3 PLC	±	APPLICATION SPEC		
4 PLC	±	114-16016		
ANGLES	±	WEIGHT 40.45g		
FINISH	±	CUSTOMER DRAWING		

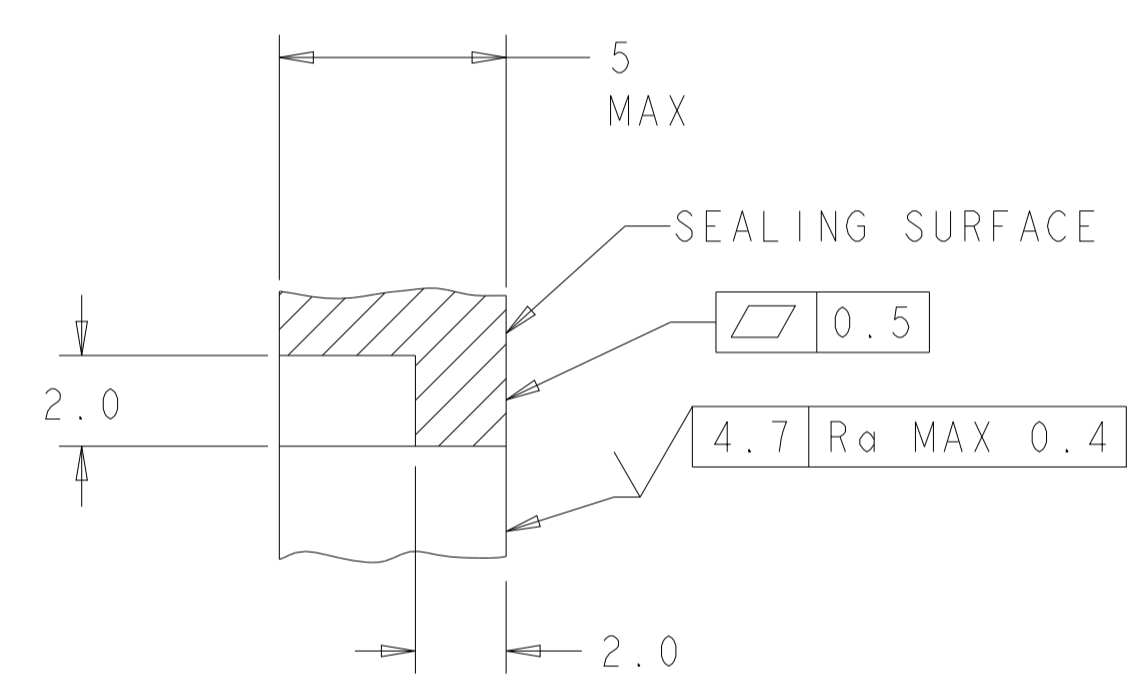
REVISIONS				
P.	LTN.	DESCRIPTION	DATE	APVD.
-	-	SEE SHEET 1	-	-



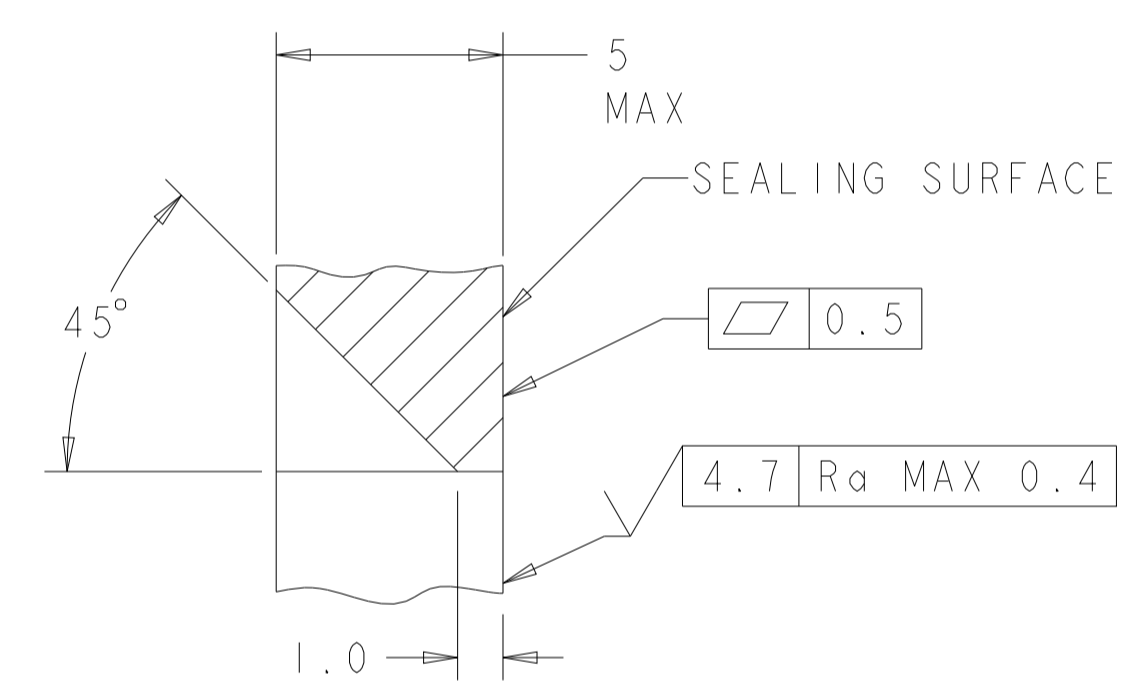
RECOMMENDED MOUNTING HOLE LAYOUT  
 FOR 5.0 MAX THICK PANEL  
 SCALE 3:1



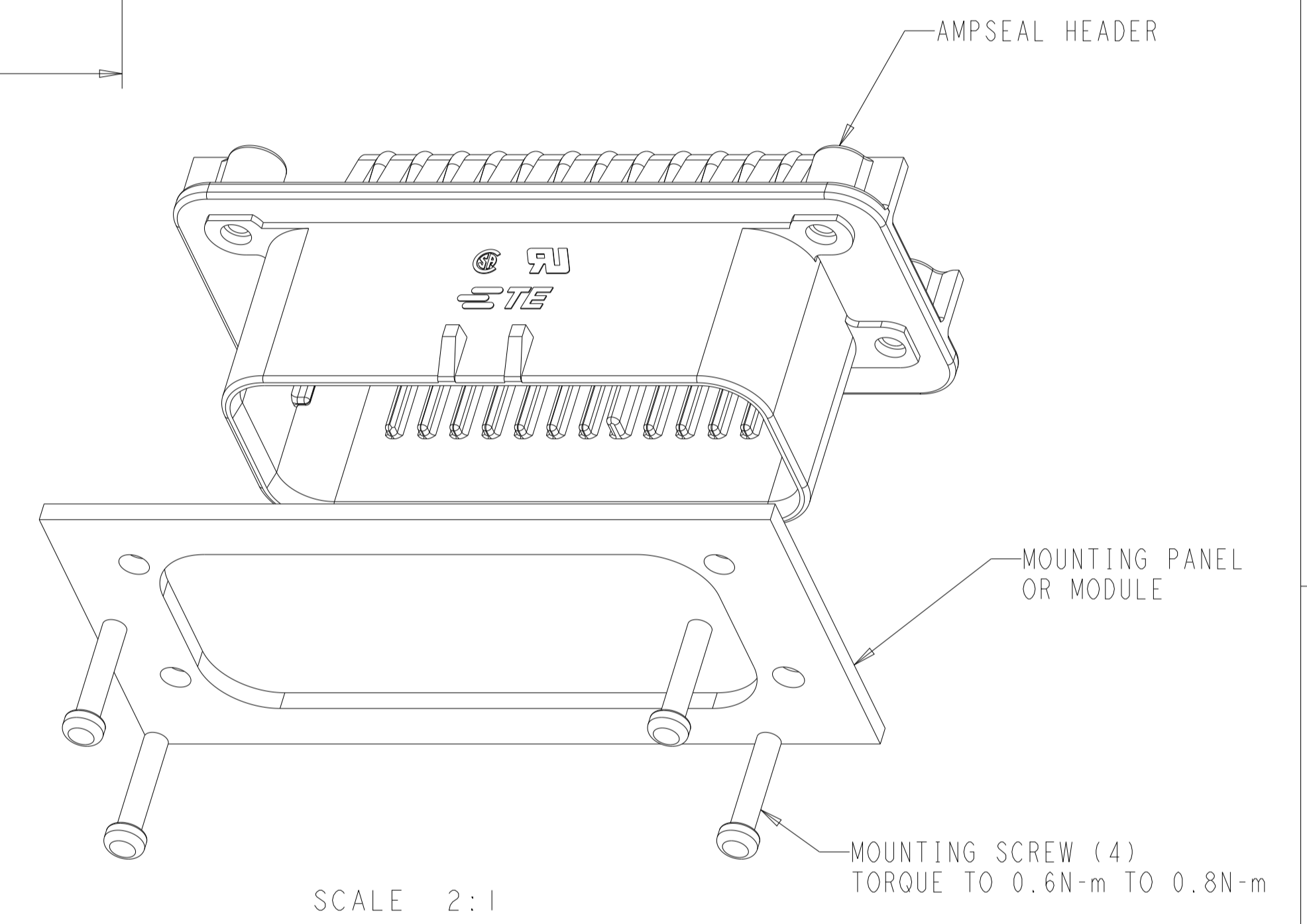
RECOMMENDED P.C. BOARD LAYOUT  
 FOR 1.57 THICK P.C. BOARD



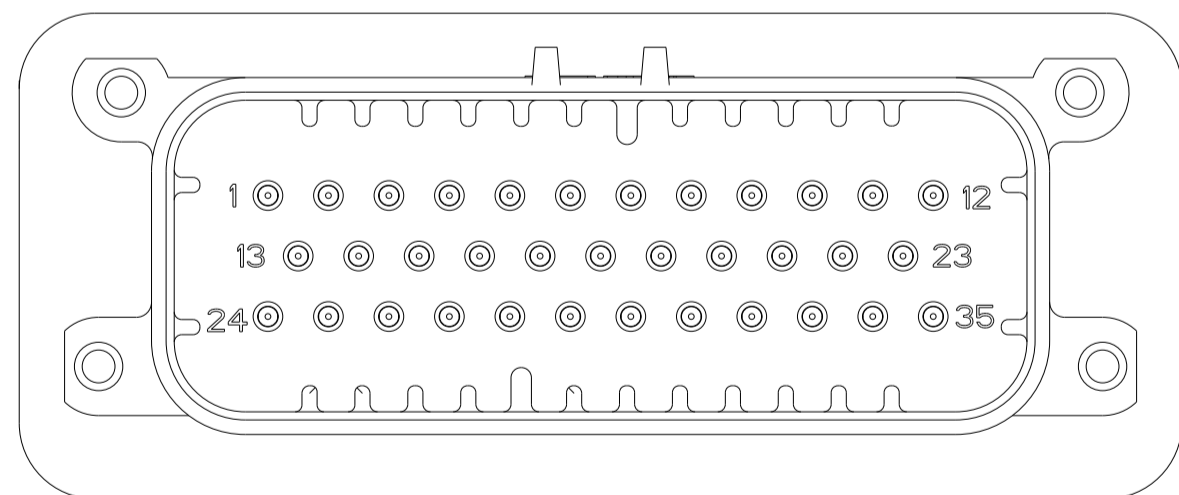
SECTION Z-Z  
 OPTIONAL CONSTRUCTION IF  
 THICKNESS IS GREATER THAN 2.0  
 SCALE 6:1



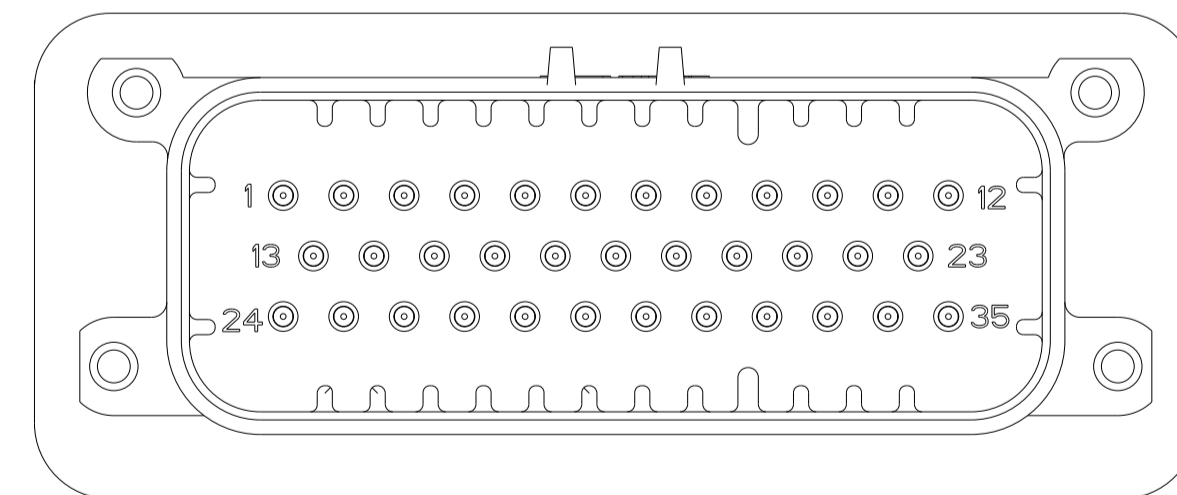
SECTION Z-Z  
 OPTIONAL CONSTRUCTION IF  
 THICKNESS IS GREATER THAN 2.0  
 SCALE 6:1



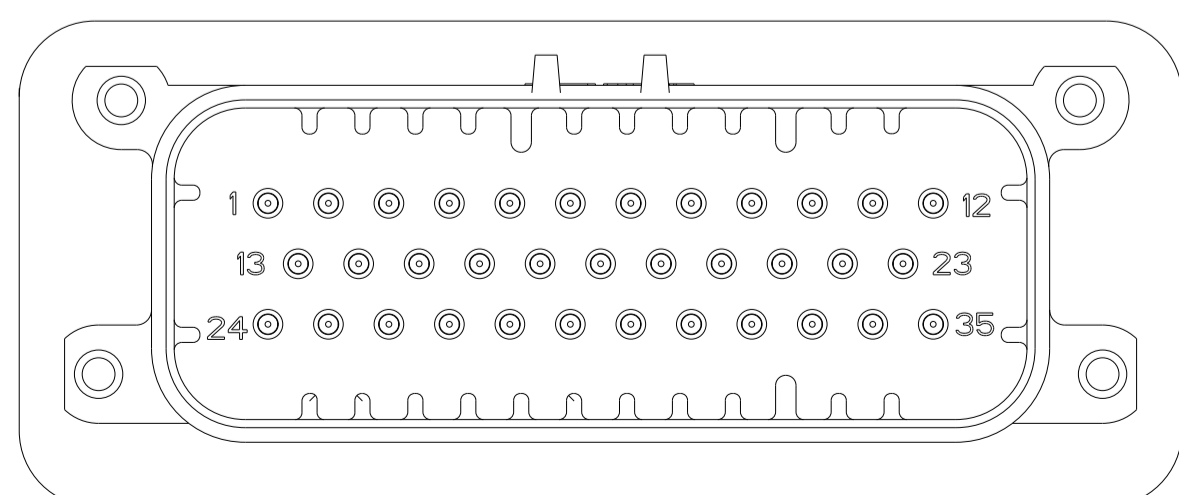
SCALE 2:1



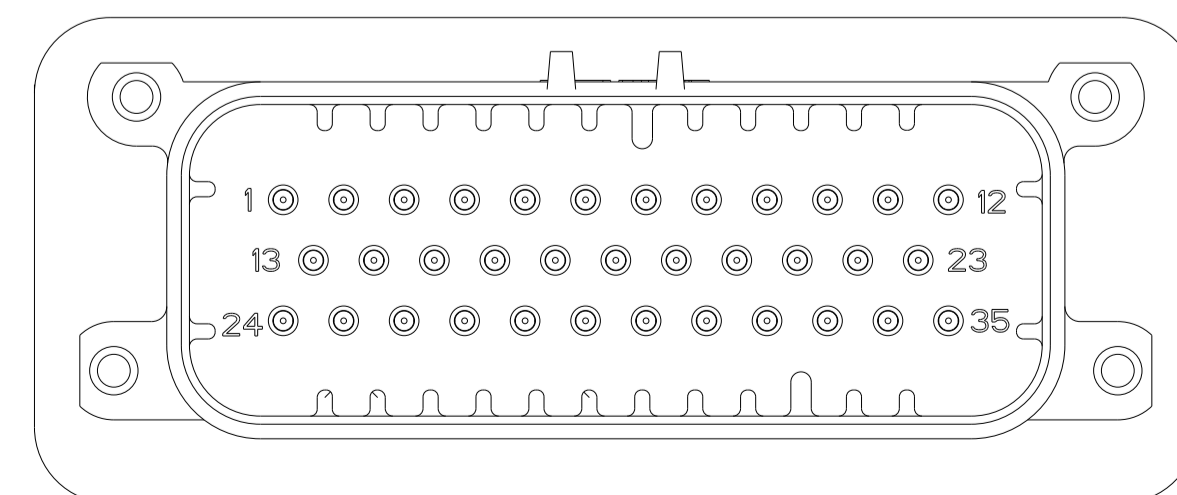
776180-2 & 1-776180-2  
 KEY LOCATION AS SHOWN  
 SCALE 2:1



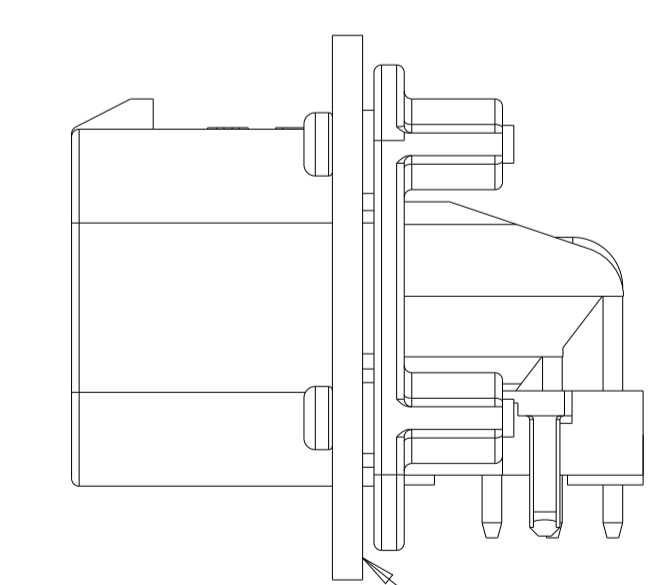
776180-4 & 1-776180-4  
 KEY LOCATION AS SHOWN  
 SCALE 2:1



776180-5 & 1-776180-5  
 KEY LOCATION AS SHOWN  
 SCALE 2:1



1-776180-6  
 KEY LOCATION AS SHOWN  
 SCALE 2:1



SCALE 2:1

ENSURE THE HEADER IS FLUSH  
 TO THE PANEL FACE ALL AROUND  
 BEFORE TIGHTENING TO FINAL TORQUE

THIS DRAWING IS A CONTROLLED DOCUMENT.		OWN: R. VESTAL 31DEC2002	TE Connectivity
DIMENSIONS: mm		CHK: D. CROWE 31DEC2002	
TOLERANCES UNLESS OTHERWISE SPECIFIED:		APVD: D. CROWE 31DEC2002	NAME: HEADER ASSEMBLY, 35 POSITION, RIGHT ANGLE, AMPSEAL
0 PLC	±	PRODUCT SPEC	SIZE: CAGE CODE   DRAWING NO.   RESTRICTED TO
1 PLC	±0.2	108-1329	A100779C=776180
2 PLC	±	APPLICATION SPEC	WEIGHT: 40.45g
3 PLC	±	114-16016	CUSTOMER DRAWING
4 PLC	±	FINISH	SCALE: 4:1 SHEET: 2 OF 2 REV: J