

8

7

6

5

4

3

2

1

WD57M- X X X X XX

SWITCH FUNCTION CODE	SWITCH FUNCTION DESCRIPTION
1	MECHANICAL,MOMENTARY,SOLDER TERMINAL
A	MECHANICAL,MOMENTARY,WIRELEADS

HOUSING MATERIAL CODE	HOUSING DESCRIPTION
1	ZINC ALLOY,VELOUR CHROMED PLATED

ILLU. TYPE CODE	ILLUMINATION TYPE DESCRIPTION
0	NON-ILLUMINATION
2	RING ILLUMINATION
3	POWER/STANDBY SYMBOL ILLUMINATION

LED COLOR CODE	LED COLOR
N	NONE
R	RED
G	GREEN
Y	YELLOW
A	AMBER
B	BLUE
W	WHITE
RB	RED/BLUE
RG	RED/GREEN

LED INLET VOLTAGE CODE		LED INLET VOLTAGE
NON-WIRELEADS	IF BLANK*	(SEE NOTE)
	05	5V
WIRELEADS	IF BLANK*	(SEE NOTE)
	05	5V
	12	12V
	24	24V

**MECHANICAL CHARACTERISTICS:**

SWITCH CIRCUITRY: SPST-NO-DB (CONTACT FORM X)  
 SWITCH ACTION: MOMENTARY  
 BUTTON TRAVEL: 1.6mm [.063] NOMINAL  
 OPERATING FORCE: 306g [3N] NOMINAL  
 CONTACT BOUNCE: 1ms NOMINAL  
 PANEL THICKNESS: 0.5 - 5.0mm [.020 - .197]  
 SWITCH CONTACTS: SILVER PLATED  
 NUT TORQUE FORCE: 11.5 kgf/cm [MAX 10 LB/in]

**ENVIROMENTAL SPECIFICATIONS:**

ACTUATOR INGRESS PROTECTION: IP67  
 OPERATING TEMPERATURE:  
 NON-ILLUMINATION TYPE: -40°C to +85°C [-40°F to +185°F]  
 ILLUMINATION TYPE: -40°C to +85°C [-40°F to +185°F]  
 MOMENTARY:-40°C to +85°C [-40°F to +185°F]

**ELECTRICAL SPECIFICATIONS:**

CURRENT RATINGS: 10mA@12VDC, 100K cycles  
 DIELECTRIC STRENGTH: 1,000VAC  
 INSULATION RESISTANCE: 1G OHM  
 CONTACT RESISTANCE:  
 50m OHMS MAX INITIAL(NON-WIRELEADS)  
 250m OHMS MAX INITIAL(WIRELEADS)

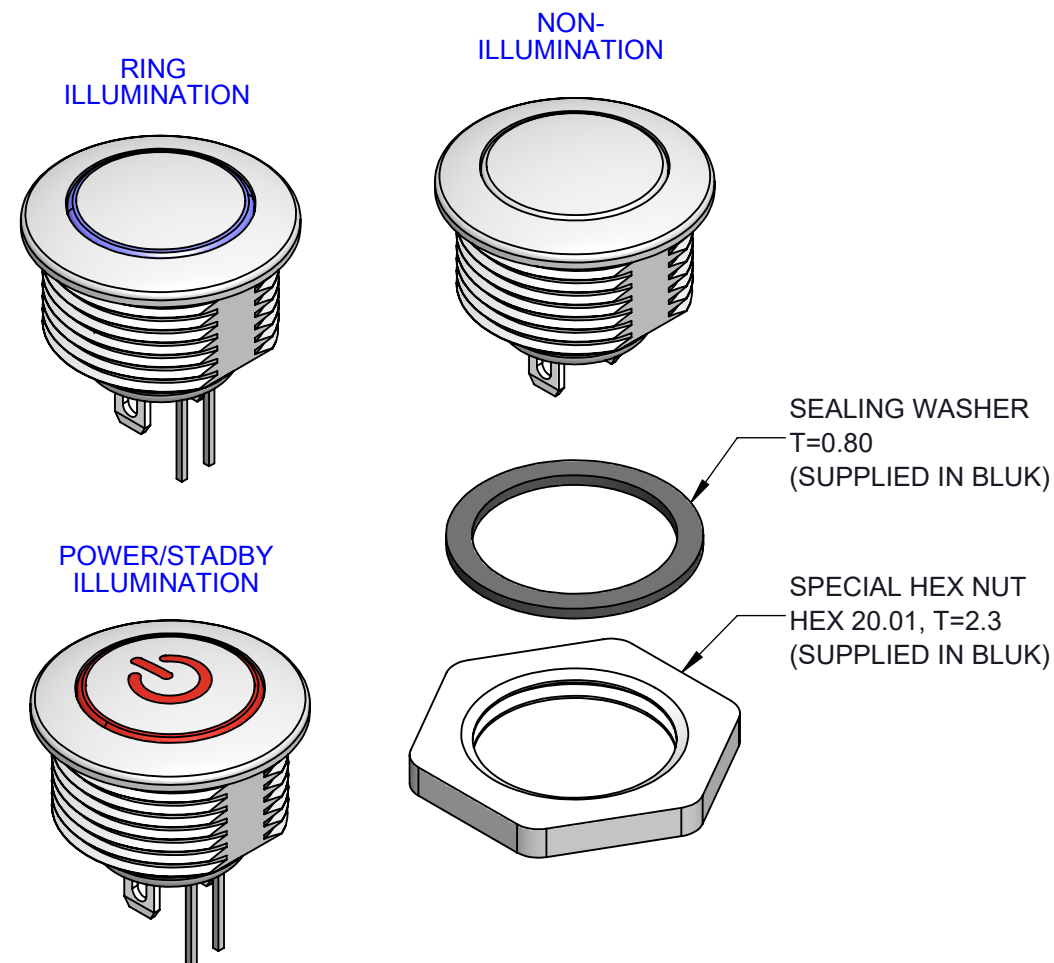
**NOTE**

- CURRENT LIMITING RESISTOR IS REQUIRED TO LIMIT LED FORWARD CURRENT TO 20mA
- SUPPLY HEX NUT AND SEALING WASHER BULK PACKED.
- INNER RESISTOR ONLY FOR LED :RED / BLUE / GREEN / WHITE.

LED SPECIFICATION					
LED CODE	LED SINGLE COLOR	Vf(VDC)	If (mA)	CIRCUITRY	
		TYP.			
R	RED	2.0	20		
A	AMBER	2.0	20		
Y	YELLOW	2.0	20		
G	GREEN	3.0	20		
B	BLUE	3.1	20		
W	WHITE	3.3	20		
LED CODE	BICOLOR LED		Vf(VDC)	If (mA)	CIRCUITRY
	COLOR1	COLOR2	TYP.		
RB	RED	BLUE	2.0(RED) 3.3(BLUE)	20	
RG	RED	GREEN	2.0(RED) 3.4(GREEN)	20	

NOTE:  
Hand Soldering Temperature (4mmabove from Body) : 320°C for 3 seconds

WIRELEADS SPECIFICATION					
WIRELEADS TYPE	WIRELEADS SPECIFICATION	SW TERMINAL		LED	
		/	O	+	-
ILLUMINATION	AWG26 / UL1007	BLUE	BLUE	RED	BLACK
NON-ILLUMINATION		BLUE	BLUE	--	--



DWG TYPE SALES DRAWING	DRAWN y.w.	TOLERANCES: UNLESS OTHERWISE NOTED X.X ± 0.5 X.XX ± 0.38 ANGULAR ±1	DWG TITLE WD57M-MECHANICAL MOMENTARY, SOLDER TERMINAL, MINI HOUSING, WIRELEADS, NONE/RING/POWER-STANDBY ILLUMINATION			
STATUS RELEASE	REVIEW g.y.		DWG NO. WD57M-1,A			
<small>This document is the intellectual property of ITW Electronic Business Asia Co., Limited and may contain confidential, proprietary, privileged information protected by law. Neither this document nor any information it contains can be reproduced, transformed to any other format, or distributed, without written permission by ITW Electronic Business Asia Co., Limited.          本文件為安夫達百電股份有限公司之智慧財產，非經許可不得翻取、複製、轉變成其他形式使用或散佈。</small>			APPROVED P.L.	THIRD ANGLE PROJECTION 	<input checked="" type="checkbox"/> 管制文件 <input type="checkbox"/> 非管制文件	
			DATE 2012.11.13	REF: S57M-9018X		Unit mm

8

7

6

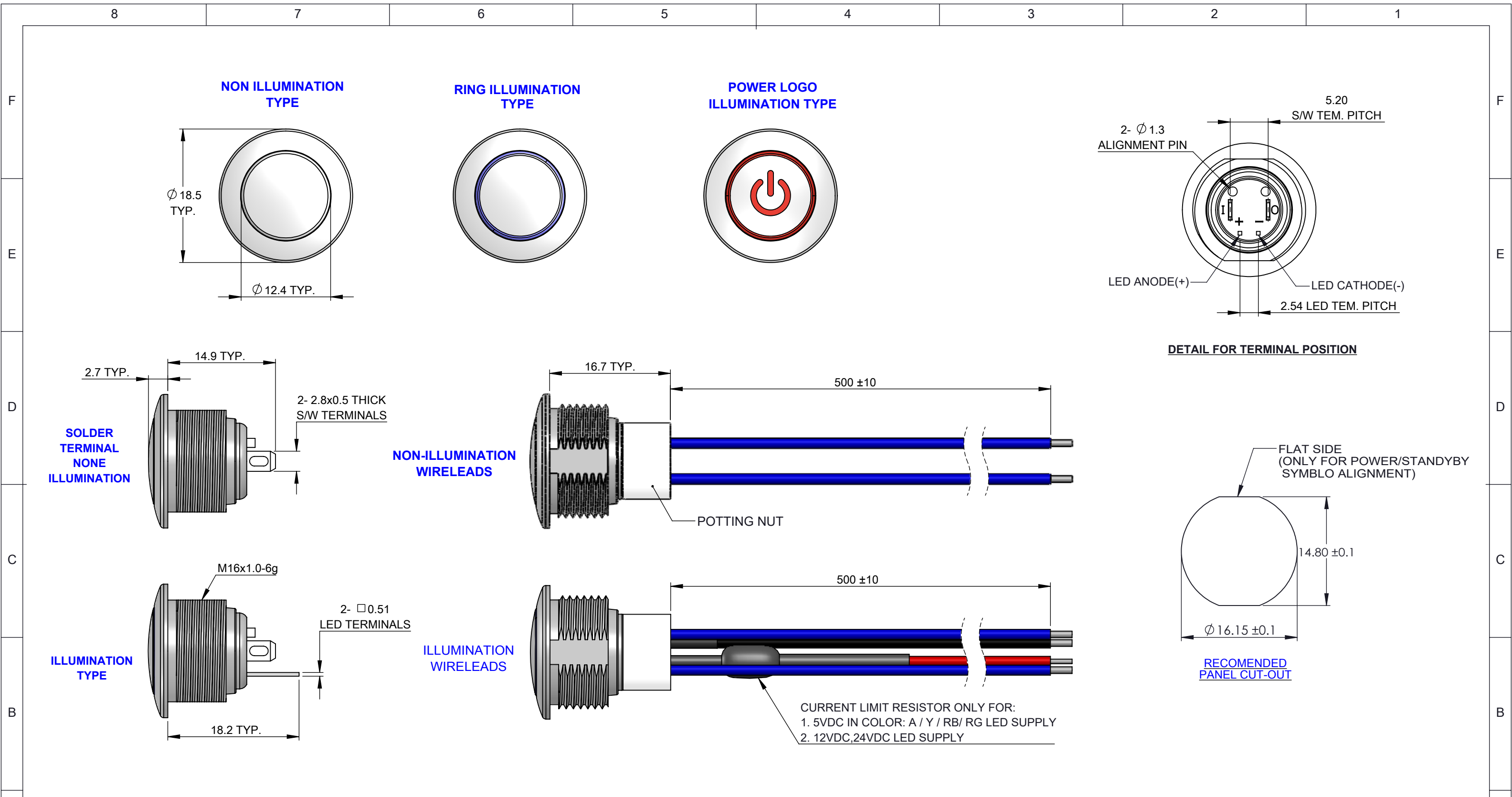
5

4

3

2

1



DWG TYPE SALES DRAWING	DRAWN <i>y.w.</i>	TOLERANCES: UNLESS OTHERWISE NOTED X.X $\pm 0.5$ X.XX $\pm 0.38$ ANGULAR $\pm 1$	DWG TITLE WD57M-MECHANICAL MOMENTARY, SOLDER TERMINAL, MINI HOUSING, WIRELEADS, NONE/RING/POWER-STANDBY ILLUMINATION							
STATUS RELEASE	REVIEW <i>g.y.</i>	THIRD ANGLE PROJECTION 	DWG NO. WD57M-1,A							
<small>This document is the intellectual property of ITW Electronic Business Asia Co., Limited and may contain confidential, proprietary, privileged information protected by law. Neither this document nor any information it contains can be reproduced, transformed to any other format, or distributed, without written permission by ITW Electronic Business Asia Co., Limited.          本文件為英商亞細亞電器有限公司之智慧財產，非經許可不得翻印、複製、轉變成其他形式使用或散佈。</small>			DATE 2012.11.13	REF: S57M-9018X	<input checked="" type="checkbox"/> 管制文件 <input type="checkbox"/> 非管制文件	Unit mm	SCALE 3 : 2	REV 3	RoHS Compliant	SHEET 2 OF 3