



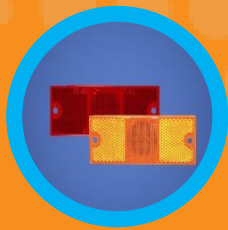
# When safety counts.

---

More than 20 years of providing LED solutions for heavy duty bus applications



Signal Lights



Marker Lights



Head Lights



Auxiliary Lights



### 18 Series

- 4.8" x 1.95"
- 4 Mounting screws 1.19 "x 3.875" pattern
- 12 VDC and 24 VDC
- Auxiliary side turn lamp
- Amber



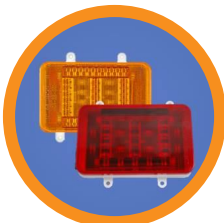
### 48 Series

- 4" Round
- Grommet or flange mount
- Grommet - 94001A
- 12 VDC and 24 VDC
- Front turn signal
- Amber



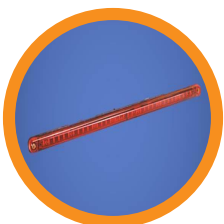
### 69 Series

- 2" x 6" Oval
- Grommet or flange mount
- Grommet - 96001A
- 12 VDC and 24 VDC
- Front turn signal
- Amber



### 80 Series

- 4.1" x 6.4"
- 4 Mounting screws tabs
- 12 VDC and 24 VDC
- S/T/T and rear turn signals
- Red, Amber



### 87 Series

- 18.5" x 1",
- 2 screws on 17.25" centers
- Anodized metal base
- 12 VDC and 24 VDC
- Center High Mount Stop Lamp
- Red



### 46 Series

- 4.0" Round
- Grommet or Flange Mount
- Grommet - 94001A
- 12 VDC and 24 VDC
- S/T/T, reverse, and turn signals
- Red, White, Amber



### 68 Series

- 2" x 6" Oval
- Grommet or flange mount
- Grommet - 96001A
- 12 VDC and 24 VDC
- S/T/T, reverse, and turn signals
- Red, White, Amber



### 70 / 71 Series

- 7" round
- 4 screws on 6.3" diameter
- 12 VDC and 24 VDC
- S/T/T, reverse, and rear turn
- Red, White, Amber



### 84 Series

- 4.6" x 5.5",
- Rear mounting bracket w/2 screw posts
- 12 VDC and 24 VDC
- Red, Amber, White

## LED Auxiliary Turn Signal Mounting Recommendations (when no guard is used)

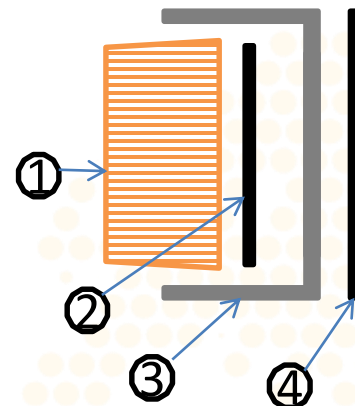
- Mounting plane for the light must be flat and not rounded
- If not provided with the light, select appropriate attachment screw such that the screw threads clear the through holes in the light
- If the light has a recessed area for the screw head, ensure the screw head has clearance between the side walls of the recess and the screw head
- For lights with gaskets position the gasket behind the light to compensate for minor surface irregularities and to seal the light to vehicle interface.
- Tighten screws to a torque of 12 to 14 in-lbs.
- Caution: Loctite is not recommended for use when installing the lights as Loctite contains chemical ingredients that are not compatible with polycarbonate materials
- Caution: Do not over-torque the screws when installing. Over-torqueing of the screws may add stress to the light that could make the light susceptible to failure from cleaning soaps that would attack the light at the stressed area resulting in potential cracking of the light.

## LED Auxiliary Turn Signal Mounting Recommendations (when used with optional guard)

Note: the use of an additional foam gasket and guard are optional but when the guard is used it must be used in conjunction with the foam gasket supplies with the light

- Mounting plane for the light must be flat and not rounded
- If not provided with the light, select appropriate attachment screw such that the screw threads clear the through holes in the light
- If the light has a recessed area for the screw head, ensure the screw head has clearance between the side walls of the recess and the screw head
- Position light (1) and gasket (2) into the guard (3)
- Place gasket that additional gasket (4) between the back of the guard and the bus
- Mount the marker light with guard / gaskets to the bus positioning a nylon washer underneath the screw head so that the screw head does not dig into the polycarbonate lens.
- Mounting torque should be limited to 12 -14 in-lbs.
- Caution: Loctite is not recommended for use when installing the lights as Loctite contains chemical ingredients that are not compatible with polycarbonate materials
- Caution: Do not over-torque the screws when installing. Over-torqueing of the screws may add stress to the light that could make the light susceptible to failure from cleaning soaps that would attack the light at the stressed area resulting in potential cracking of the light.

Item	Description
1	Auxiliary Turn Signal Light
2	Foam Gasket
3	Light Guard
4	Additional Foam Gasket





On when  
it counts.



### Application

- Auxiliary Side Turn (2 wire)
- Auxiliary Side Turn / Marker (3 wire)

### Features & Benefits

- Integral wiring
- Low profile
- Optional armor guards
- Reverse polarity protected
- Maintenance saving
- Lamp guards available

### Mechanical Information

**Mounting Hole Size** 1.84" (46.7 mm)

**Mounting Torque** 12 – 14 in-lbs.

### Electrical Specification

**Nominal Voltage** 12 VDC and 24 VDC

**Typical Current** 2 wire lights  
 12 VDC – 60 mA @ 12 VDC  
 24 VDC – 40 mA @ 24 VDC  
 3 wire lights  
 12 VDC – marker 12 mA,  
 turn 60 mA @ 12 VDC  
 24 VDC – marker 6 mA  
 turn 40 mA @ 24 VDC

### Construction

**Lens Material** Polycarbonate

**Housing material** Polycarbonate

**Sealing Method** Vibration Welded

**Gasket Material** Closed cell foam

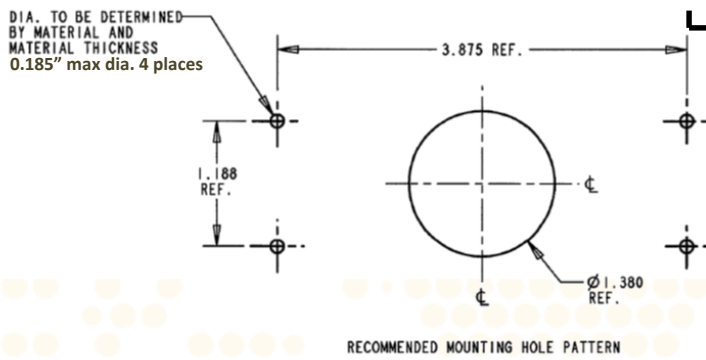
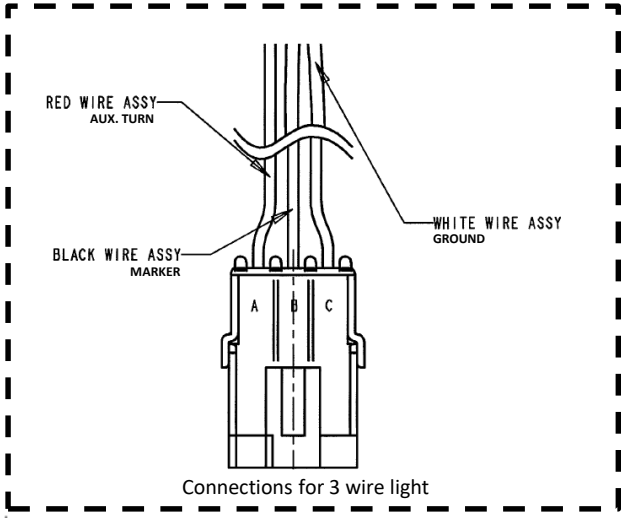
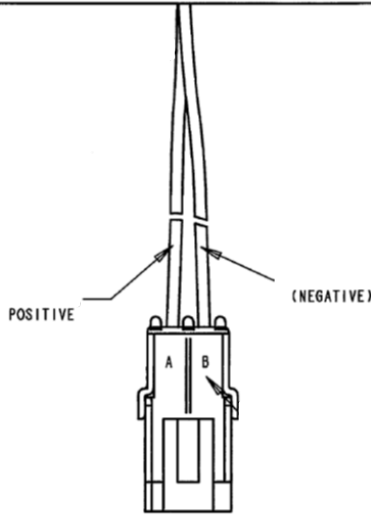
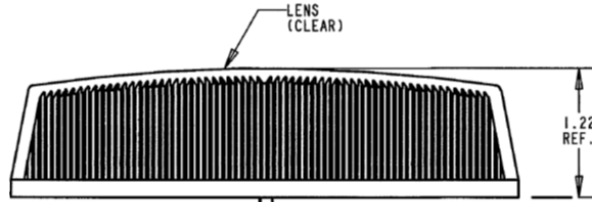
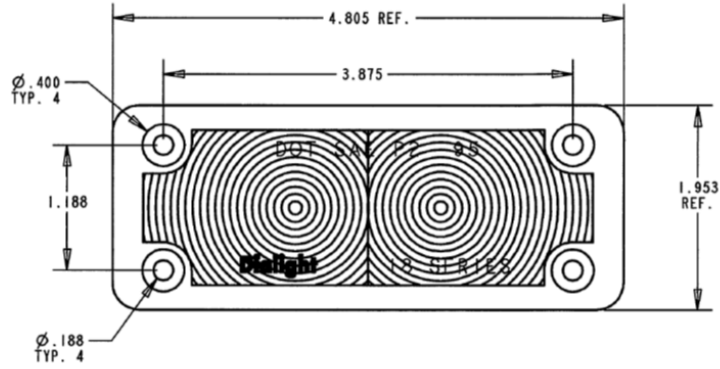
**Connector\*** Delphi 1201-0973 (2 wire)  
 + to position A – to position B

Delphi 1201-0717 (3 wire)  
 Turn – pos. A, marker – pos. B  
 ground – pos. C

### Photometric

**Mounting** Horizontal

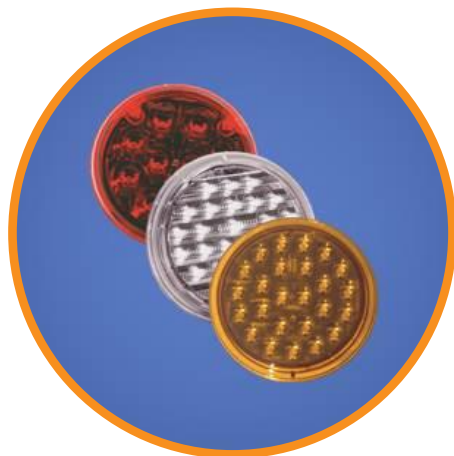
\* Consult Dialight for alternate connector options



Part Number	# Wires	Function	Voltage
18001AB808	2	Aux. side turn	12 VDC
18001AB811	3	Aux. marker / turn	12 VDC
18011AB807	2	Aux. side turn	24 VDC
18011AB828	3	Aux. marker / turn	24 VDC



On when  
it counts.



### Application

- Rear Turn
- Reverse
- Stop / Tail / Turn

### Certifications & ratings

- FMVSS 108

### Features & Benefits

- Integral wiring
- Potted designs
- Grommet or flange mount
- Reverse polarity protected
- Maintenance saving

### Mechanical Information

**Mounting Hole Size** 4.5”  
**Mounting Torque** 12 – 14 in-lbs. (flange mount)

### Electrical Specification

**Nominal Voltage** 12 VDC and 24 VDC  
**Typical Current** Amber turn  
 12 VDC – 420 mA @ 12.8 VDC  
 24 VDC – 250 mA @ 25 VDC  
 White reverse  
 12 VDC – 80 mA @ 14 VDC  
 24 VDC – 65 mA @ 25 VDC  
 Red S/T/T lights  
 12 VDC – tail 35 mA @ 12.8 VDC,  
 S/T 210 mA @ 12.8 VDC  
 24 VDC – tail 30 mA @ 25 VDC  
 S/T 130 mA @ 25 VDC

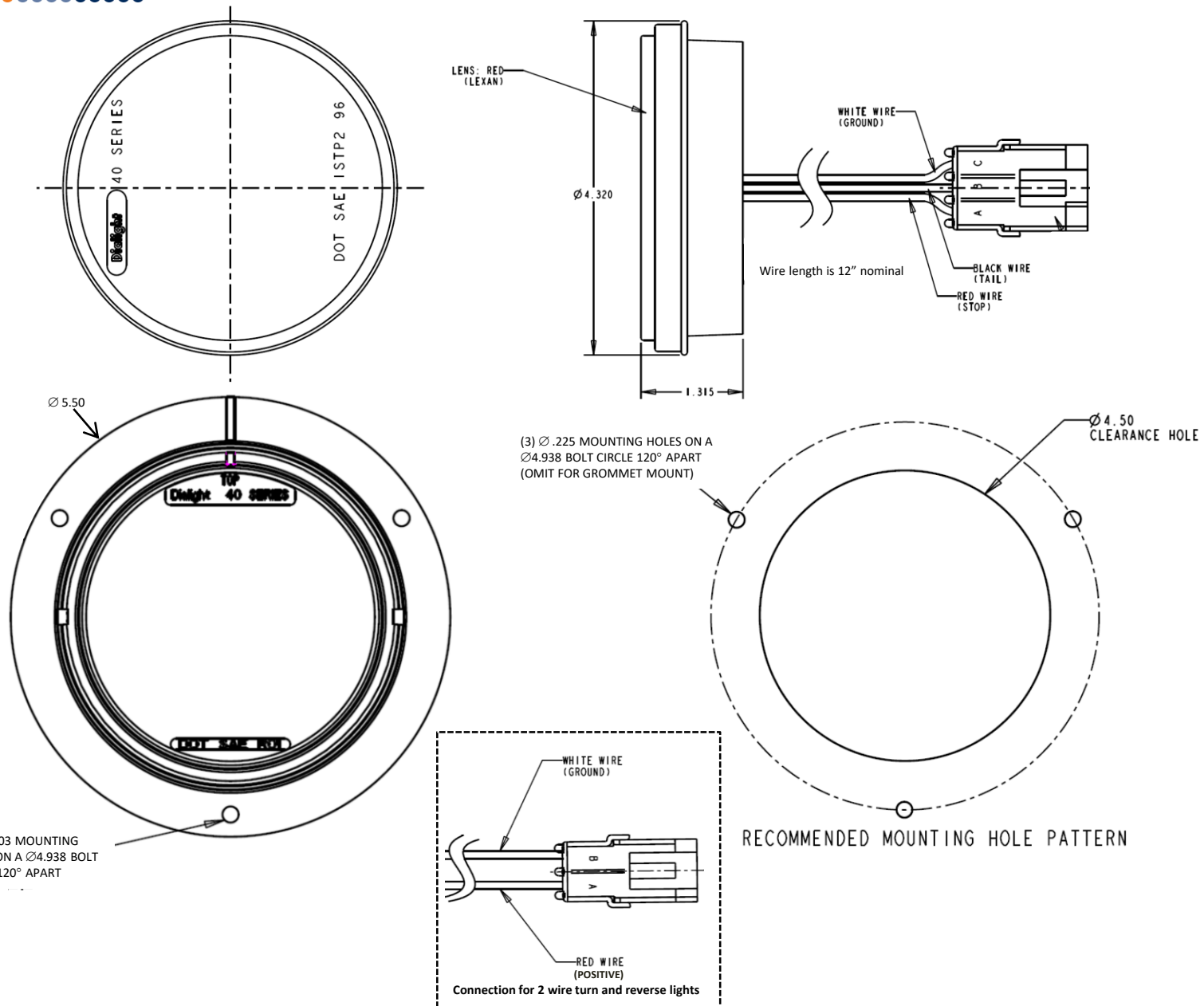
### Construction

**Lens Material** Hard coated polycarbonate  
**Sealing Method** Potted  
**Connector\*** Delphi 1201-0973 turn / reverse  
 + to position A – to position B  
 Delphi 1201-0717 red S/T/T  
 Stop / Turn – pos. A, Tail – pos. B  
 ground – pos. C

### Photometric

**FMVSS 108** Rear Turn, Reverse, S/T/T (see table)  
**Mounting** ± 5° Slope

\* Consult Dialight for alternate connector options



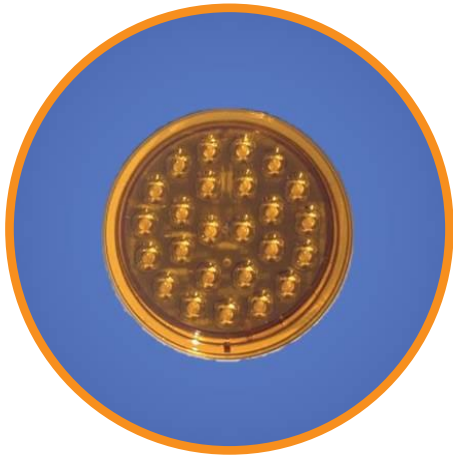
Part Number	Color	Function	Voltage	Mounting	
				Grommet	Black Flanged *
46121AB	Amber	Rear turn	12 VDC	✓	
46121CB	White	Reverse	12 VDC	✓	
46121RB	Red	S/T/T	12 VDC	✓	
46123AB	Amber	Rear turn	24 VDC	✓	
46123CB	White	Reverse	24 VDC	✓	
46123RB	Red	S/T/T	24 VDC	✓	
46261AB	Amber	Rear turn	12 VDC		✓
46261CB	White	Reverse	12 VDC		✓
46261RB	Red	S/T/T	12 VDC		✓
46263AB	Amber	Rear turn	24 VDC		✓
46263CB	White	Reverse	24 VDC		✓
46263RB	Red	S/T/T	24 VDC		✓

\*White Flange also available contact Dialight





On when  
it counts.



### Application

- Front Turn

### Certifications & ratings

- FMVSS 108

### Features & Benefits

- Integral wiring
- Potted design
- Grommet or flange mount
- Reverse polarity protected
- Maintenance saving

### Mechanical Information

**Mounting Hole Size** 4.5"

**Mounting Torque** 12 – 14 in-lbs. (flange mount)

### Electrical Specification

**Nominal Voltage** 12 VDC and 24 VDC

**Typical Current** 12 VDC – 420 mA @ 12.8 VDC  
24 VDC – 290 mA @ 25.6 VDC

### Construction

**Lens Material** Hard coated polycarbonate

**Sealing Method** Potted

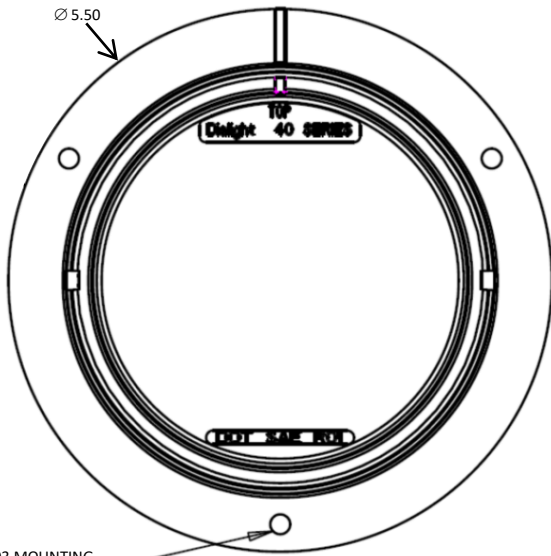
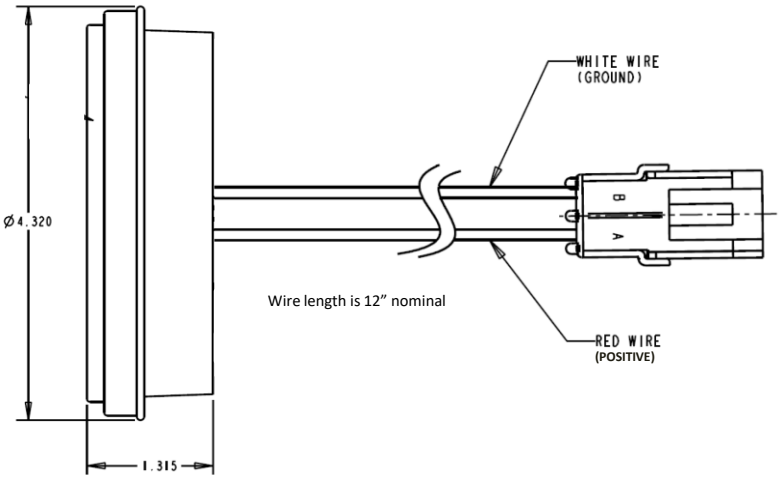
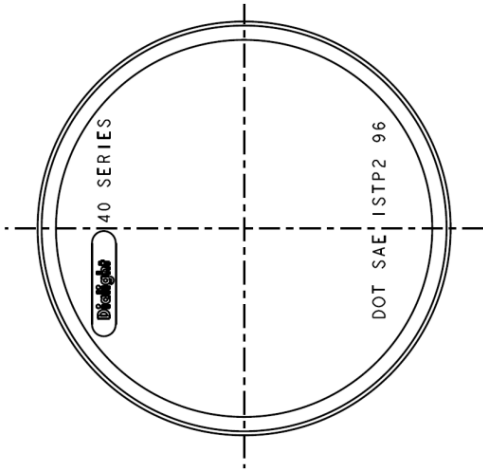
**Connector\*** Delphi 1201-0973 (2 wire)  
+ to position A – to position B

### Photometric

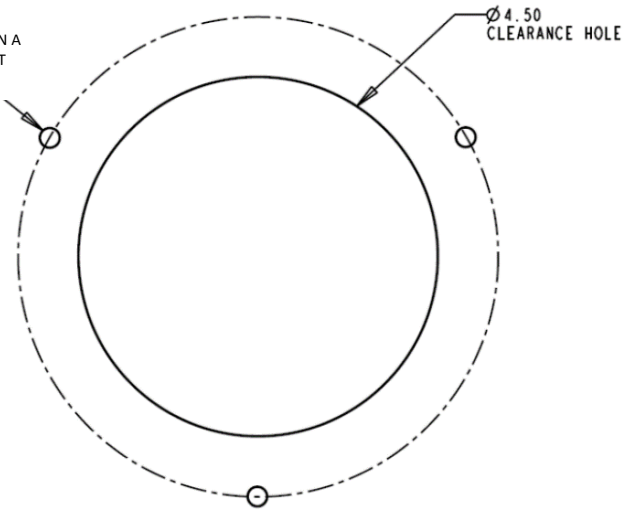
**FMVSS 108** Front Turn

**Mounting** ± 5° Slope

\* Consult Dialight for alternate connector options



(3)  $\varnothing$ .225 MOUNTING HOLES ON A  $\varnothing$ 4.938 BOLT CIRCLE 120° APART (OMIT FOR GROMMET MOUNT)



RECOMMENDED MOUNTING HOLE PATTERN

(3)  $\varnothing$ .203 MOUNTING HOLES ON A  $\varnothing$ 4.938 BOLT CIRCLE 120° APART

Part Number	Color	Function	Voltage	Mounting	
				Grommet	Black Flanged*
48121AB	Amber	Front turn	12 VDC	✓	
48133AB	Amber	Front turn	24 VDC	✓	
48261AB	Amber	Front turn	12 VDC		✓
48263AB	Amber	Front Turn	24 VDC		✓

\*White Flange also available contact Dialight



On when  
it counts.



### Application

- Rear Turn
- Reverse
- Stop / Tail / Turn

### Certifications & ratings

- FMVSS 108

### Features & Benefits

- Integral wiring
- Potted designs
- Grommet or flange mount
- Reverse polarity protected
- Maintenance saving

### Mechanical Information

**Mounting Hole Size** See mounting hole pattern on page 2  
**Mounting Torque** 12 – 14 in-lbs. (flange mount)

### Electrical Specification

**Nominal Voltage** 12 VDC and 24 VDC  
**Typical Current** Amber turn  
 12 VDC – 420 mA @ 12.8 VDC  
 24 VDC – 260 mA @ 25.6 VDC  
 White reverse  
 12 VDC – 185 mA @ 12.8 VDC  
 24 VDC – 85 mA @ 25.6 VDC  
 Red S/T/T lights  
 12 VDC – tail 20 mA @ 12.8 VDC,  
 S/T 240 mA @ 12.8 VDC  
 24 VDC – tail 9 mA @ 25.6 VDC  
 S/T 95 mA @ 25.6 VDC

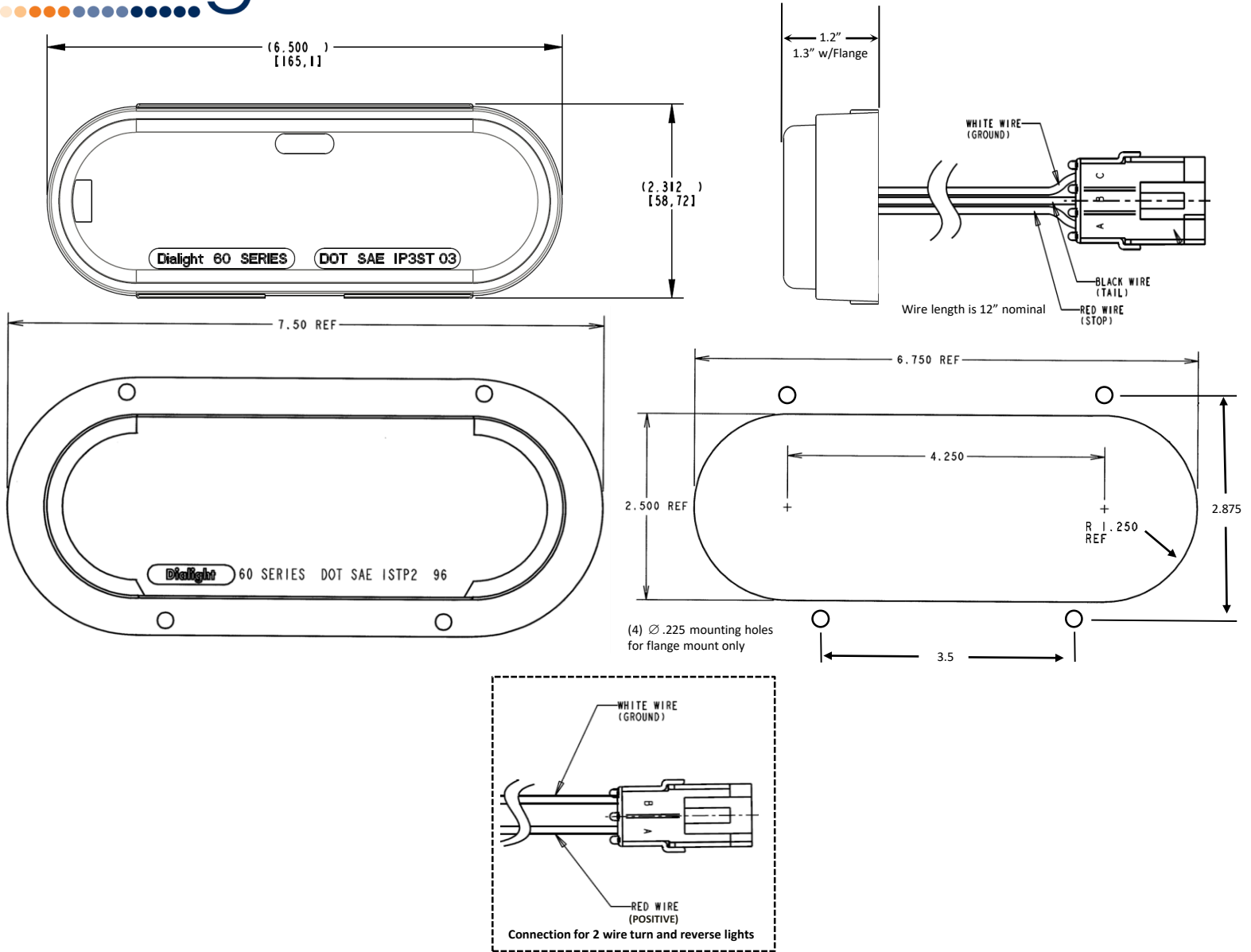
### Construction

**Lens Material** Hard coated polycarbonate  
**Sealing Method** Potted  
**Connector\*** Delphi 1201-0973 turn / reverse  
 + to position A – to position B  
 Delphi 1201-0717 red S/T/T  
 Stop / Turn – pos. A, Tail – pos. B  
 ground – pos. C

### Photometric

**FMVSS 108** Rear Turn, Reverse, S/T/T (see table)  
**Mounting** ± 5° Slope , Vertical or Horizontal

\* Consult Dialight for alternate connector options

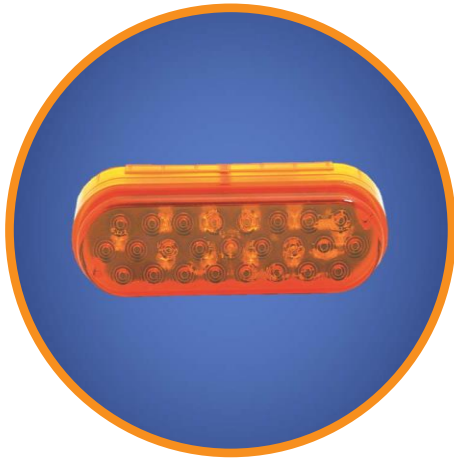


Part Number	Color	Function	Voltage	Mounting	
				Grommet	Black Flanged *
68121AB	Amber	Rear turn	12 VDC	✓	
68121CB	White	Reverse	12 VDC	✓	
68121RB	Red	S/T/T	12 VDC	✓	
68123AB	Amber	Rear turn	24 VDC	✓	
68123CB	White	Reverse	24 VDC	✓	
68123RB	Red	S/T/T	24 VDC	✓	
68261AB	Amber	Rear turn	12 VDC		✓
68261CB	White	Reverse	12 VDC		✓
68261RB	Red	S/T/T	12 VDC		✓
68263AB	Amber	Rear turn	24 VDC		✓
68263CB	White	Reverse	24 VDC		✓
68263RB	Red	S/T/T	24 VDC		✓

\*White Flange also available contact Dialight



On when  
it counts.



### Application

- Front Turn

### Certifications & ratings

- FMVSS 108

### Features & Benefits

- Integral wiring
- Potted designs
- Grommet or flange mount
- Reverse polarity protected
- Maintenance saving

### Mechanical Information

**Mounting Hole Size** See mounting hole pattern on page 2

**Mounting Torque** 12 – 14 in-lbs. (flange mount)

### Electrical Specification

**Nominal Voltage** 12 VDC and 24 VDC

**Typical Current** Amber turn  
12 VDC – 420 mA @ 12.8 VDC  
24 VDC – 260 mA @ 25.6 VDC

### Construction

**Lens Material** Hard coated polycarbonate

**Sealing Method** Potted

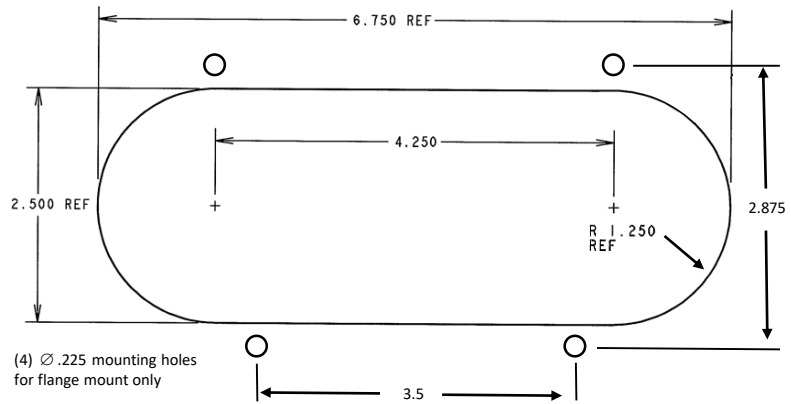
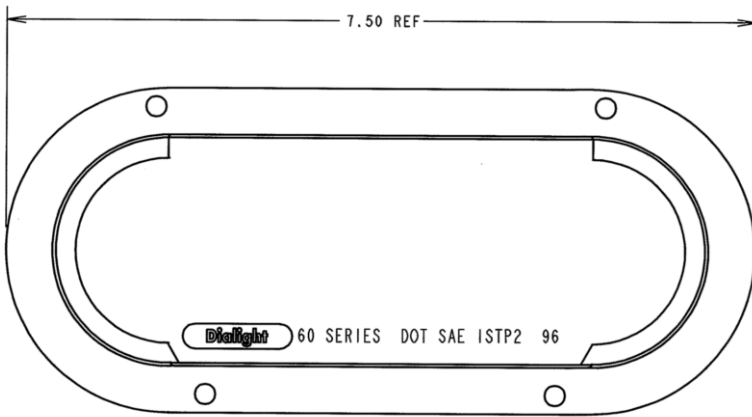
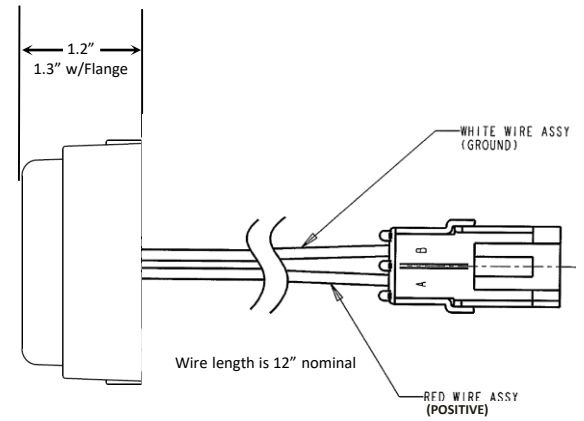
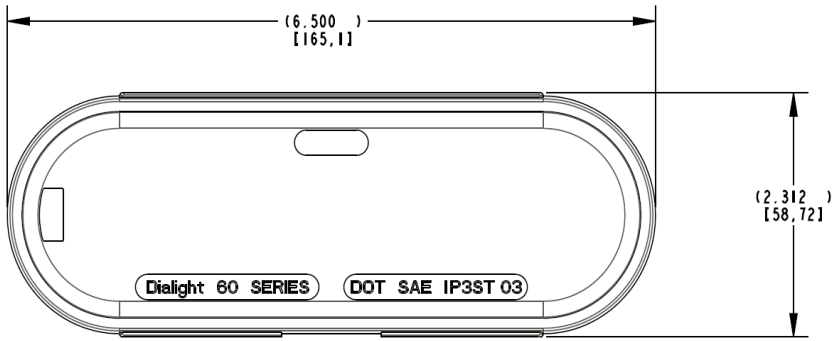
**Connector\*** Delphi 1201-0973 (2 wire)  
+ to position A – to position B

### Photometric

**FMVSS 108** Front Turn,

**Mounting** ± 5° Slope , Vertical or Horizontal

\* Consult Dialight for alternate connector options

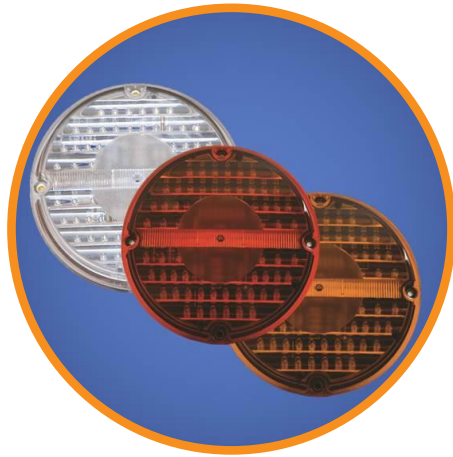


Part Number	Color	Function	Voltage	Mounting	
				Grommet	Black Flanged *
69121AB	Amber	Front turn	12 VDC	✓	
69123AB	Amber	Front turn	24 VDC	✓	
69261AB	Amber	Front turn	12 VDC		✓
69263AB	Amber	Front Turn	24 VDC		✓

\*White Flange also available contact Dialight



On when  
it counts.



### Application

- Rear Turn
- Reverse
- Stop / Tail / Turn

### Certifications & ratings

- FMVSS 108

### Features & Benefits

- Integral wiring
- Potted designs
- Surface mounted
- Integral reflector on Red S/T/T
- Reverse polarity protected
- Maintenance saving

### Mechanical Information

**Mounting Hole Size** See mounting hole pattern on page 2

**Mounting Torque** 12 – 14 in.-lbs.

### Electrical Specification

**Nominal Voltage** 12 VDC and 24 VDC

**Typical Current**

Amber turn
12 VDC – 520 mA @ 12.8 VDC
24 VDC – 280 mA @ 25 VDC
White reverse
12 VDC – 95 mA @ 12.8 VDC
24 VDC – 90 mA @ 25 VDC
Red S/T/T lights
12 VDC – tail 55 mA @ 12.8 VDC, S/T 350 mA @ 12.8 VDC
24 VDC – tail 45 mA @ 25 VDC S/T 200 mA @ 25 VDC

### Construction

**Lens Material** Hard coated polycarbonate

**Sealing Method** Potted

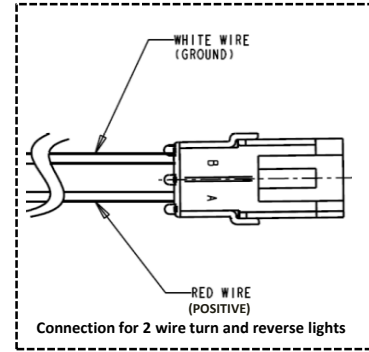
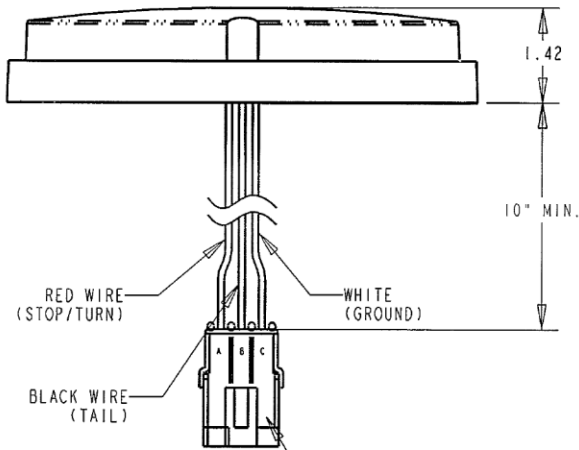
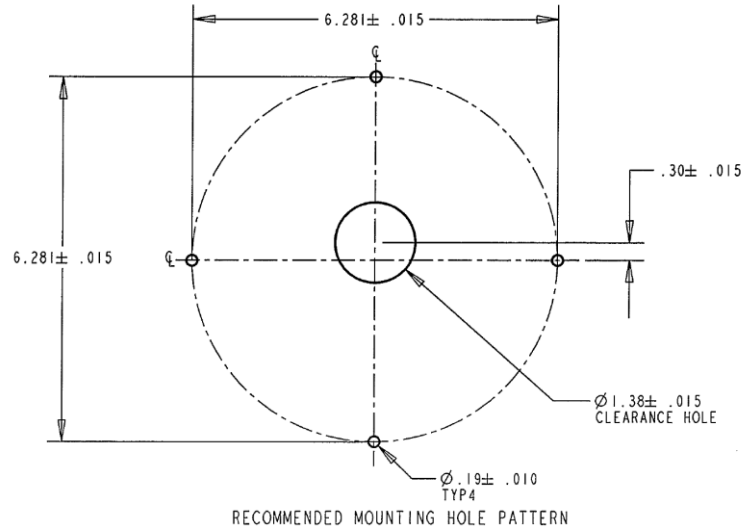
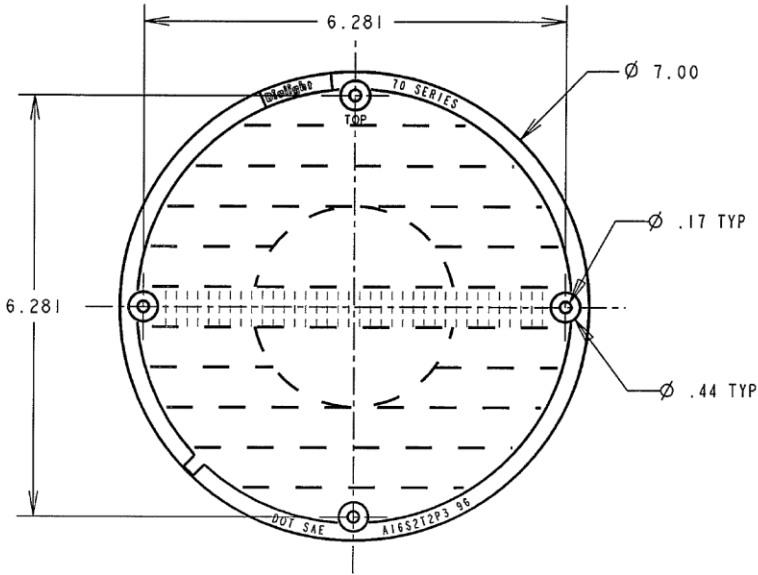
**Connector\*** Delphi 1201-0973 turn / reverse  
+ to position A – to position B  
Delphi 1201-0717 red S/T/T  
Stop / Turn – pos. A, Tail – pos. B  
ground – pos. C

### Photometric

**FMVSS 108** Rear Turn, Reverse, S/T/T (see table)

**Mounting** ± 5° Slope

\* Consult Dialight for alternate connector options

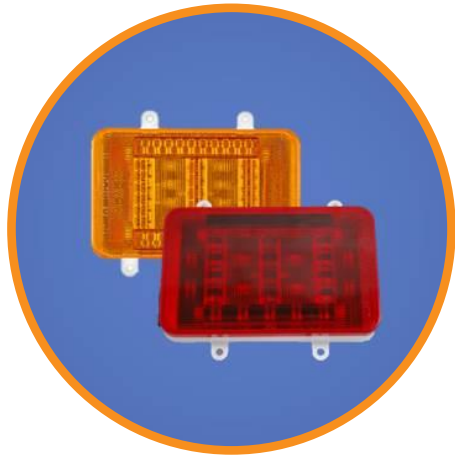


Part Number	Color	Function	Voltage
70131AB	Amber	Rear turn	12 VDC
70131RB	Red	S/T/T	12 VDC
70133AB	Amber	Rear turn	24 VDC
70133RB	Red	S/T/T	24 VDC
71121CB	White	Reverse	12 VDC
71123CB	White	Reverse	24 VDC





On when  
it counts.



### Application

- Rear Turn
- Stop / Tail / Turn

### Certifications & ratings

- FMVSS 108

### Features & Benefits

- Integral wiring
- Reverse polarity protected
- Maintenance saving
- Retrofit for older MCI coaches and RTS buses

### Mechanical Information

**Mounting Hole Size** See hole pattern on page 2

**Mounting Torque** 12 – 14 in-lbs.

### Electrical Specification

**Nominal Voltage** 12 VDC and 24 VDC

**Typical Current** Amber turn  
 12 VDC – 330 mA @ 12.8 VDC  
 24 VDC – 210 mA @ 24 VDC  
 Red S/T/T lights  
 12 VDC – tail 90 mA @ 12.8 VDC,  
 S/T 460 mA @ 12.8 VDC  
 24 VDC – tail 40 mA @ 24 VDC  
 S/T 250 mA @ 24 VDC

### Construction

**Lens Material** Hard coated polycarbonate

**Housing Material** Polycarbonate

**Sealing Method** Vibration welded

**Connector\*** Delphi 1201-0973 turn / reverse  
 + to position A – to position B  
 Delphi 1201-0717 red S/T/T  
 Stop / Turn – pos. A, Tail – pos. B  
 ground – pos. C

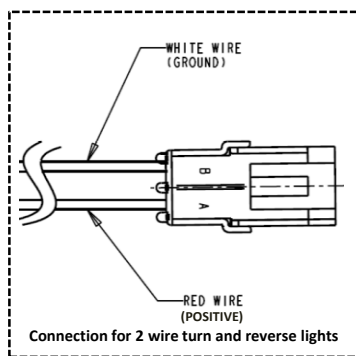
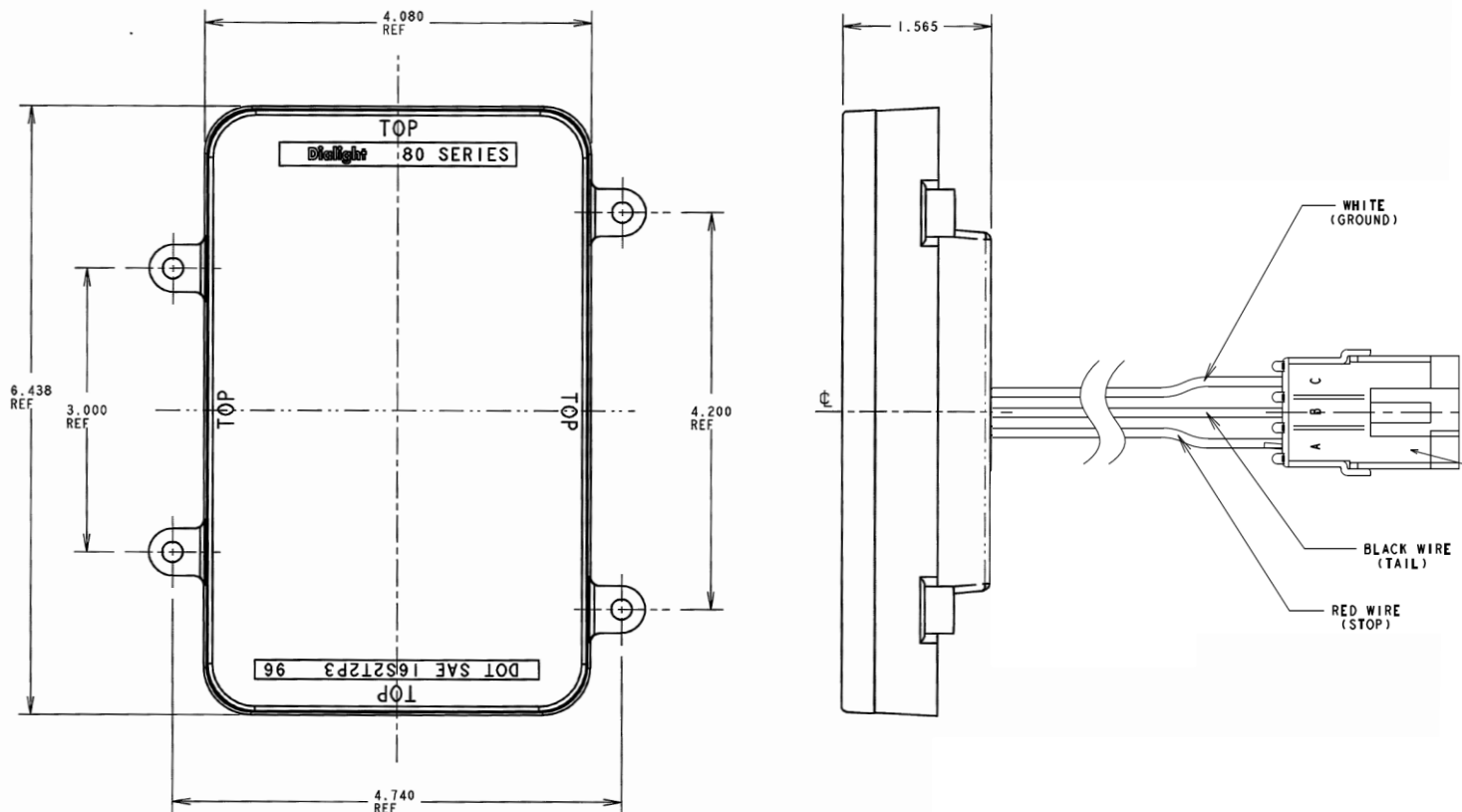
### Photometric

**FMVSS 108** Rear Turn, S/T/T (see table)

**Mounting** ± 5° Slope

\* Consult Dialight for alternate connector options

# Dialight



Part Number	Color	Function	Voltage
80131AB	Amber	Rear turn	12 VDC
80131RB	Red	S/T/T	12 VDC
80133AB	Amber	Rear turn	24 VDC
80133RB	Red	S/T/T	24 VDC



On when  
it counts.



### Application

- Rear Turn
- Reverse
- Stop / Tail / Turn

### Certifications & ratings

- FMVSS 108

### Features & Benefits

- Integral wiring
- Potted designs
- Reverse polarity protected
- Maintenance saving

### Mechanical Information

**Mounting Hole Size** See pattern on page 2

**Mounting Torque** 12 – 14 in-lbs.

### Electrical Specification

**Nominal Voltage** 12 VDC and 24 VDC

**Typical Current** Amber turn  
12 VDC – 400 mA @ 12.8 VDC  
24 VDC – 300 mA @ 25 VDC

White reverse

12 VDC – 170 mA @ 12.8 VDC  
24 VDC – 85 mA @ 25 VDC

Red S/T/T lights

12 VDC – tail 35 mA @ 12.8 VDC,  
S/T 330 mA @ 12.8 VDC  
24 VDC – tail 25 mA @ 25 VDC  
S/T 200 mA @ 25 VDC

### Construction

**Lens Material** Hard coated polycarbonate

**Sealing Method** Potted

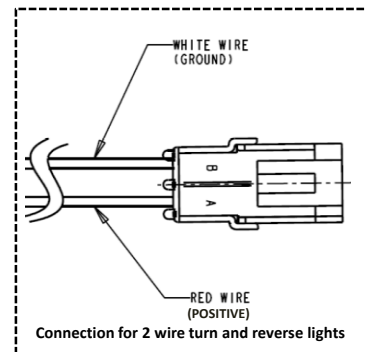
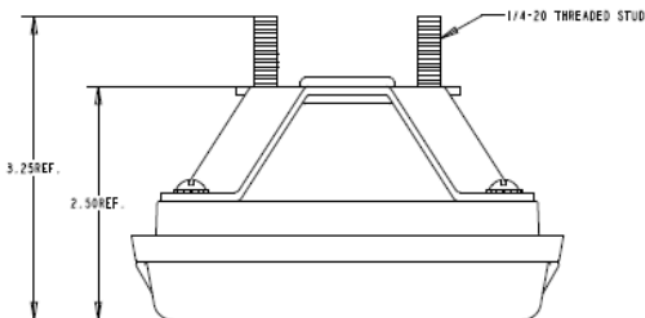
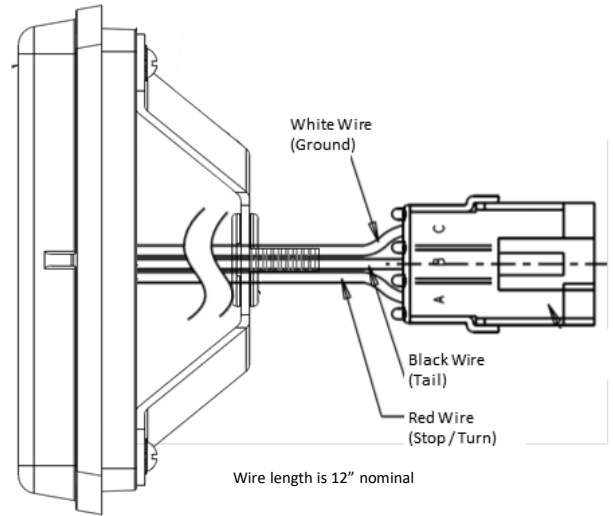
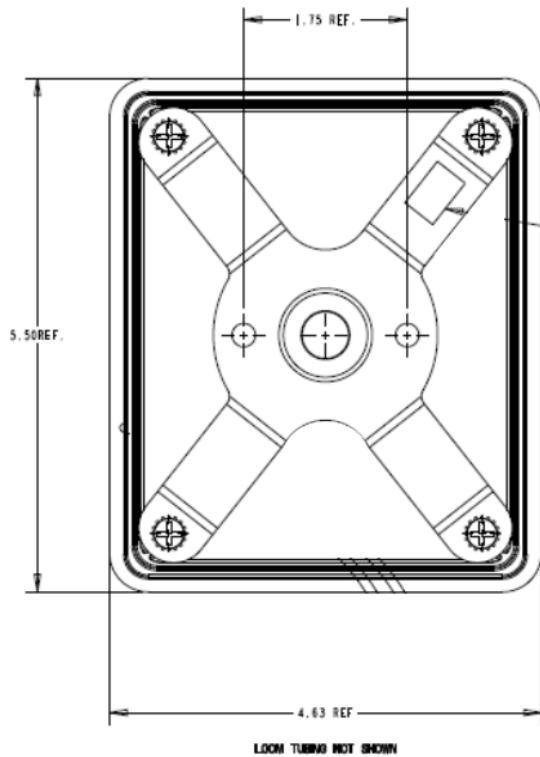
**Mounting Bracket Connector\*** Aluminum w/ 2 press fit studs  
Delphi 1201-0973 turn / reverse  
+ to position A – to position B  
Delphi 1201-0717 red S/T/T  
Stop / Turn – pos. A, Tail – pos. B  
ground – pos. C

### Photometric

**FMVSS 108** Rear Turn, Reverse, S/T/T (see table)

**Mounting** ± 5° Slope , Vertical or Horizontal

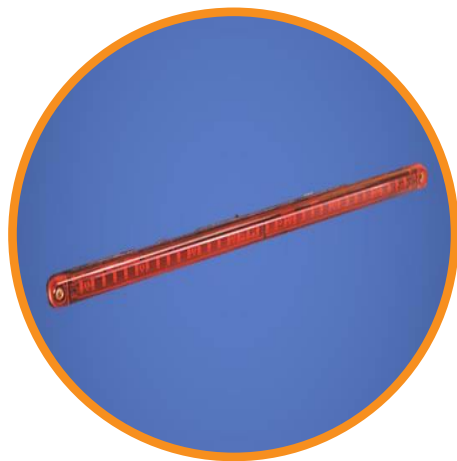
\* Consult Dialight for alternate connector options



Part Number	Color	Function	Voltage
84121AB	Amber	Rear turn	12 VDC
84121CB	White	Reverse	12 VDC
84121RB	Red	S/T/T	12 VDC
84123AB	Amber	Rear Turn	24 VDC
84123CB	White	Reverse	24 VDC
84123RB	Red	S/T/T	24 VDC



On when  
it counts.



### Application

- Center High Mount Stop Lamp (CHMSL)

### Certifications & ratings

- FMVSS 108

### Features & Benefits

- Integral wiring
- Metal mounting base
- Reverse polarity protected
- Maintenance saving

### Mechanical Information

**Mounting Hole Size** See pattern on page 2

**Mounting Torque** 12 – 14 in-lbs.

### Electrical Specification

**Nominal Voltage** 12 VDC and 24 VDC

**Typical Current** 12 VDC – 380 mA @ 12.8 VDC  
24 VDC – 240 mA @ 25.6 VDC

### Construction

**Lens Material** Hard coated polycarbonate

**Base Material** Anodized aluminum

**Gasket Material** Closed cell foam

**Sealing Method** Polyurethane seal to metal base

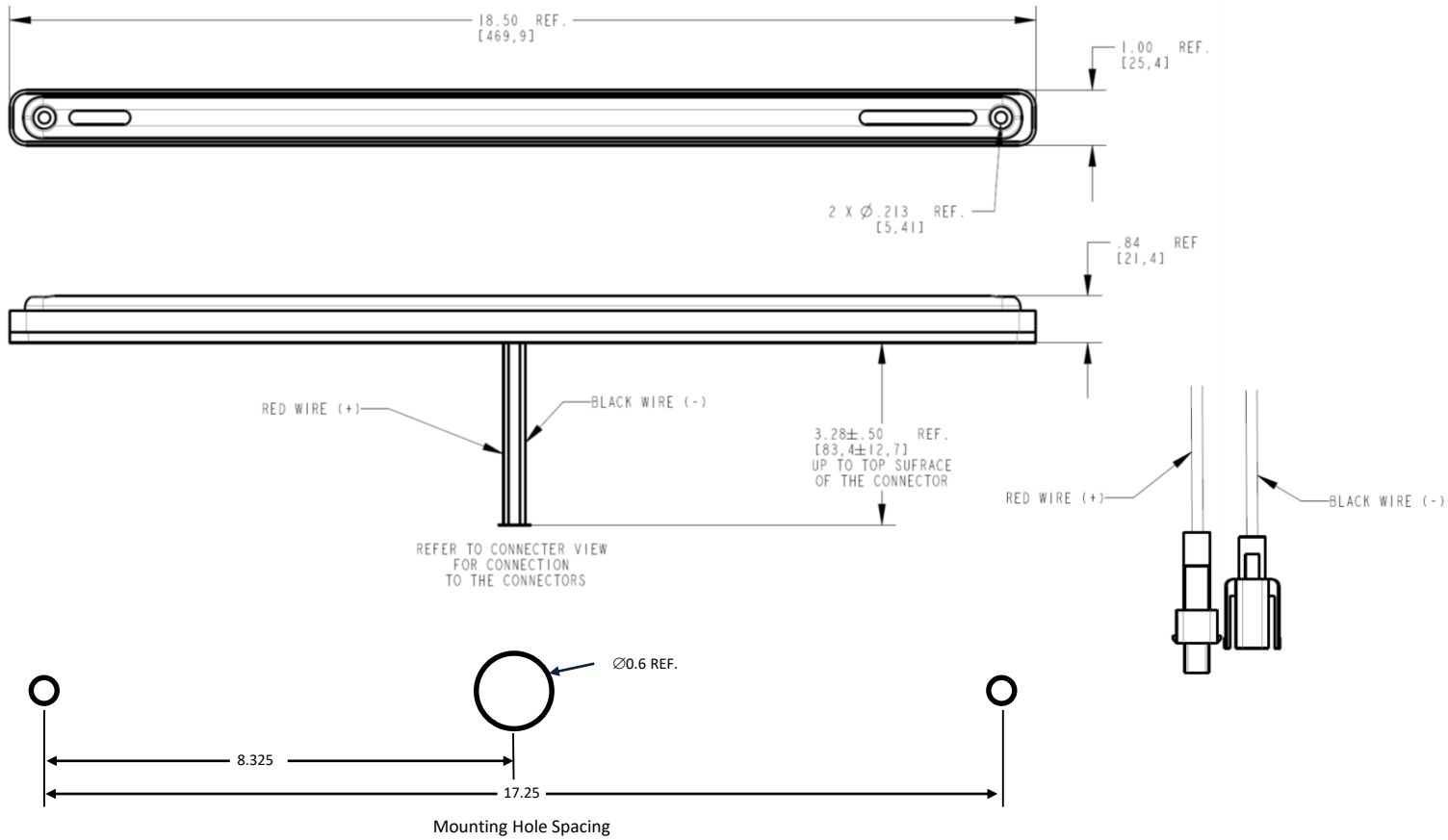
**Mounting Bracket Connector\*** Aluminum w/ 2 press fit studs  
EDAC 568-001-000-100 (plug) to red wire positive  
EDAC 568-001-000-200 (receptacle) to black wire ground

### Photometric

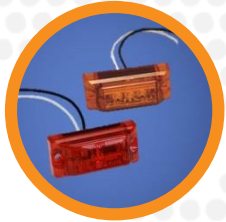
**FMVSS 108** Center high mount stop lamp

**Mounting**  $\pm 5^\circ$  Slope , Vertical or Horizontal

\* Consult Dialight for alternate connector options



Part Number	Color	Function	Voltage
87121RB	Red	CHMSL	12 VDC
87123RB	Red	CHMSL	24 VDC



#### 13 Series

- 2.5" x 1.0"
- 2.125" Screw mounting centers
- 12 VDC and 24 VDC
- Red, Amber



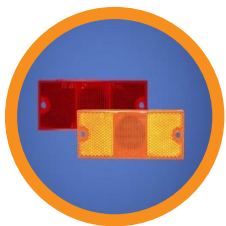
#### 16 Series

- 2" Round
- Grommet mount
- Grommet – 91601A
- 12 VDC and 24 VDC
- Red, Amber



#### 18 Series

- 4.8" x 1.95"
- 4 Mounting screws 1.19 "x 3.875" pattern
- 12 VDC and 24 VDC
- Red, Amber



#### 45 Series

- 4.5" x 1.625",
- 4" Screw mounting centers
- 12 VDC and 24 VDC
- Red, Amber



#### 15 Series

- 4.0" x 0.88"
- 3" Screw mounting centers
- 12 VDC and 24 VDC
- Red, Amber



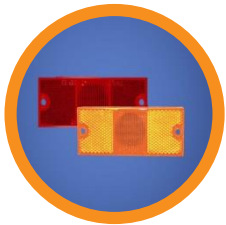
#### 17 Series

- 2.5" Round
- 2.5" Grommet or flange mount
- Grommet 91701A
- 12 VDC and 24 VDC
- Red, Amber



#### 20 Series

- 4.55" x 2.23"
- 3.625" Screw mounting centers
- 12 VDC and 24 VDC
- Amber



#### 45 Series (high angle version)

- 4.5" x 1.625",
- 4" Screw mounting centers
- Vertical and Horizontal mounting from same unit
- Horizontal mount up to 55° rollback
- 12 VDC and 24 VDC
- Red, Amber

Consult Dialight about connector options

### LED Marker Light Mounting Recommendations (when no guard is used)

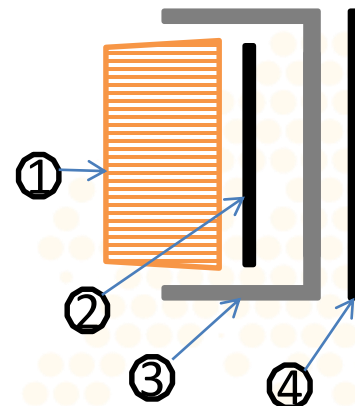
- Mounting plane for the light must be flat and not rounded
- If not provided with the light, select appropriate attachment screw such that the screw threads clear the through holes in the light
- If the light has a recessed area for the screw head, ensure the screw head has clearance between the side walls of the recess and the screw head
- For lights with gaskets position the gasket behind the light to compensate for minor surface irregularities and to seal the light to vehicle interface.
- Tighten screws to a torque of 12 to 14 in-lbs.
- Caution: Loctite is not recommended for use when installing the lights as Loctite contains chemical ingredients that are not compatible with polycarbonate materials
- Caution: Do not over-torque the screws when installing. Over-torquing of the screws may add stress to the light that could make the light susceptible to failure from cleaning soaps that would attack the light at the stressed area resulting in potential cracking of the light.

### LED Marker Light Mounting Recommendations (when used with optional guard)

Note: the use of an additional foam gasket and guard are optional but when the guard is used it must be used in conjunction with the foam gasket supplies with the light

- Mounting plane for the light must be flat and not rounded
- If not provided with the light, select appropriate attachment screw such that the screw threads clear the through holes in the light
- If the light has a recessed area for the screw head, ensure the screw head has clearance between the side walls of the recess and the screw head
- Position light (1) and gasket (2) into the guard (3)
- Place gasket that additional gasket (4) between the back of the guard and the bus
- Mount the marker light with guard / gaskets to the bus positioning a nylon washer underneath the screw head so that the screw head does not dig into the polycarbonate lens.
- Mounting torque should be limited to 12 -14 in-lbs.
- Caution: Loctite is not recommended for use when installing the lights as Loctite contains chemical ingredients that are not compatible with polycarbonate materials
- Caution: Do not over-torque the screws when installing. Over-torquing of the screws may add stress to the light that could make the light susceptible to failure from cleaning soaps that would attack the light at the stressed area resulting in potential cracking of the light.

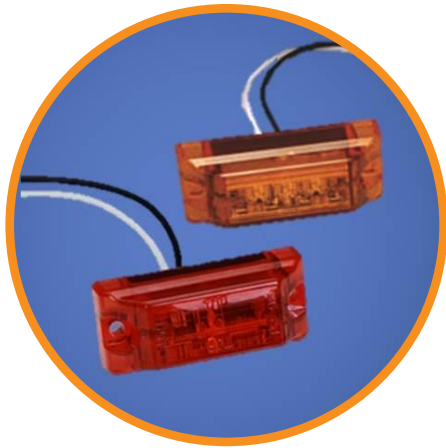
Item	Description
1	Marker Light
2	Foam Gasket
3	Light Guard
4	Additional Foam Gasket







On when  
it counts.



### Application

- LED Marker Light
- LED Clearance Light

### Certifications & Ratings

- FMVSS 108

### Features & Benefits

- Integral wiring
- Small footprint
- Reverse polarity protected
- Maintenance saving

### Mechanical Information

**Mounting Hole Size** 0.5 in (12.7 mm)

**Mounting Torque** 12 – 14 in-lbs.

### Electrical Specification

**Nominal Voltage** 12 VDC and 24 VDC

**Typical Current** Amber

12 VDC – 30 mA @ 12.8 VDC

24 VDC – 30 mA @ 25.6 VDC

Red

12 VDC – 20 mA @ 12.8 VDC

24 VDC – 20 mA @ 25.6 VDC

### Construction

**Lens Material** Polycarbonate

**Sealing** Potted design

**Gasket Material** Closed cell foam

**Connector\*** .180 bullet terminals

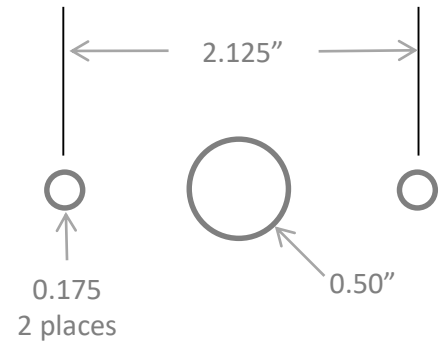
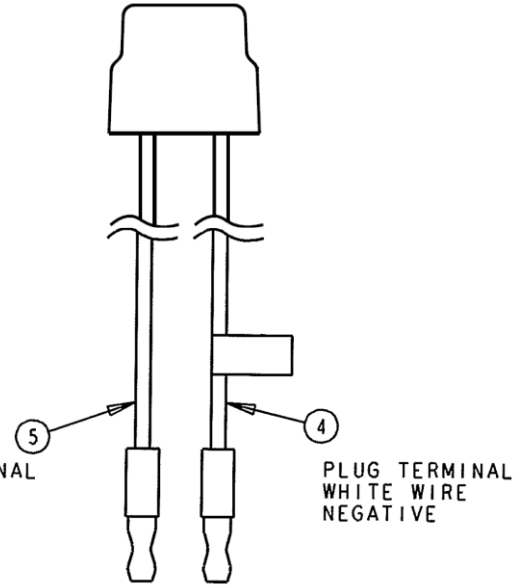
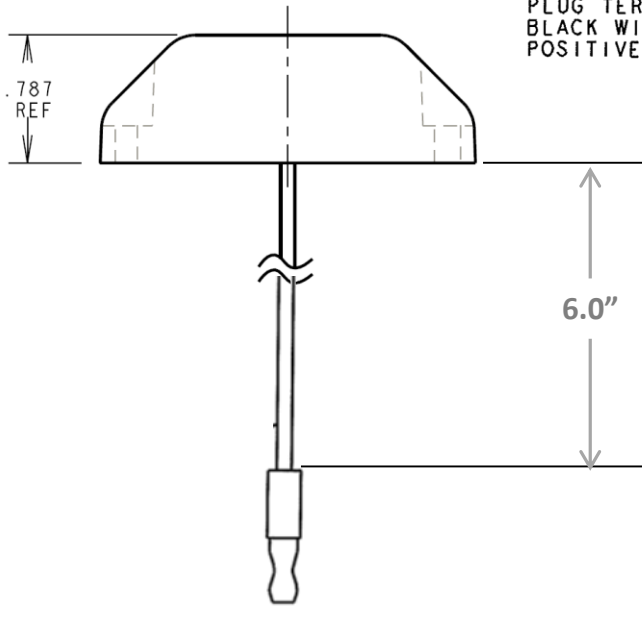
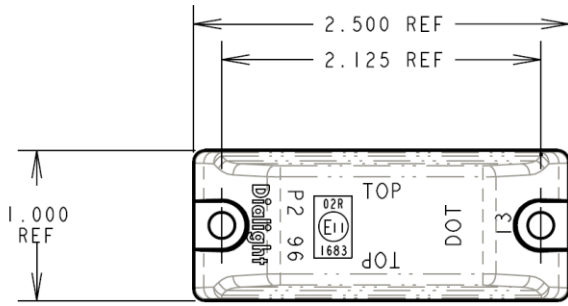
White wire +, Black wire –

### Photometric

**FMVSS 108** Clearance / Marker Light

**Mounting Limits** Horizontal mount  
± 5° slope

\* Consult Dialight for alternate connector options



Part Number	Color	Voltage
13001AB	Amber	12 VDC
13001RB	Red	12 VDC
13003AB	Amber	24 VDC
13003RB	Red	24 VDC



On when  
it counts.



### Application

- LED Marker Light
- LED Clearance Light

### Certifications & Ratings

- FMVSS 108

### Features & Benefits

- Integral wiring
- Surface mount
- Reverse polarity protected
- Maintenance saving
- Aluminum guard available

### Mechanical Information

<b>Mounting Hole Size</b>	0.5 in (12.7 mm) two 0.22 holes, 3" on centers
<b>Mounting Torque</b>	12 – 14 in-lbs.

### Electrical Specification

<b>Nominal Voltage</b>	12 VDC and 24 VDC
<b>Typical Current</b>	12 VDC Amber 40 mA @ 13.5 VDC Red 20 mA @ 13.5 VDC 24 VDC Amber 20 mA @ 24 VDC Red 20 mA @ 24 VDC

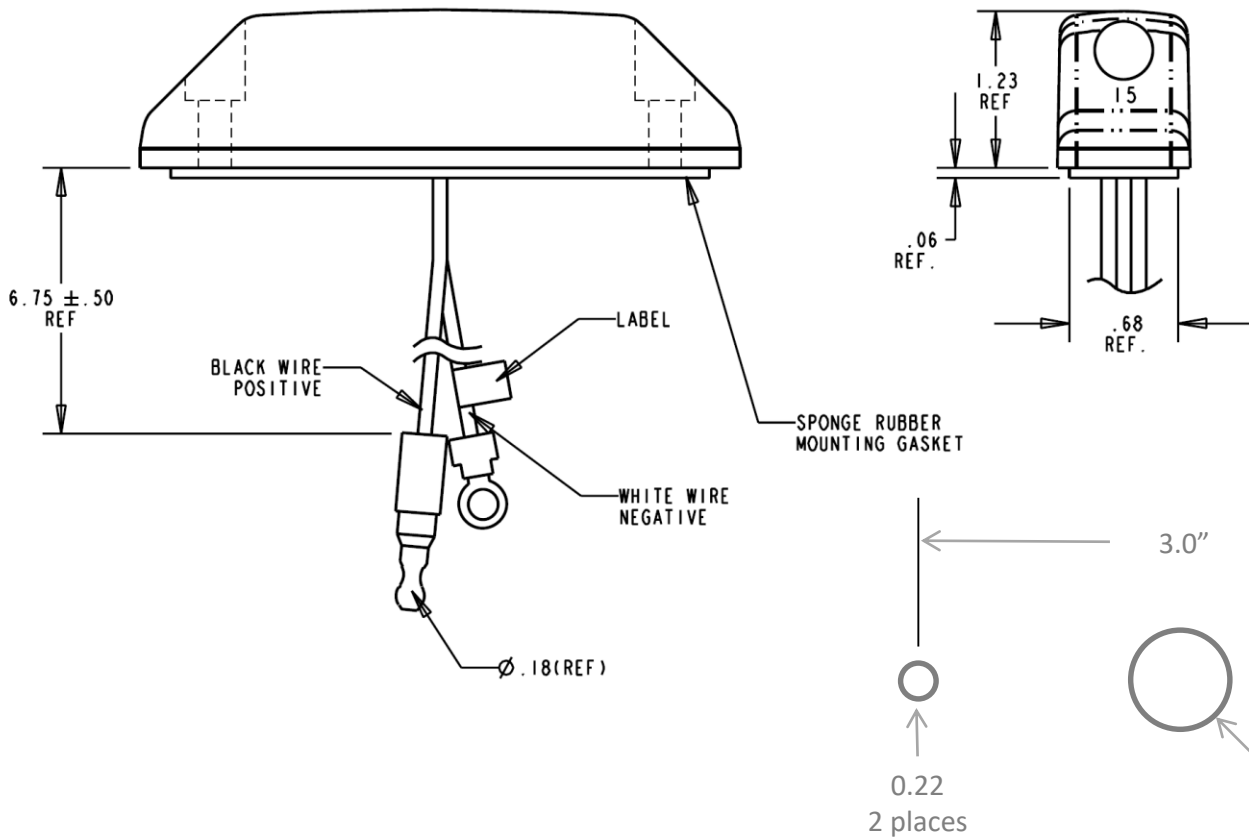
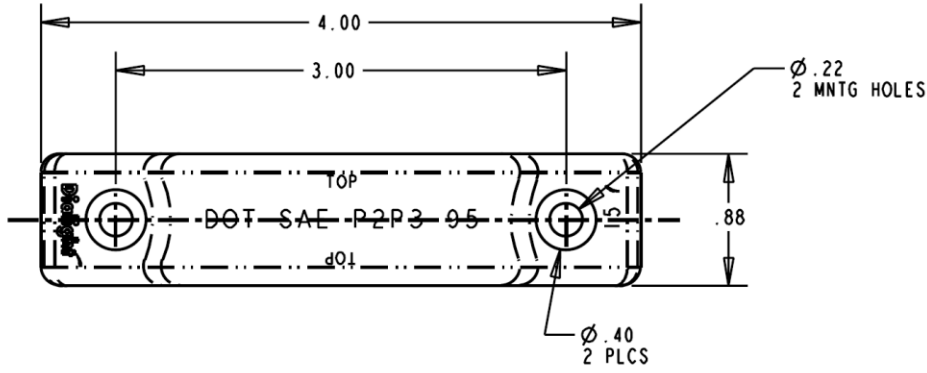
### Construction

<b>Lens Material</b>	Polycarbonate
<b>Sealing</b>	Potted design
<b>Gasket Material</b>	Closed cell foam
<b>Connector*</b>	.180 bullet terminal (positive) #10 Ring terminal (negative)

### Photometric

<b>FMVSS 108</b>	Clearance / Marker Light
<b>Mounting Limits</b>	Horizontal mount Amber $\pm 10^\circ$ slope Red $\pm 20^\circ$ slope

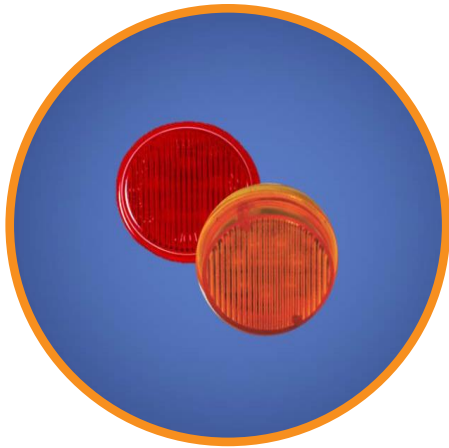
\* Consult Dialight for alternate connector options



Part Number	Color	Voltage
15001AB	Amber	12 VDC
15001RB	Red	12 VDC
15003AB	Amber	24 VDC
15003RB	Red	24 VDC



On when  
it counts.



### Application

- LED Marker Light
- LED Clearance Light

### Certifications & Ratings

- FMVSS 108

### Features & Benefits

- Integral wiring
- Grommet mount
- Reverse polarity protected
- Maintenance saving

### Mechanical Information

**Mounting Hole Size** 2 5/16" for use with grommet

### Electrical Specification

**Nominal Voltage** 12 VDC and 24 VDC  
**Typical Current** 12 VDC  
 Amber 20 mA @ 12.8 VDC  
 Red 20 mA @ 12.8 VDC  
 24 VDC  
 Amber 20 mA @ 25.6 VDC  
 Red 20 mA @ 25.6 VDC

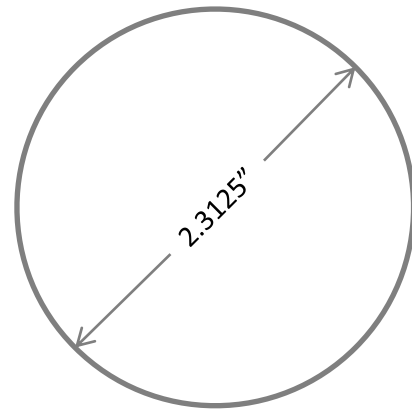
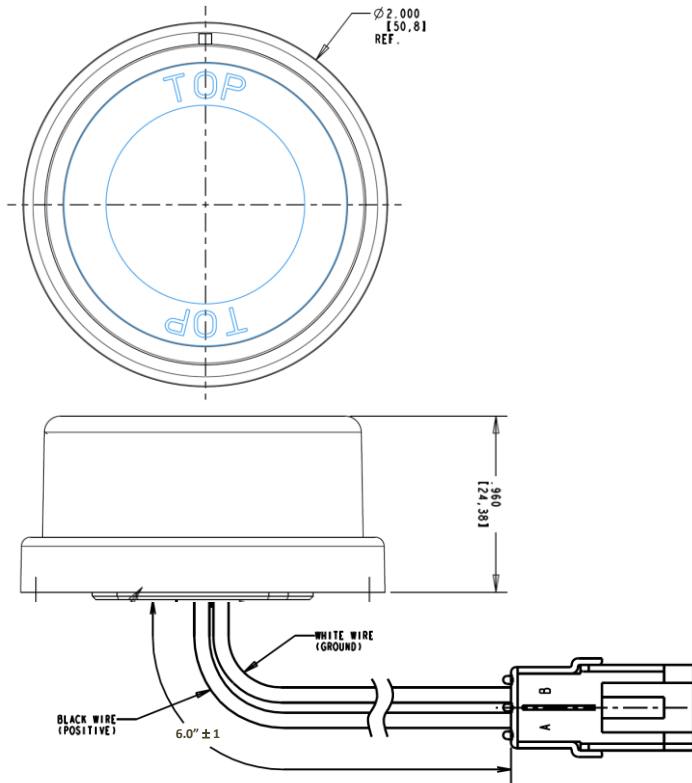
### Construction

**Lens Material** Polycarbonate  
**Housing material** Polycarbonate  
**Sealing Method** Vibration welded  
**Connector\*** Delphi 1201-0973  
 + to position A – to position B

### Photometric

**FMVSS 108** Clearance / Marker Light  
**Mounting Limits** Amber  $\pm 10^\circ$  slope  
 Red  $\pm 20^\circ$  slope

\* Consult Dialight for alternate connector options



Suggested mounting hole – Grommet mount

Part Number	Color	Voltage
16001AB	Amber	12 VDC
16001RB	Red	12 VDC
16003AB	Amber	24 VDC
16003RB	Red	24 VDC



On when  
it counts.



### Application

- LED Marker Light
- LED Clearance Light

### Features & Benefits

- Integral wiring
- Grommet mount
- Flange Mount option
- Closed cell foam gasket option for flange mount
- Reverse polarity protected
- Maintenance saving

### Mechanical Information

**Mounting Hole Size** 2 3/4” for use with grommet or flange mount

### Electrical Specification

**Nominal Voltage** 12 VDC and 24 VDC  
**Typical Current** 12 VDC  
 Amber 20 mA @ 12.8 VDC  
 Red 20 mA @ 12.8 VDC

24 VDC  
 Amber 20 mA @ 25.6 VDC  
 Red 20 mA @ 25.6 VDC

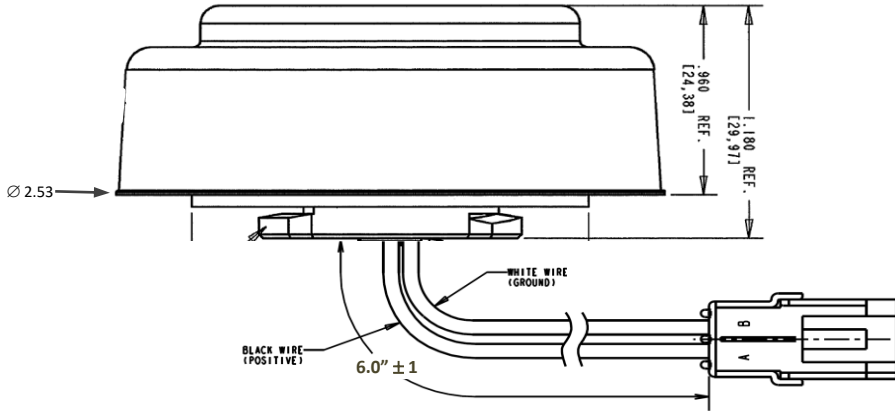
### Construction

**Lens Material** Polycarbonate  
**Housing material** Polycarbonate  
**Sealing Method** Vibration welded  
**Connector\*** Delphi 1201-0973  
 + to position A – to position B

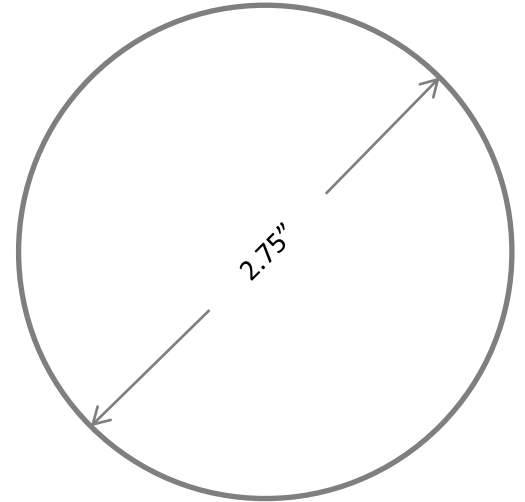
### Photometric

**FMVSS 108** Clearance / Marker Light  
**Mounting Limits** Amber  $\pm 10^\circ$  slope  
 Red  $\pm 20^\circ$  slope

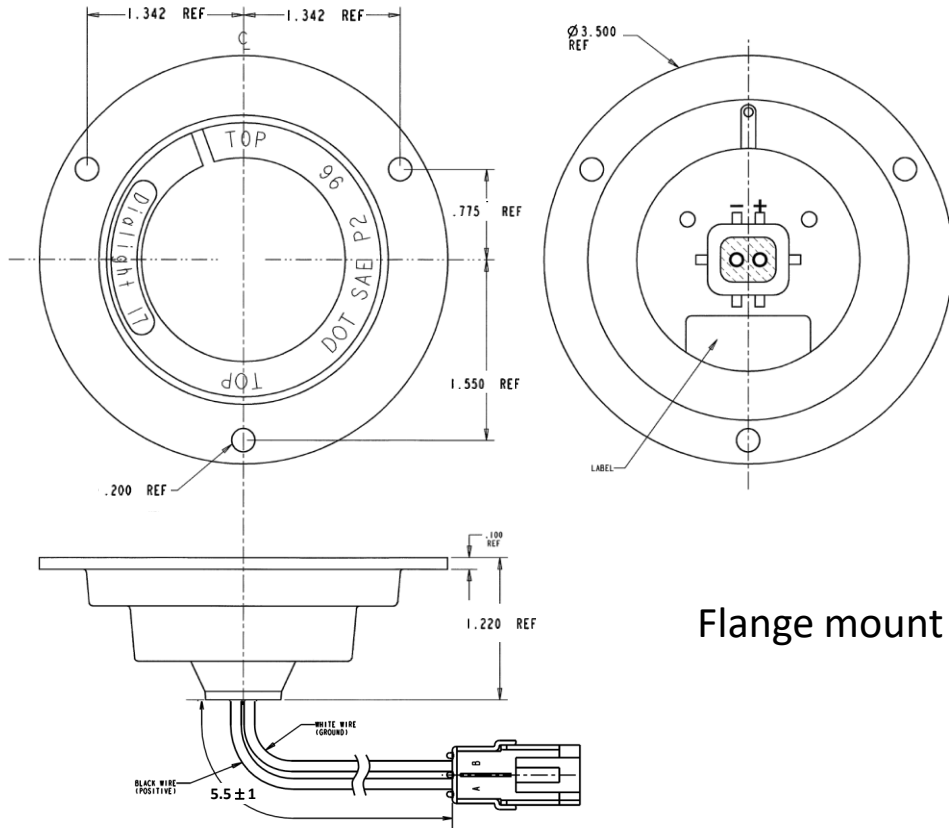
\* Consult Dialight for alternate connector options



Grommet mount



Suggested mounting hole



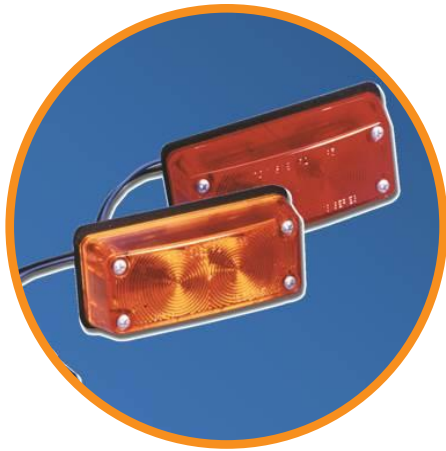
Flange mount

Part Number	Color	Voltage	Mounting	
			Grommet	Black Flanged
17001AB	Amber	12 VDC	✓	
17001RB	Red	12 VDC	✓	
17003AB	Amber	24 VDC	✓	
17003RB	Red	24 VDC	✓	
17081AB	Amber	12 VDC		✓
17081RB	Red	12 VDC		✓
17083AB	Amber	24 VDC		✓
17083RB	Red	24 VDC		✓





On when  
it counts.



### Application

- LED Marker Light
- LED Clearance Light

### Certifications & Ratings

- FMVSS 108

### Features & Benefits

- Integral wiring
- Low profile
- Flexible mounting
- Reverse polarity protected
- Maintenance saving
- Lamp guards available

### Mechanical Information

**Mounting Hole Size** 1.84" (46.7 mm)

**Mounting Torque** 12 – 14 in-lbs.

### Electrical Specification

**Nominal Voltage** 12 VDC and 24 VDC

**Typical Current** 12 VDC – 40 mA @ 12 VDC  
24 VDC – 20 mA @ 24 VDC

### Construction

**Lens Material** Polycarbonate

**Housing material** Polycarbonate

**Sealing Method** Vibration Welded

**Gasket Material** Closed cell foam

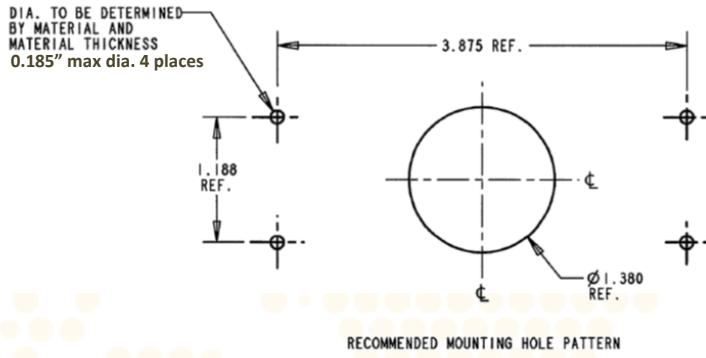
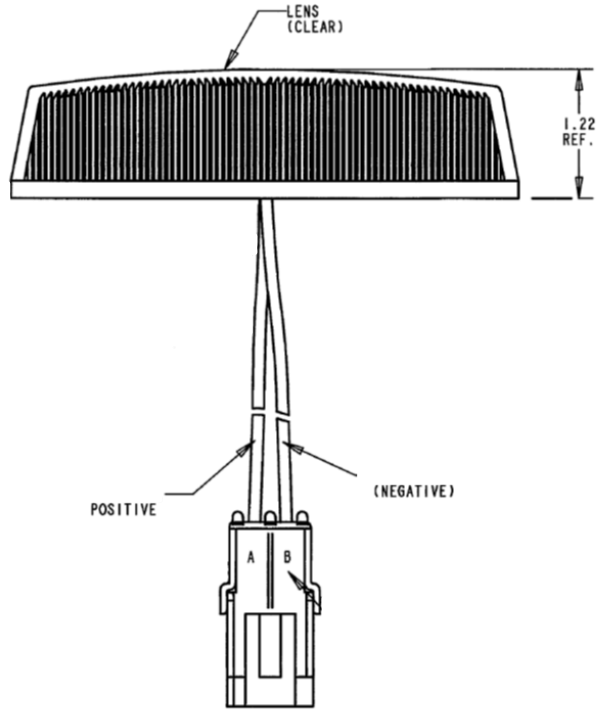
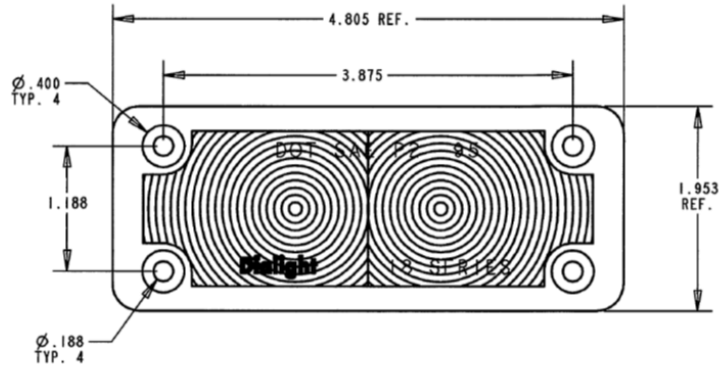
**Connector\*** Delphi 1201-0973  
+ to position A – to position B

### Photometric

**FMVSS 108** Clearance / Marker Light

**Mounting Limits** Horizontal or vertical  
up to  $\pm 30^\circ$  slope

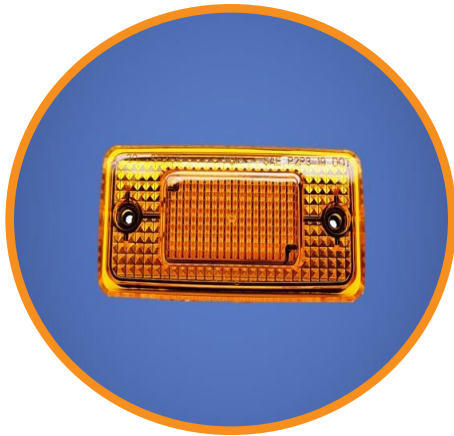
\* Consult Dialight for alternate connector options



Part Number	Color	Voltage
18001AB	Amber	12 VDC
18001RB	Red	12 VDC
18011AB	Amber	24 VDC
18011RB	Red	24 VDC



On when  
it counts.



### Application

- LED Marker Light
- LED Clearance Light

### Certifications & Ratings

- FMVSS 108

### Features & Benefits

- Universal 12/24 VDC operation
- Single piece lens potted design
- Integral wiring
- Low profile recessed mount
- Reverse polarity protected
- Maintenance saving

### Mechanical Information

<b>Mounting Hole Size</b>	See template on pg. 2
<b>Mounting Torque</b>	12 – 14 in-lbs.

### Electrical Specification

<b>Nominal Voltage</b>	10-30 VDC
<b>Typical Current</b>	12.8 VDC – 29 mA 25.6 VDC – 58 mA

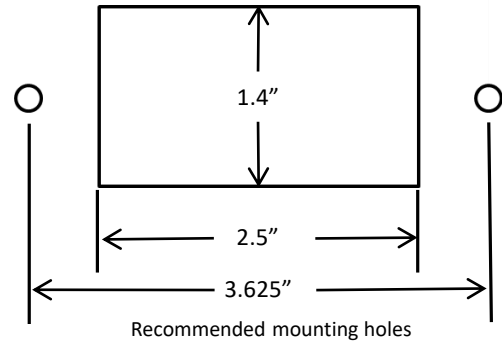
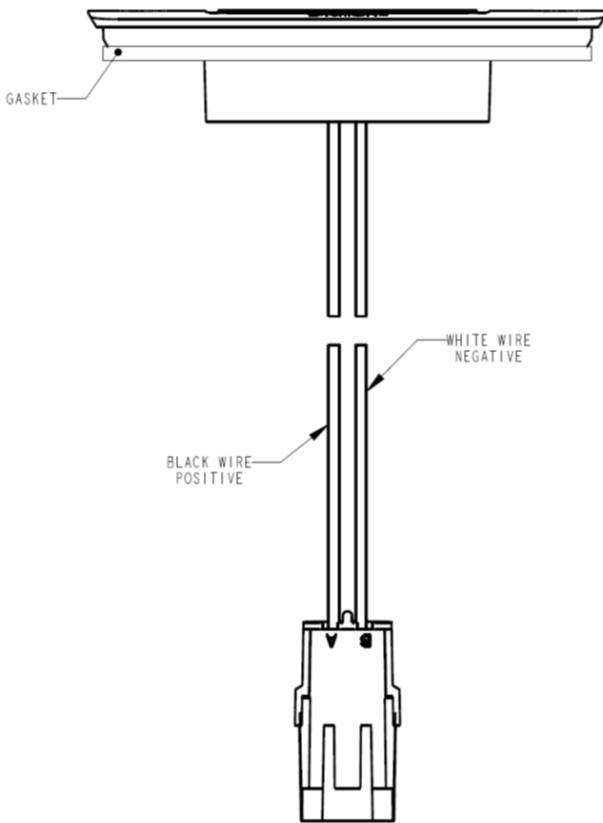
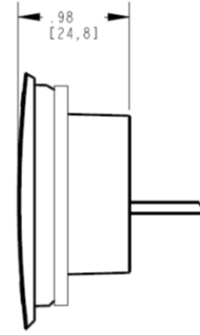
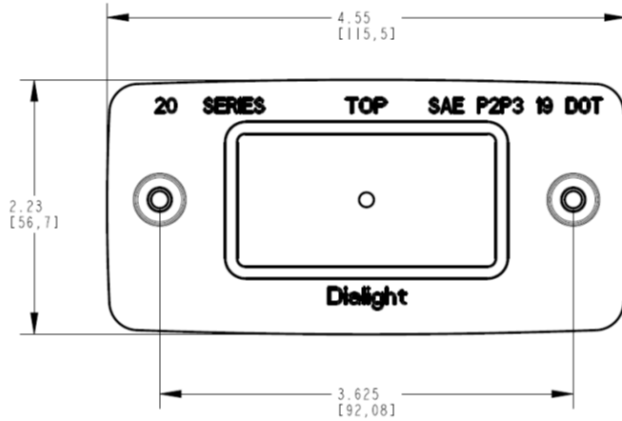
### Construction

<b>Lens Material</b>	Polycarbonate
<b>Sealing Method</b>	Potted Design
<b>Gasket Material</b>	Closed cell foam
<b>Connector*</b>	Delphi 1201-0973 + to position A – to position B

### Photometric

<b>FMVSS 108</b>	Clearance / Marker Light
<b>Mounting Limits</b>	Horizontal mount TOP marking on Lens 0° to 40° rollback

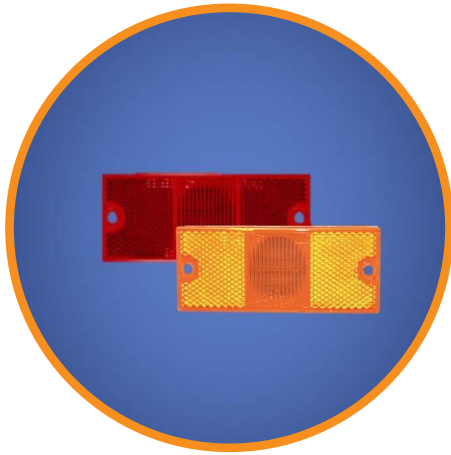
\* Consult Dialight for alternate connector options



Part Number	Color	Voltage
20004AB	Amber	10 - 30 VDC



On when  
it counts.



### Application

- LED Marker Light
- LED Clearance Light

### Certifications & Ratings

- FMVSS 108

### Features & Benefits

- Integral wiring
- Low profile
- Integral reflector
- Reverse polarity protected
- Maintenance saving

### Mechanical Information

**Mounting Hole Size** 1.84" (46.7 mm)

**Mounting Torque** 12 – 14 in-lbs.

### Electrical Specification

**Nominal Voltage** 12 VDC and 24 VDC

**Typical Current** 12 VDC – 55 mA @ 13.5 VDC  
24 VDC – 30 mA @ 27 VDC

### Construction

**Lens Material** Hard coated polycarbonate

**Housing material** Polycarbonate

**Sealing Method** Vibration Welded

**Gasket Material** Closed cell foam

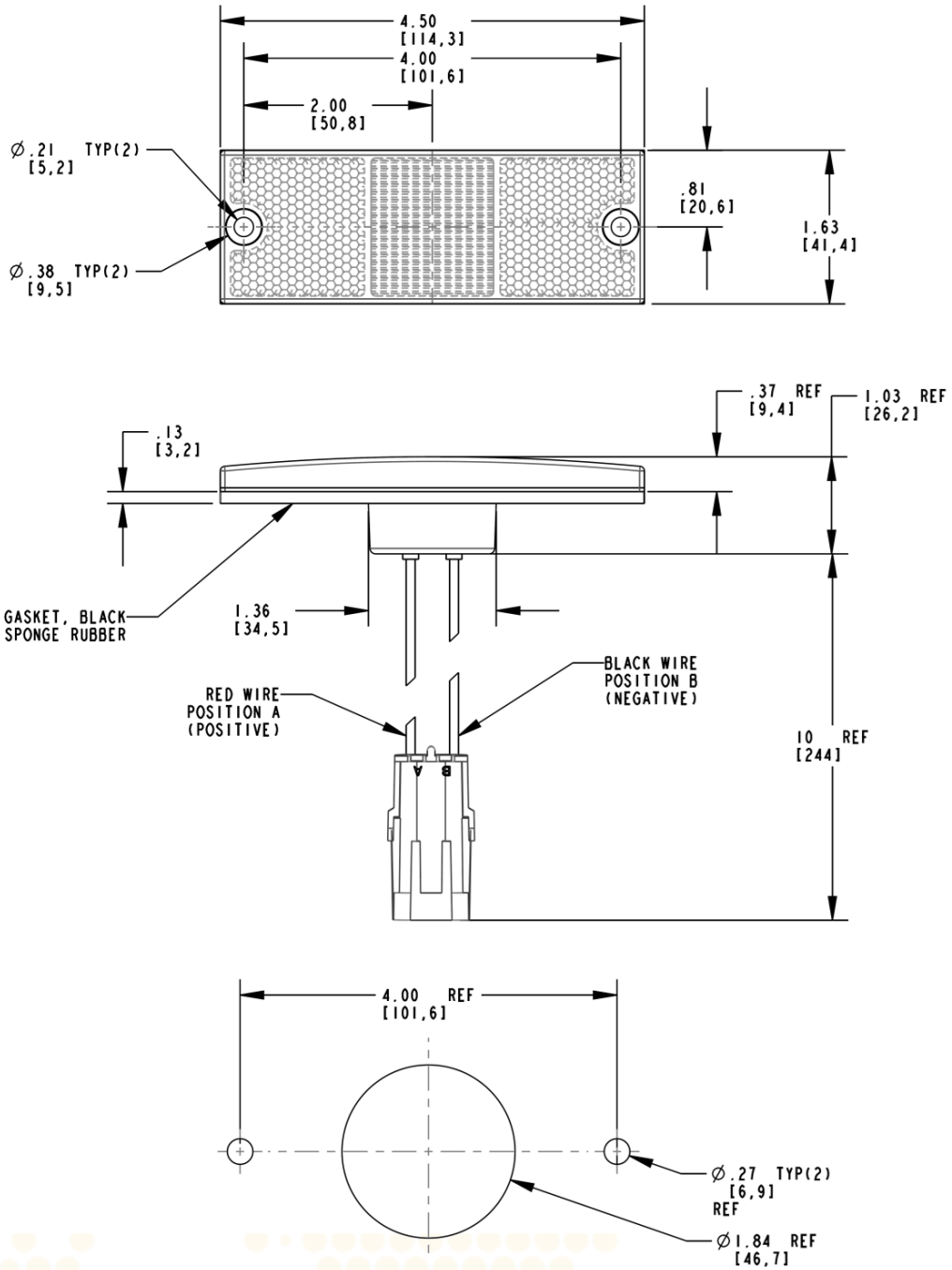
**Connector\*** Delphi 1201-0973  
+ to position A – to position B

### Photometric

**FMVSS 108** Clearance / Marker Light

**Mounting Limits** Horizontal mount  
Amber  $\pm 5^\circ$  slope  
Red  $\pm 10^\circ$  slope

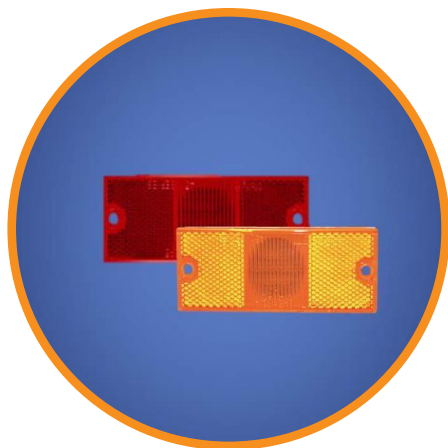
\* Consult Dialight for alternate connector options



Part Number	Color	Voltage
45001AB	Amber	12 VDC
45001RB	Red	12 VDC
45003AB	Amber	24 VDC
45003RB	Red	24 VDC



On when  
it counts.



### Application

- LED Marker Light
- LED Clearance Light

### Certifications & Ratings

- FMVSS 108

### Features & Benefits

- Integral wiring
- Low profile
- Integral reflector
- Horizontal or vertical mounting
- Reverse polarity protected
- Maintenance saving
- Convoluted loom covered wires

### Mechanical Information

<b>Mounting Hole Size</b>	0.68" (17.3 mm)
<b>Mounting Torque</b>	12 – 14 in-lbs.

### Electrical Specification

<b>Nominal Voltage</b>	12 VDC and 24 VDC
<b>Typical Current</b>	
Amber	12 VDC – 32 mA @ 12.8 VDC 24 VDC – 45 mA @ 25.6 VDC
Red	12 VDC – 55 mA @ 12.8 VDC 24 VDC – 50 mA @ 25.6 VDC

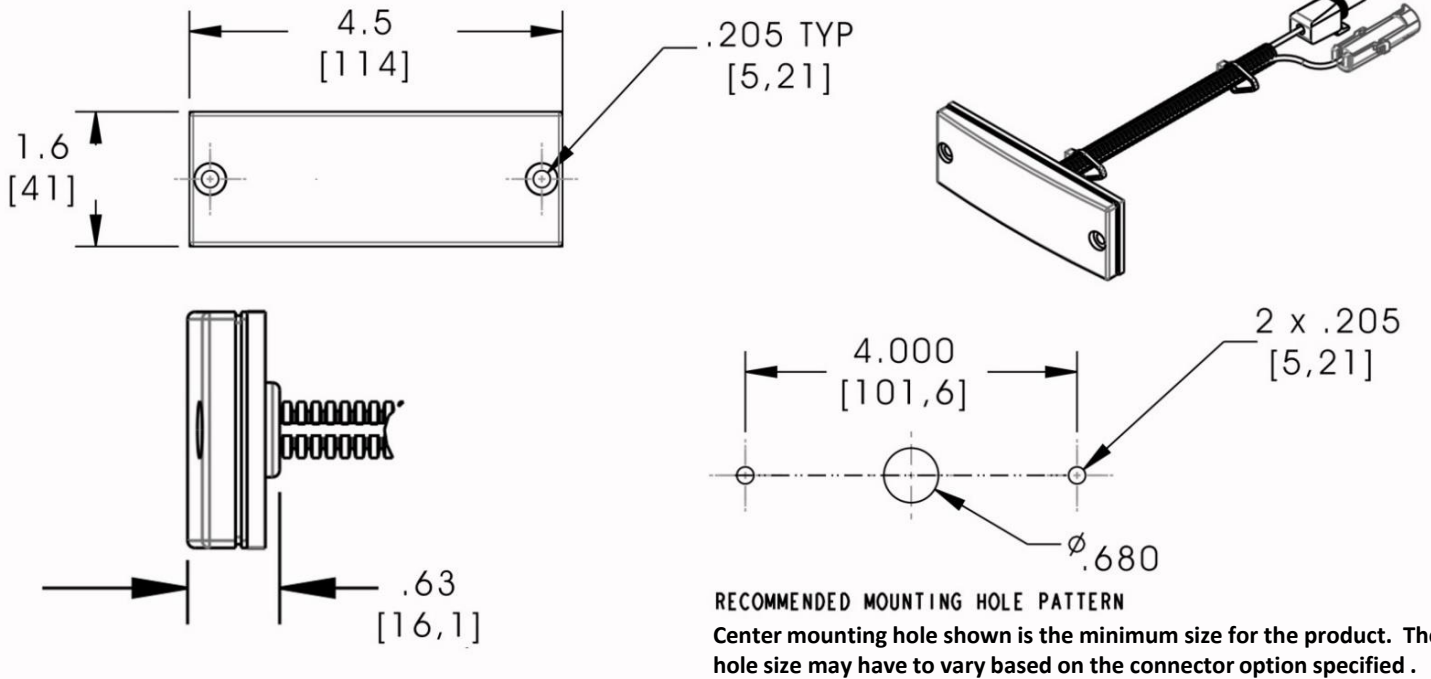
### Construction

<b>Lens Material</b>	Hard coated polycarbonate
<b>Housing material</b>	Polycarbonate
<b>Sealing Method</b>	Vibration Welded
<b>Gasket Material</b>	Closed cell foam
<b>Connector*</b>	Delphi 1201-5791 (positive) Delphi 1201-0966 (negative)

### Photometric

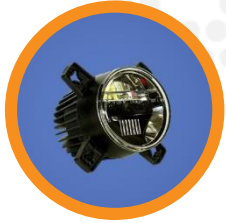
<b>FMVSS 108</b>	Clearance / Marker Light
<b>Mounting Limits</b>	Horizontal mount Up to 55° slope both colors Vertical Mount Amber ± 5° slope Red ± 10° slope

\* Consult Dialight for alternate connector options



Part Number	Color	Voltage
45381AB	Amber	12 VDC
45381RB	Red	12 VDC
45383AB	Amber	24 VDC
45383RB	Red	24 VDC





#### HLC 90 mm Low Beam

- FMVSS108 compliant
- Standard 90 mm format
- Includes alignment screws
- 12 / 24 VDC operation



#### HLC 4x6 Low Beam

- FMVSS108 compliant
- Standard 4" x 6" LB format
- 12 / 24 VDC operation



#### HLD 7" Dual Beam

- FMVSS108 compliant
- Dual Beam (LB/HB)
- Standard 7" format
- Lens heater option available
- 12 / 24 VDC operation



#### HLB 90 mm High Beam

- FMVSS108 compliant
- Standard 90 mm format
- Includes alignment screws
- 12 / 24 VDC operation



#### HLB 4x6 High Beam

- FMVSS108 compliant
- Standard 4" x 6" HB format
- 12 / 24 VDC operation

Consult Dialight about connector options

## LED Headlamp Installation

Install each headlamp either into the appropriate mounting bucket or in the case of the 90 mm headlamps using the alignment screw

Install LED headlamp onto vehicle observing the "TOP" note on lens to correctly orient headlamp.

Plug headlamp harness into harness from vehicle.

Re-attach headlamp mounting panel to vehicle.

Aim headlamps per the LED headlamp aiming instructions.

Re-attach front trim panel to vehicle.

Headlamp alignment:

Before alignment is started,

Check the tire inflation.

Check that no other load is in the vehicle other than a half tank of fuel.

Check that the headlamps are clean.

Check for correct headlamp operation.

Park the vehicle on a level surface approximately 7.6 meters (25 feet) from a vertical wall or screen directly in front of it.

The center of the lamp is denoted by a dot on the lens. Aiming should be performed in a dark environment to effectively see the headlamp beam pattern.

Measure the centers of the headlamps' heights to the ground and record. Mark a horizontal reference line on the vertical wall or screen at the same height as the centers of the headlamps (marked C in Fig1). The beam pattern should be adjusted for both left and right headlamps as shown in Figure 1.

Note that for VOR headlamps, the appearance of the beam pattern may vary between various manufacturers.

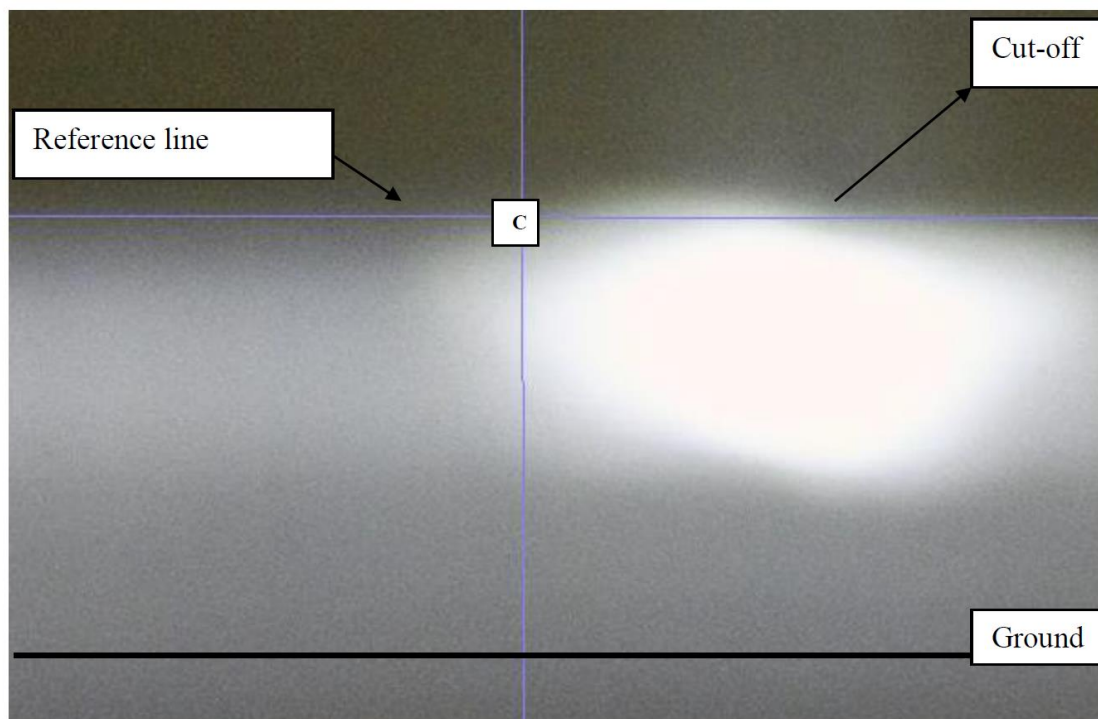


Figure 1 Dialight low beam pattern



On when  
it counts.



US Patent # 7,160,004 # 7,604,384 others pending

### Application

- Low Beam Headlight
- High Beam Headlight

### Certifications & Ratings

- FMVSS 108

### Features & Benefits

- Integral wiring
- Rugged die cast housing
- Alignment screws included
- Overvoltage / transient protected
- Loom covered wires
- Visual Alignment
- 7 & 12 Year Warranty Options

### Mechanical Information

**Mounting Hole Size** See mounting hole pattern on page 2

### Electrical Specification

**Nominal Voltage** 10 / 24 VDC Dual voltage operation

**Typical Current**

Low beam
12 VDC – 1.2 A
24 VDC – 0.58 A
High beam
12 VDC – 1.75 A
24 VDC – 0.88 A

### Construction

**Lens Material** Hard coated polycarbonate

**Housing** Anodized die cast aluminum

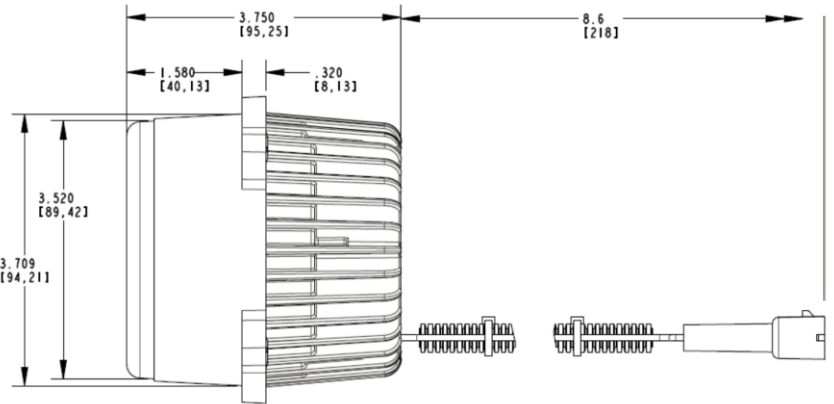
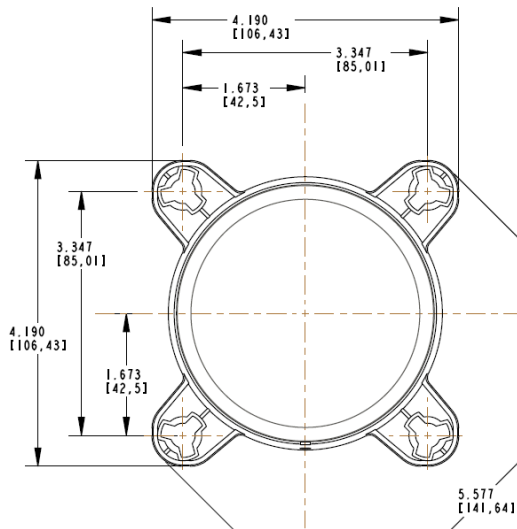
**Sealing Method** Polyurethane

**Connector\*** H9 and H11 connector options

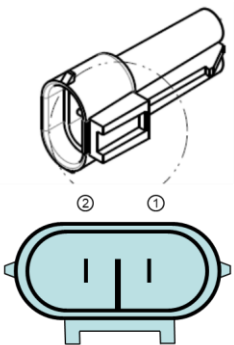
### Photometric

**FMVSS 108** Integral beam low / high beam

\* Consult Dialight for alternate connector options

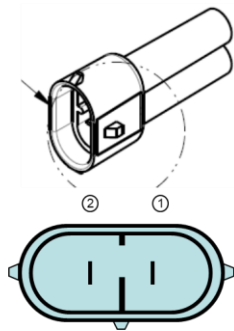


### 90 mm Headlamp Mounting Hole

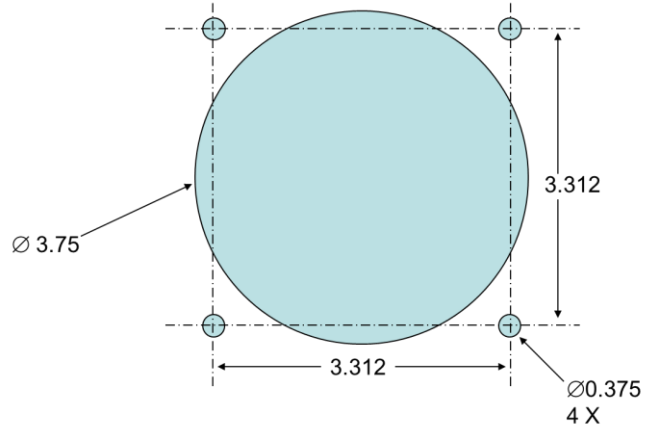


H11 Connector

Position 1 – Positive  
Position 2 - Negative



H9 Connector



Only 3 of 4 small holes required for the lamp mounting

Typical panel thickness .050"  
Dimensions in inches  
Drawing may not be to scale

Part Number	Function	Connector	Warranty
HLB324CB	High Beam	H11	7 Yr
HLB324CB12	High Beam	H9	12 Yr
HLB324CBH9	High Beam	H9	7 Yr
HLC324CB	Low Beam	H11	7 Yr
HLC324CB12	Low Beam	H11	12Yr
HLC324CBH9	Low Beam	H9	7 Yr



On when  
it counts.



US Patent # 7,160,004 # 7,604,384 others pending

### Application

- Low Beam Headlight
- High Beam Headlight

### Certifications & Ratings

- FMVSS 108

### Features & Benefits

- Integral wiring
- Rugged die cast housing
- Overvoltage / transient protected
- Loom covered wires
- Visual Alignment
- 7 & 12 Year Warranty Options

### Mechanical Information

**Mounting Hole Size** N/A – Requires mounting bucket

### Electrical Specification

**Nominal Voltage** 10 / 24 VDC Dual voltage operation

**Typical Current**

Low beam
12 VDC – 1.2 A
24 VDC – 0.58 A
High beam
12 VDC – 1.75 A
24 VDC – 0.88 A

### Construction

**Lens Material** Hard coated polycarbonate

**Housing** Anodized die cast aluminum

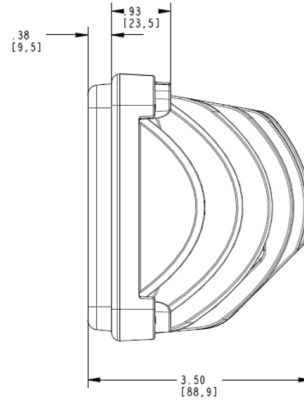
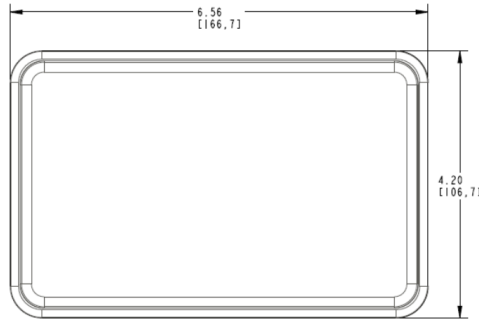
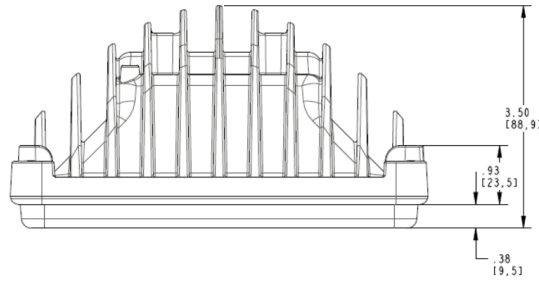
**Sealing Method** Polyurethane

**Connector\*** 2 / 3 prong on 6" wire harness

### Photometric

**FMVSS 108** Integral beam low / high beam

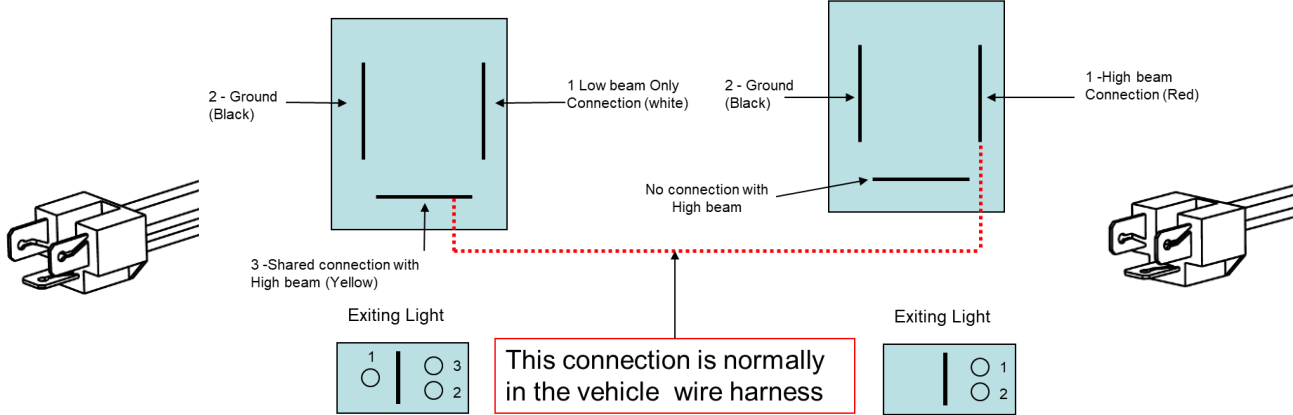
\* Consult Dialight for alternate connector options



**4 x 6 Headlight Connection if 4 lamp operation desired in high beam mode**  
Looking into the end of the harness on light The wires are to the back in this view

**4 x 6 Low Beam Connection  
(3 wires from light)**

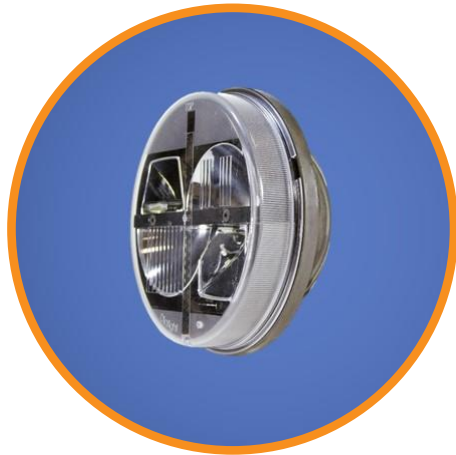
**4 x 6 High Beam Connection  
(2 wires from light)**



Part Number	Function	Connector	Warranty
HLB424CB	High Beam	2 wire	7 Yr
HLB424CB12	High Beam	2 wire	12 Yr
HLC434CB	Low Beam	3 wire	7 Yr
HLC434CB12	Low Beam	3 wire	12 Yr



On when  
it counts.



US Patent # 7,160,004 # 7,604,384 others pending

### Application

- Low Beam Headlight
- High Beam Headlight

### Certifications & Ratings

- FMVSS 108

### Features & Benefits

- Integral wiring
- Rugged die cast housing
- Overvoltage / transient protected
- Loom covered wires
- Visual alignment
- Optional lens heater
- 7 & 12 Year warranty options

### Mechanical Information

**Mounting Hole Size** N/A – Requires mounting bucket

### Electrical Specification

**Nominal Voltage** 10 / 24 VDC Dual voltage operation

**Typical Power** Low beam  
12 VDC – 23 W  
24 VDC – 21 W

High beam  
12 VDC – 35 W  
24 VDC – 31 W

Lens h

**Lens Material** Hard coated polycarbonate

**Housing** Anodized die cast aluminum

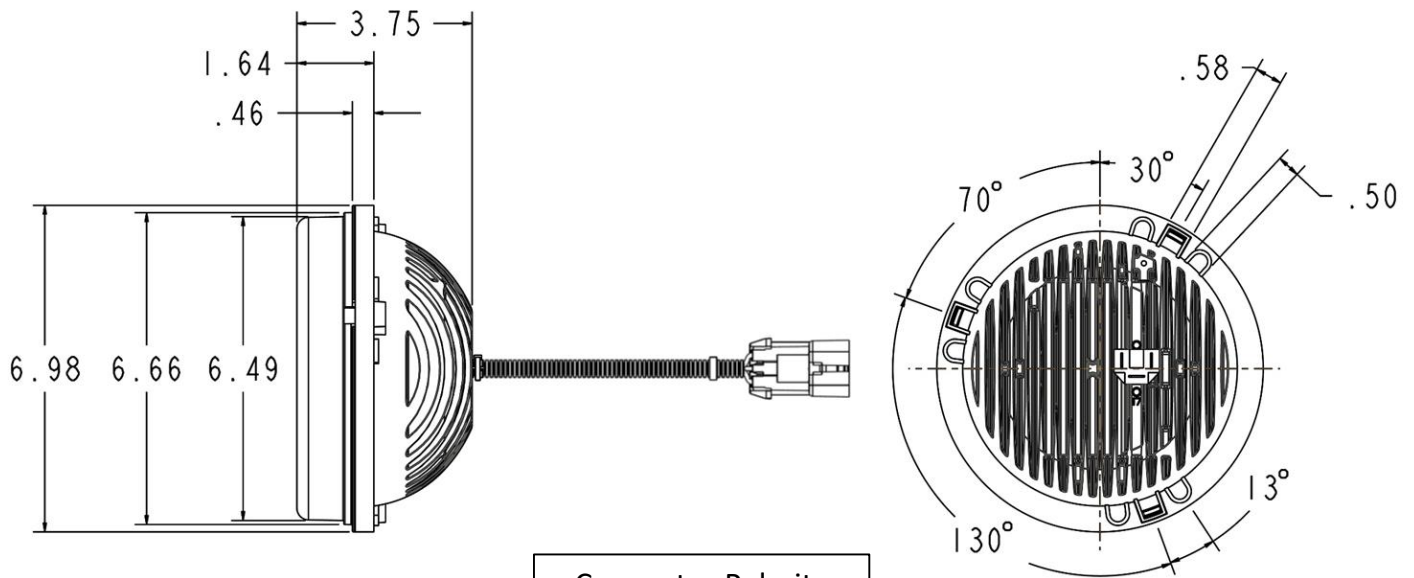
**Sealing Method** Polyurethane

**Connector\*** Delphi Metri-pak 280 15300003-B

### Photometric

**FMVSS 108** Integral Dual low / high beam

\* Consult Dialight for alternate connector options



Connector Polarity  
 Pos. A = Ground  
 Pos. B = Low Beam  
 Pos. C = High Beam

Part Number	Function	Heater Option	Warranty
HLD734CB	Dual Beam	No	7 Yr
HLD734CBH	Dual Beam	Yes	7 Yr
HLD734CB12	Dual Beam	No	12 Yr
HLC734CBH12	Dual Beam	Yes	12 Yr



# Dialight

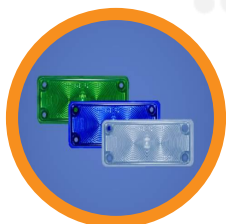
## The Leader in LED Bus Lights

LED Auxiliary, Compartment, License, and  
Stair / Door Lights



### 13 Series

- 2.5" x 1.0"
- 2.125" Screw mounting centers
- 12 VDC and 24 VDC
- Blue , White



### 18 Series

- 4.8" x 1.95"
- 4 Mounting screws 1.19 "x 3.875" pattern
- 12 VDC and 24 VDC
- Blue, White, Green



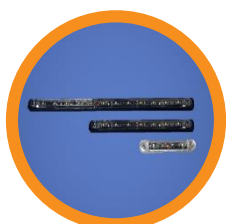
### 586 Series

- Bayonet based LED
- White reading / Blue seat light
- 24 VDC White
- 12 VDC blue



### 79 Series

- 2" x 8.5"
- 7.5" on center mounting holes
- 12 VDC, 24 VDC License light
- 12 VDC Compartment light
- White



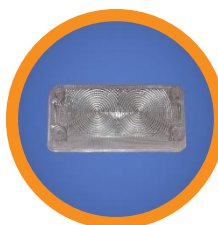
### VSL Series

- 6", 12", 18" Strip Lights
- Clear lens
- Metal Base
- 12 VDC, 24 VDC, 10-30 VDC
- White



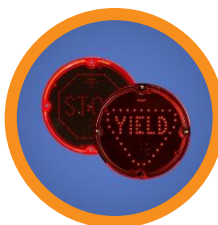
### 17 Series

- 2.5" Round
- Black flange mount
- 12 VDC and 24 VDC
- With and without optics
- White



### 18 Series Bi-color

- 4.8" x 1.95"
- 4 Mounting screws 1.19 "x 3.875" pattern
- 12 VDC
- Red / Green output



### 72/73 Series

- 7" Round auxiliary lights
- Stop, Yield
- 10-30 VDC
- Red



### 86 Series

- 6", Strip Lights
- 12 VDC, and 24 VDC
- Amber, Red



### VSW Series

- 4.2" x 3.2"
- Stairwell light
- Interior and exterior mount

### LED Light Mounting Recommendations (when no guard is used)

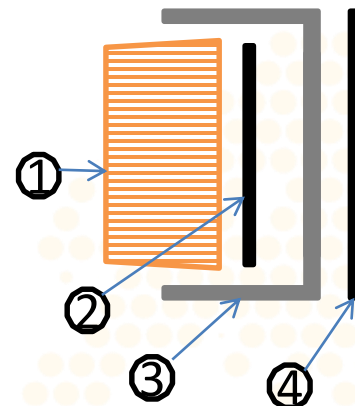
- Mounting plane for the light must be flat and not rounded
- If not provided with the light, select appropriate attachment screw such that the screw threads clear the through holes in the light
- If the light has a recessed area for the screw head, ensure the screw head has clearance between the side walls of the recess and the screw head
- For lights with gaskets position the gasket behind the light to compensate for minor surface irregularities and to seal the light to vehicle interface.
- Tighten screws to a torque of 12 to 14 in-lbs.
- Caution: Loctite is not recommended for use when installing the lights as Loctite contains chemical ingredients that are not compatible with polycarbonate materials
- Caution: Do not over-torque the screws when installing. Over-torquing of the screws may add stress to the light that could make the light susceptible to failure from cleaning soaps that would attack the light at the stressed area resulting in potential cracking of the light.

### LED Light Mounting Recommendations (when used with optional guard)

Note: the use of an additional foam gasket and guard are optional but when the guard is used it must be used in conjunction with the foam gasket supplies with the light. Guards should be utilized in applications to provide additional protection when the lights are mounted in a location where they may be exposed to physical impact from hard objects

- Mounting plane for the light must be flat and not rounded
- If not provided with the light, select appropriate attachment screw such that the screw threads clear the through holes in the light
- If the light has a recessed area for the screw head, ensure the screw head has clearance between the side walls of the recess and the screw head
- Position light (1) and gasket (2) into the guard (3)
- Place gasket that additional gasket (4) between the back of the guard and the bus
- Mount the light with guard / gaskets to the bus positioning a nylon washer underneath the screw head so that the screw head does not dig into the polycarbonate lens.
- Mounting torque should be limited to 12 -14 in-lbs.
- Caution: Loctite is not recommended for use when installing the lights as Loctite contains chemical ingredients that are not compatible with polycarbonate materials
- Caution: Do not over-torque the screws when installing. Over-torquing of the screws may add stress to the light that could make the light susceptible to failure from cleaning soaps that would attack the light at the stressed area resulting in potential cracking of the light.

Item	Description
1	Light
2	Foam Gasket
3	Light Guard
4	Additional Foam Gasket





On when  
it counts.



### Application

- Under Seat Light
- Aisle Light

### Features & Benefits

- Integral wiring
- Small footprint
- Clear Lens
- Reverse polarity protected
- Maintenance saving

### Mechanical Information

**Mounting Hole Size** 0.5 in (12.7 mm)

**Mounting Torque** 12 – 14 in-lbs.

### Electrical Specification

**Nominal Voltage** 12 VDC and 24 VDC

**Typical Current** 12 VDC – 30 mA @ 12.8 VDC  
24 VDC – 15 mA @ 24 VDC

### Construction

**Lens Material** Polycarbonate

**Sealing** Potted design

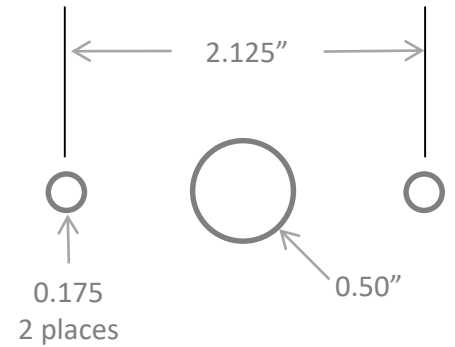
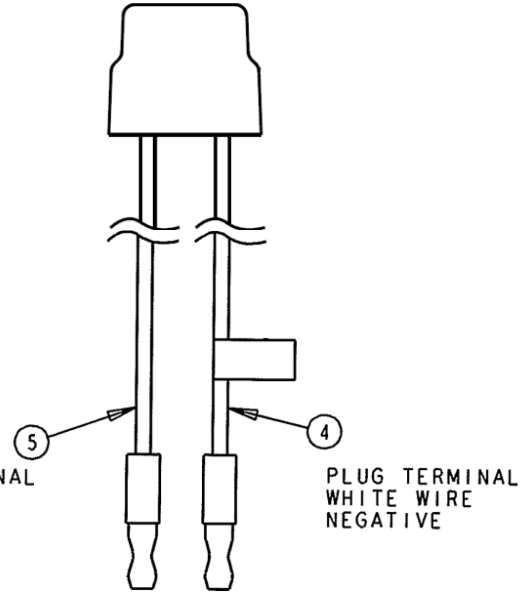
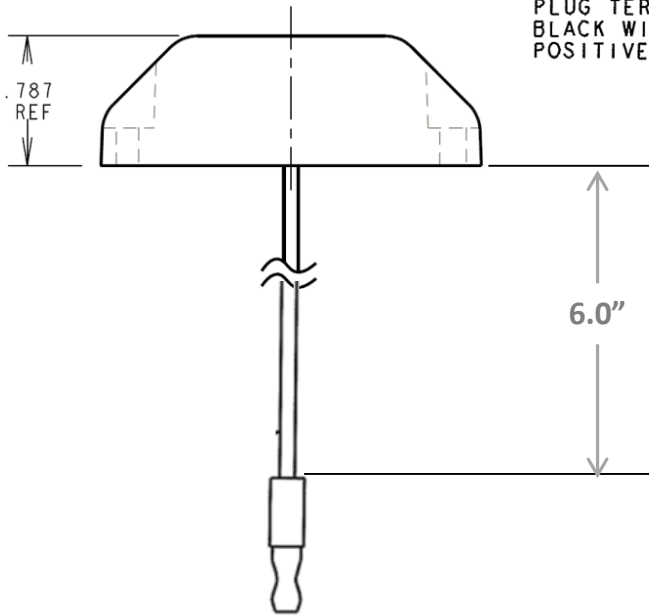
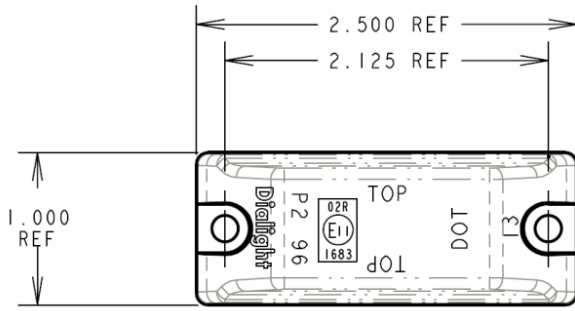
**Gasket Material** Closed cell foam

**Connector\*** .180 bullet terminals  
White wire +, Black wire –

### Photometric

**Mounting Limits** Horizontal mount  
 $\pm 5^\circ$  slope

\* Consult Dialight for alternate connector options



Part Number	Color	Voltage
13001BB	Blue	12 VDC
13001CB	White	12 VDC
13003BB	Blue	24 VDC
13003CB	White	24 VDC



On when  
it counts.



### Application

- Auxiliary White Light
- Fare box Light
- Drivers Light
- Stepwell light

### Features & Benefits

- Integral wiring
- Black Flange Mount
- 10° Angled mounting grommet option
- Closed cell foam gasket option
- Versions with or without optics
- Reverse polarity protected
- Maintenance saving

### Mechanical Information

**Mounting Hole Size** 2 3/4” for flange mount

### Electrical Specification

**Nominal Voltage** 12 VDC and 24 VDC

**Typical Current** 12 VDC - 175 mA @ 13.5 VDC  
24 VDC - 80 mA @ 25 VDC

### Construction

**Lens Material** Polycarbonate

**Housing material** Polycarbonate

**Sealing Method** Vibration welded

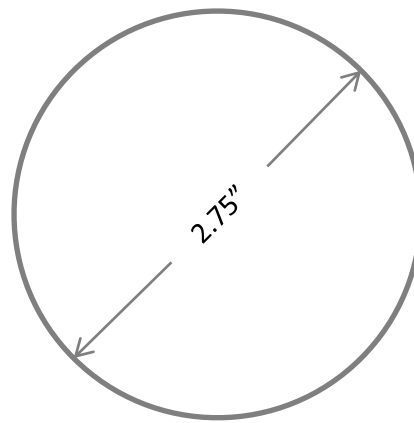
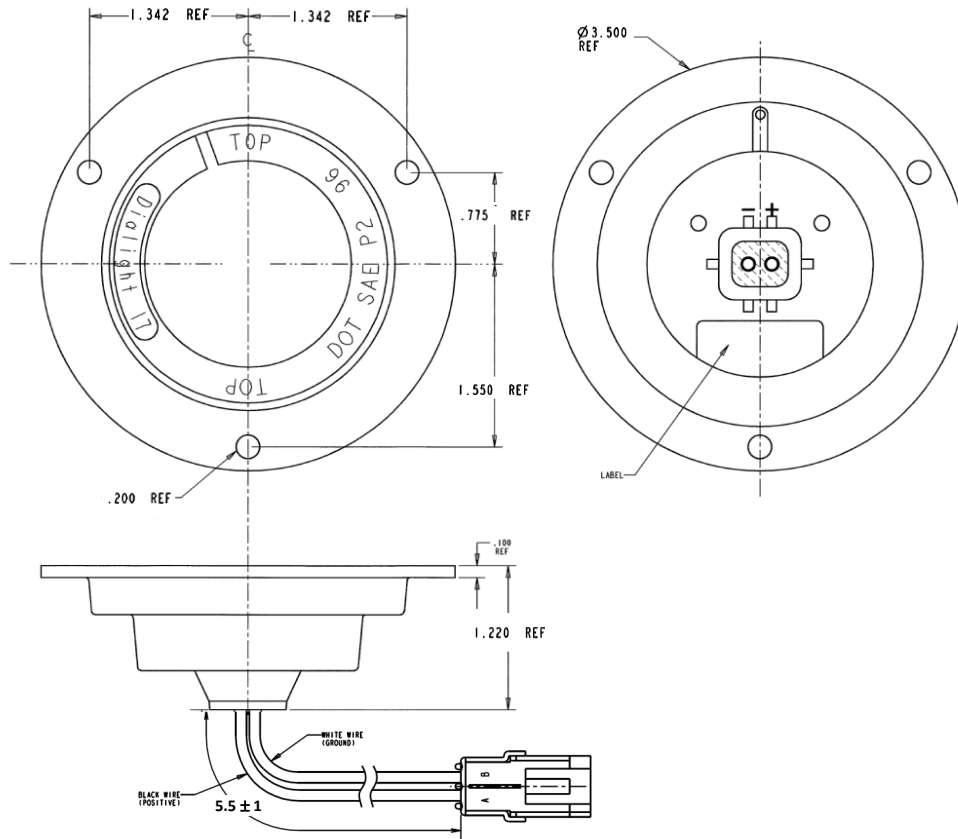
**Connector\*** Delphi 1201-0973

+ to position A – to position B

### Photometric

**Optical Pattern** w/ optics: 55 lm typical  
45° x 10 degree beam  
w/o optics 60 lm typical  
20° circular beam

\* Consult Dialight for alternate connector options

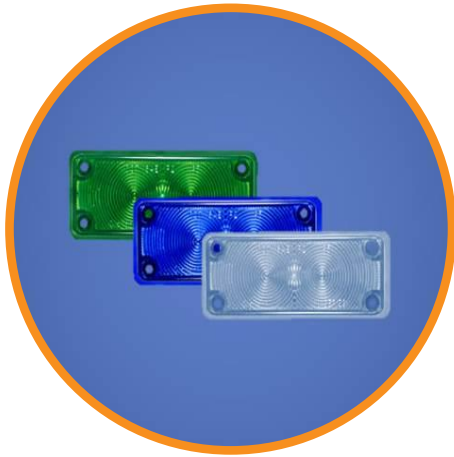


Suggested mounting hole

Part Number	Color	With Optics in Lens	Voltage
17081CB	White	Yes	12 VDC
17081CB802	White	No	12 VDC
17083CB	White	Yes	24 VDC
17083CB809	White	No	24 VDC



On when  
it counts.



### Application

- Door status indication
- Aisle light
- Under seat light
- Compartment light

### Features & Benefits

- Light emits from 5 surfaces
- Integral wiring
- Low profile
- Flexible mounting
- Reverse polarity protected
- Maintenance saving
- Lamp guards available

### Mechanical Information

<b>Mounting Hole Size</b>	1.84" (46.7 mm)
<b>Mounting Torque</b>	12 – 14 in-lbs.

### Electrical Specification

<b>Nominal Voltage</b>	12 VDC and 24 VDC
<b>Typical Current</b>	Blue 12 VDC – 150 mA @ 12.8 VDC 24 VDC – 60 mA @ 24 VDC
	Green 12 VDC – 40 mA @ 12.8 VDC 24 VDC – 20 mA @ 24 VDC
	White 12 VDC – 140 mA @ 12.8 VDC 24 VDC – 70 mA @ 24 VDC

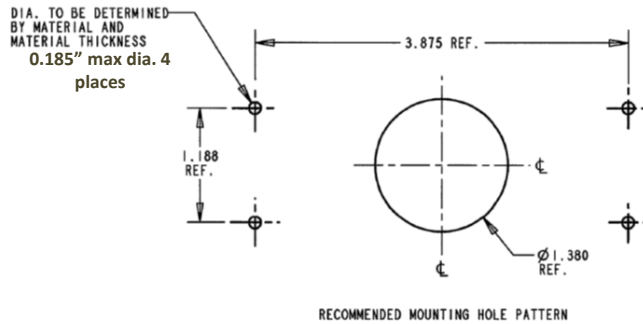
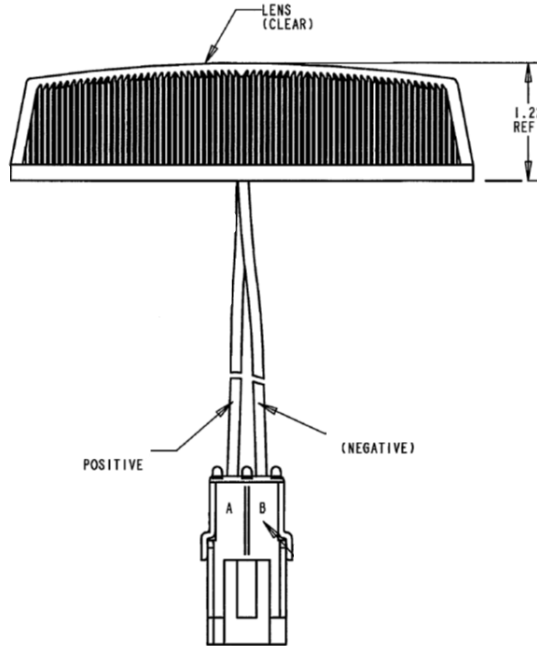
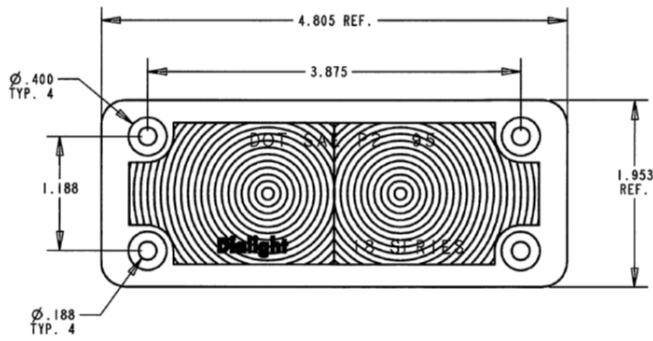
### Construction

<b>Lens Material</b>	Polycarbonate
<b>Housing material</b>	Polycarbonate
<b>Sealing Method</b>	Vibration Welded
<b>Gasket Material</b>	Closed cell foam
<b>Connector*</b>	Delphi 1201-0973 + to position A – to position B

### Photometric

<b>Mounting Limits</b>	Horizontal or vertical
------------------------	------------------------

\* Consult Dialight for alternate connector options

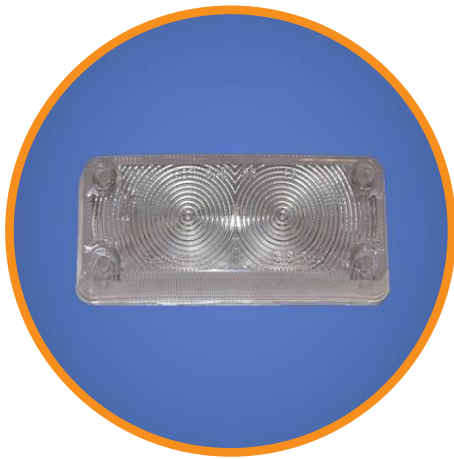


Part Number	Color	Voltage
18001BB	Blue	12 VDC
18001CB	White	12 VDC
18001GB	Green	12 VDC
18011BB801	Blue	24 VDC
18011CB802	White	24 VDC
18011GB	Green	24 VDC





On when  
it counts.



### Application

- LED Door Indicator

### Features & Benefits

- Bi-color for positive door status indication
- Light emitted from 5 surfaces
- Integral wiring
- Flexible mounting
- Reverse polarity protected
- Maintenance saving
- Lamp guards available

### Mechanical Information

**Mounting Hole Size** 1.84" (46.7 mm)

**Mounting Torque** 12 – 14 in-lbs.

### Electrical Specification

**Nominal Voltage** 12 VDC

**Typical Current** Red – 60 mA @ 12.8 VDC  
Green – 60 mA @ 12.8 VDC

### Construction

**Lens Material** Polycarbonate

**Housing material** Polycarbonate

**Sealing Method** Vibration Welded

**Gasket Material** Closed cell foam

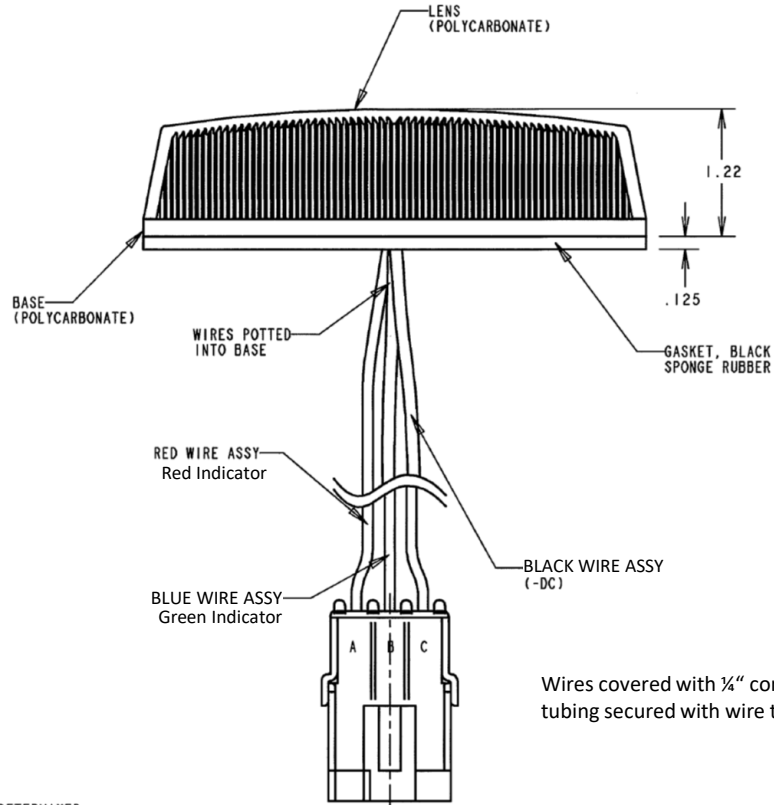
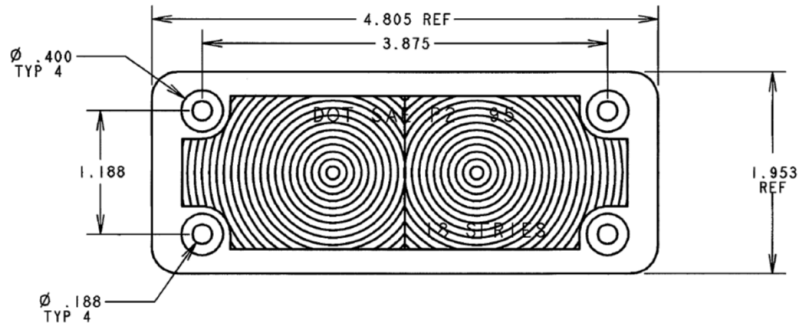
**Connector\*** Delphi 1201-5793  
Red to position A, Green to position B, ground to Position C

### Photometric

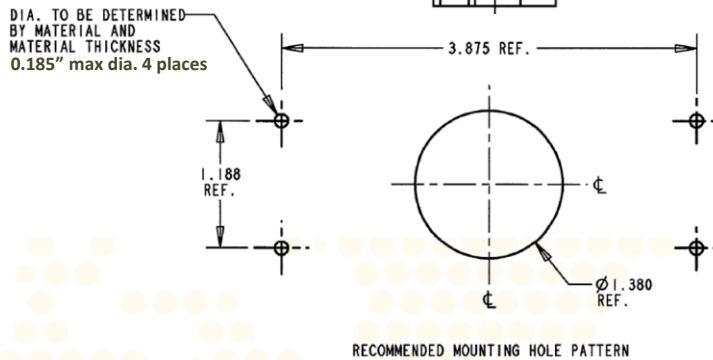
**Output** Top – Red 5 cd, Green 6 cd  
Side – Red 4 cd, Green 5 cd  
End – Red 2.5 cd, Green 3 cd

**Mounting Limits** Horizontal or vertical

\* Consult Dialight for alternate connector options



Wires covered with 3/4" convoluted loom tubing secured with wire ties (not shown)



Part Number	Color	Voltage
18001CB-805	Red / Green	12 VDC



On when  
it counts.



### Application

- White reading light
- Blue under seat aisle light

### Features & Benefits

- Incandescent replacement
- Bayonet base
- Extended housing style offered on reading light
- Maintenance saving

### Electrical Specification

<b>Nominal Voltage</b>	12 VDC Blue
	24 VDC White
<b>Typical Current</b>	12 VDC – 70 mA @ 12 VDC
	24 VDC – 35 mA @ 24 VDC

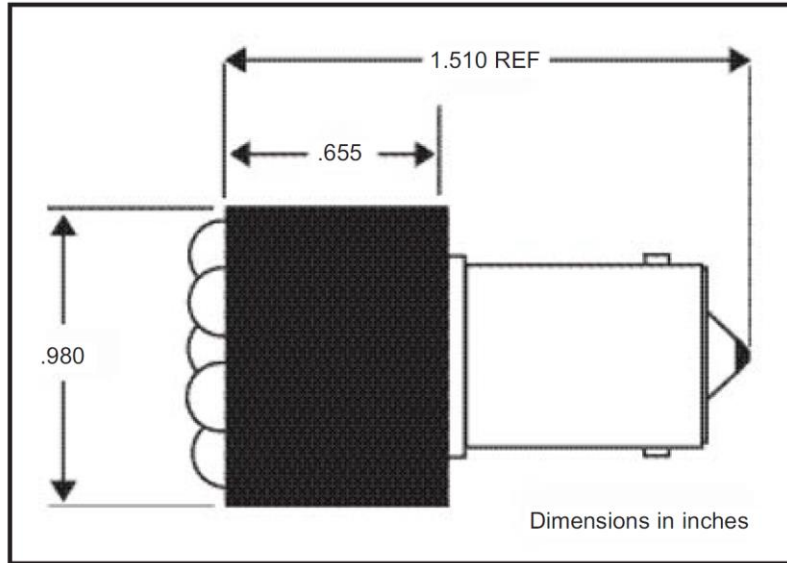
### Construction

<b>Shroud Material</b>	Polycarbonate
<b>Base material</b>	Nickel plated Brass
<b>Polarity</b>	Center contact - Positive

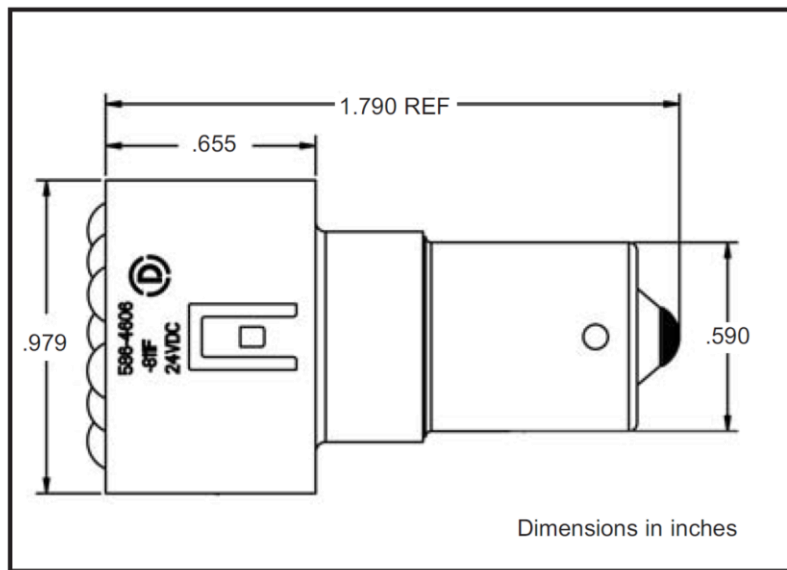
### Photometric

<b>Output</b>	Blue – 7,000 mcd
	White – 46,000 mcd

### Standard Housing



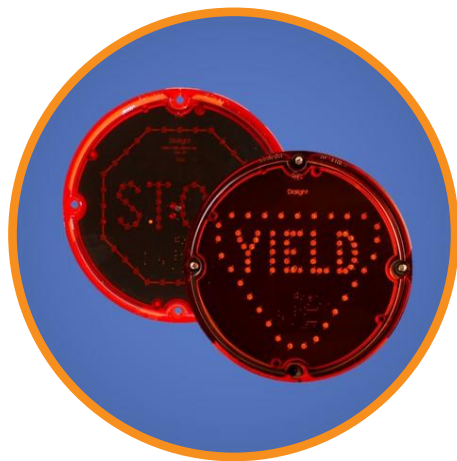
### Extended Housing



Part Number	Color	Voltage	Housing Style
586-4605-802	Blue	12 V	Standard
586-4606-801	White	24 V	Standard
586-4606-811F	White	24 V	Extended



On when  
it counts.



### Application

- Yield to Bus Warning
- Auxiliary Stop Graphic

### Features & Benefits

- Integral wiring
- Potted designs
- Surface mounted
- Reverse polarity protected
- Maintenance saving
- Enhanced Safety

### Mechanical Information

**Mounting Hole Size** See mounting hole pattern on page 2

**Mounting Torque** 12 – 14 in-lbs.

### Electrical Specification

**Nominal Voltage** 10 - 30 VDC

**Power** 4.2 Watts

### Construction

**Lens Material** Hard coated polycarbonate

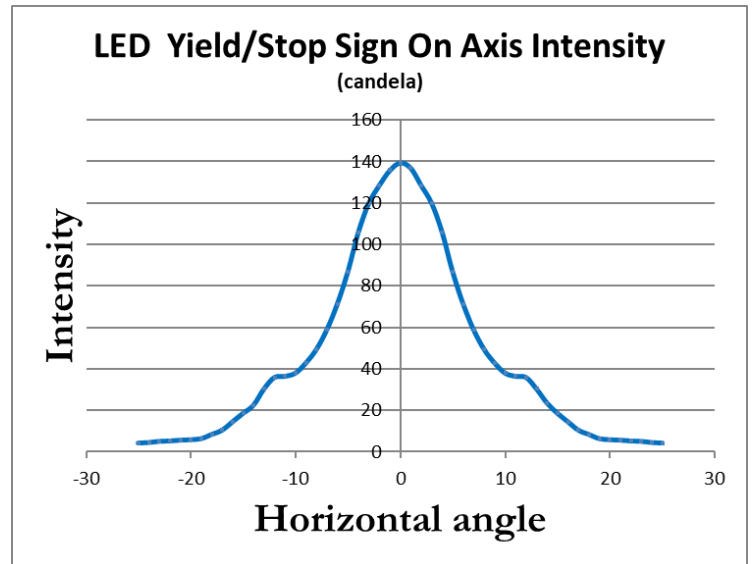
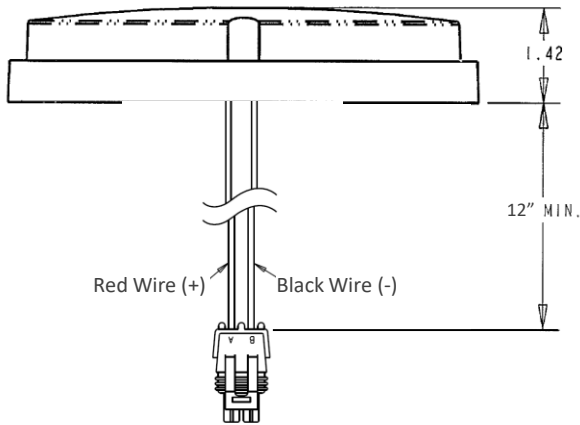
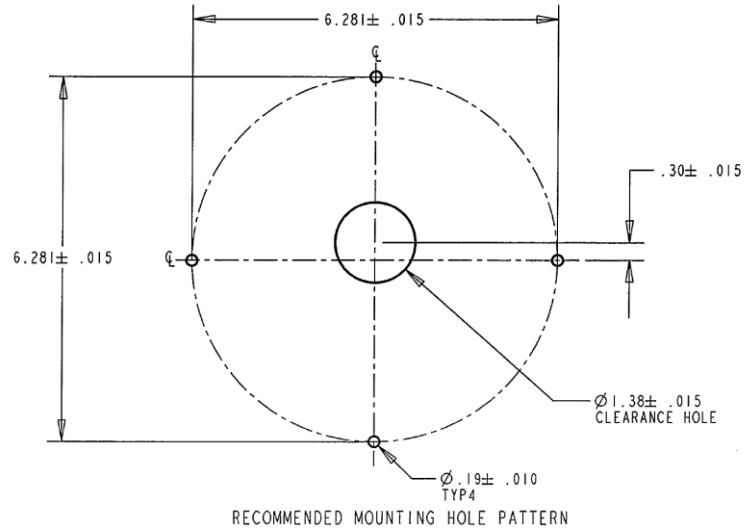
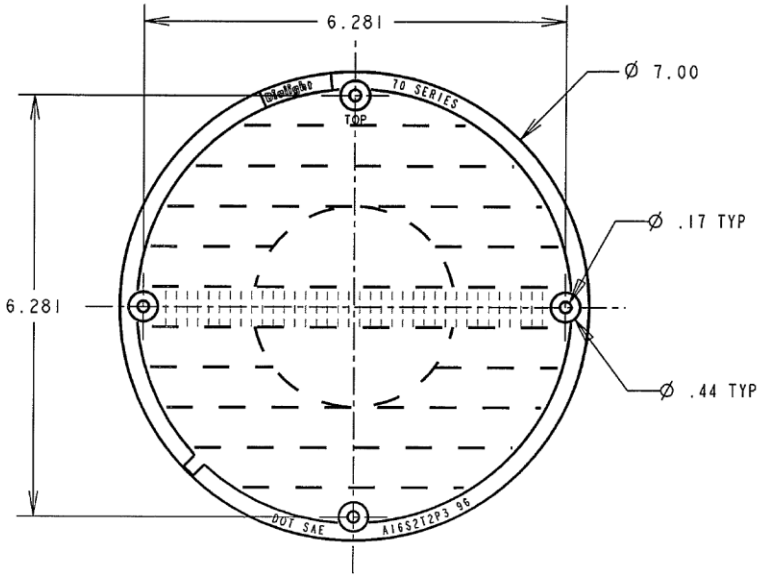
**Sealing Method** Potted

**Connector\*** Delphi 1201-5792  
+ to position A – to position B

### Photometric

**Peak Intensity** 140 cd

\* Consult Dialight for alternate connector options



Part Number	Color	Icon	Voltage
72124RB	Red	Yield	10 - 30 VDC
73124RB	Red	Stop	10 - 30 VDC



On when  
it counts.



### Application

- FMVSS 108 License Plate Light
- Compartment Light

### Features & Benefits

- Integral wiring
- Potted low profile design
- Surface mounted
- Reverse polarity protected
- Maintenance saving
- Foam sealing gasket included

### Mechanical Information

**Mounting Hole Size** 2 - .250 screw holes on 7.5" centers

**Mounting Torque** 12 – 14 in-lbs.

### Electrical Specification

**Nominal Voltage** 12V and 24 VDC

**Typical current**  
License Plate  
12 VDC – 180 mA, 24 VDC – 50 mA  
Compartment Light  
12 VDC – 350 mA

### Construction

**Lens Material** Hard coated polycarbonate

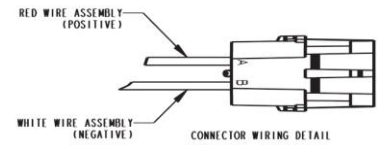
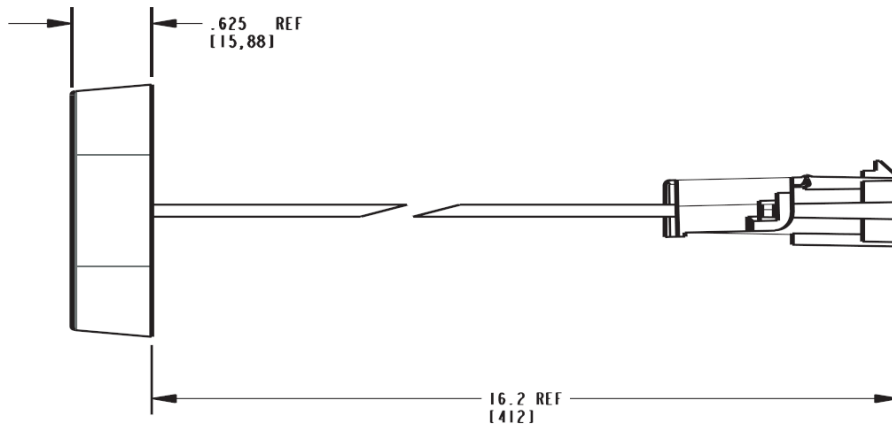
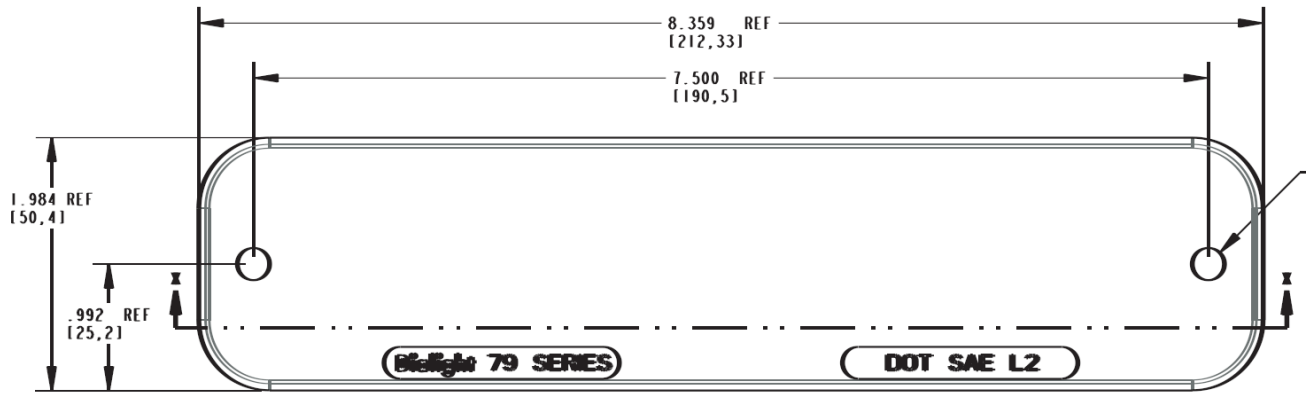
**Sealing Method** Potted

**Connector\*** Delphi 1201-0973  
+ to position A – to position B

### Photometric

**License Plate** FMVSS108 Compliant  
**Compartment** 130 LM output

\* Consult Dialight for alternate connector options

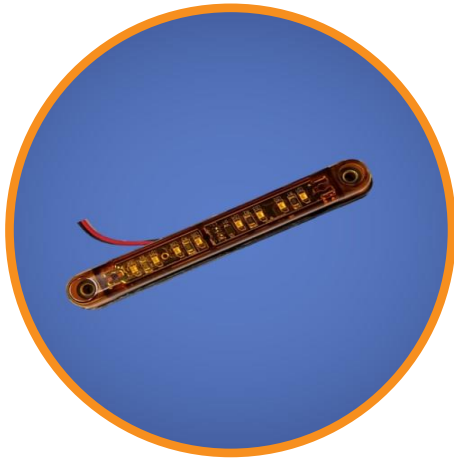


Part Number	Application	Voltage
79001CB	License Plate	12 V
79123CB	License Plate	24 V
79391CB	Compartment	12V





On when  
it counts.



### Application

- Auxiliary Turn
- Auxiliary Stop

### Features & Benefits

- Integral wiring
- Potted design
- Reverse polarity protected
- Surface mounted
- Maintenance saving

### Mechanical Information

**Mounting Hole Size** See pattern on page 2  
**Mounting Torque** 12 – 14 in-lbs.

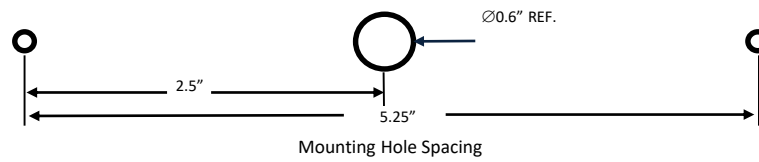
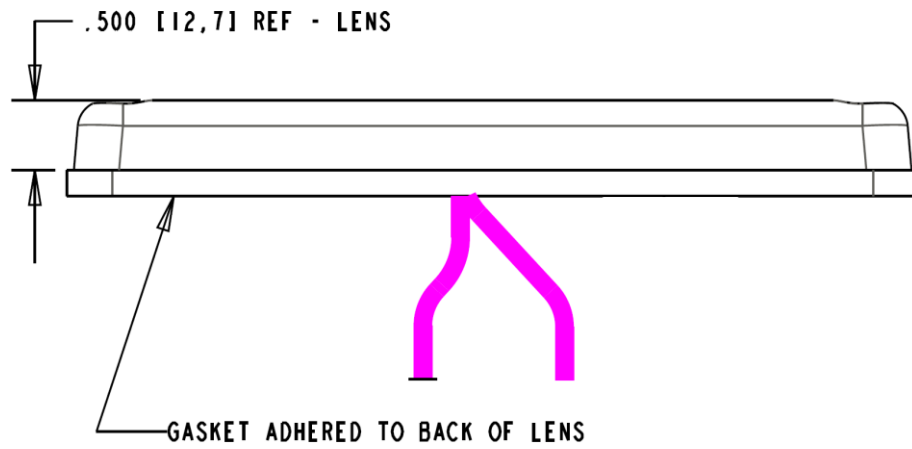
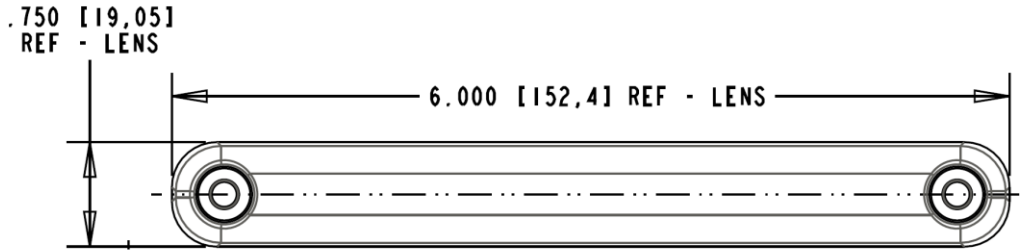
### Electrical Specification

**Nominal Voltage** 12 VDC and 24 VDC  
**Typical Current** 12 VDC – 160 mA @ 12.8 VDC  
24 VDC – 75 mA @ 25.6 VDC

### Construction

**Lens Material** Hard coated polycarbonate  
**Gasket Material** Closed cell foam with PSA  
**Sealing Method** Potted  
**Termination\*** 12" Bare wires, Red Positive, Black Negative

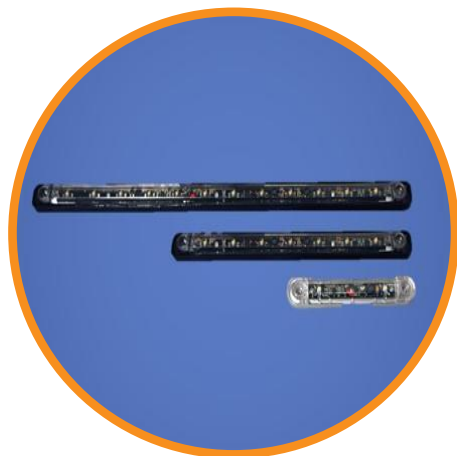
\* Consult Dialight for alternate termination options



Part Number	Color	Voltage
86121AB	Amber	12 VDC
86121RB	Red	12 VDC
86123AB	Amber	24 VDC



On when  
it counts.



### Application

- High Intensity Lighting
- Doorway Light
- Aisle Light
- Compartment Lighting

### Features & Benefits

- Fully sealed
- Integral Wiring
- Rugged Shatterproof Lens
- Shock and Vibration Resistant
- Reverse polarity protected
- Maintenance saving

### Mechanical Information

**Mounting Hole Size** See mechanical drawing

**Mounting Torque** 12 – 14 in-lbs.

### Electrical Specification

**Nominal Voltage** 10-30 VDC and 24 VDC

**Typical current** See chart on next page

### Construction

**Lens Material** Hard coated polycarbonate

**Base Material** Aluminum

**Sealing Method** Polyurethane seal

**Connector\*** Delphi 1201-0973  
+ to position A – to position B

VSLCC16B35802 uses  
Deutsch DT04=2P  
+ to position 1 – to position 2

### Photometric

**Color Temp** 6500K

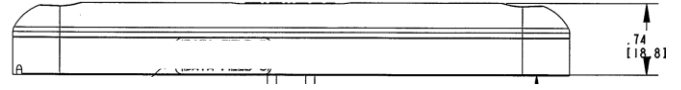
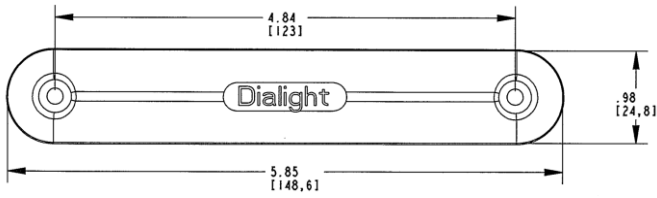
**6" VSLCC15** 125 – 200 LM output

**12" VSLCC16** 350 LM output

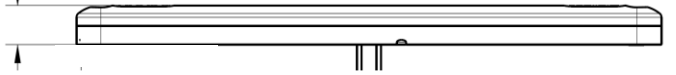
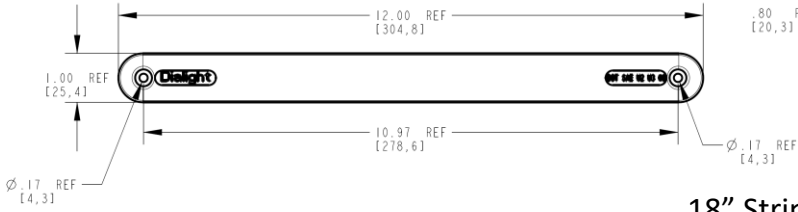
**18" VSLCC17 / 37** 500 LM output

\* Consult Dialight for alternate connector options

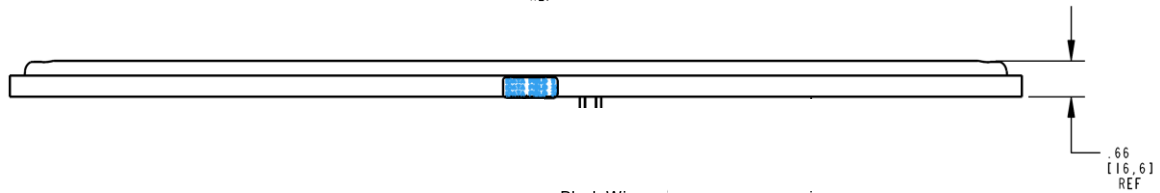
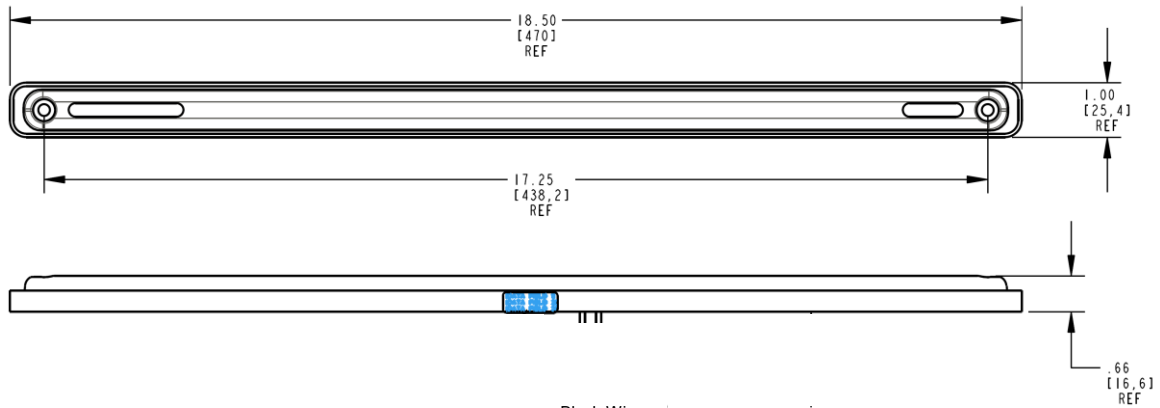
## 6" Strip Light



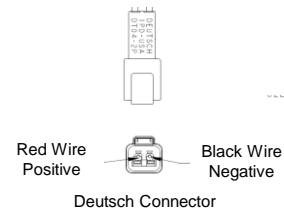
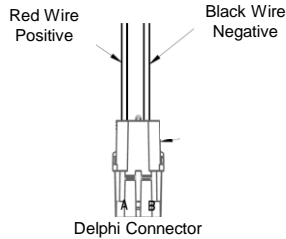
## 12" Strip Light



## 18" Strip Light



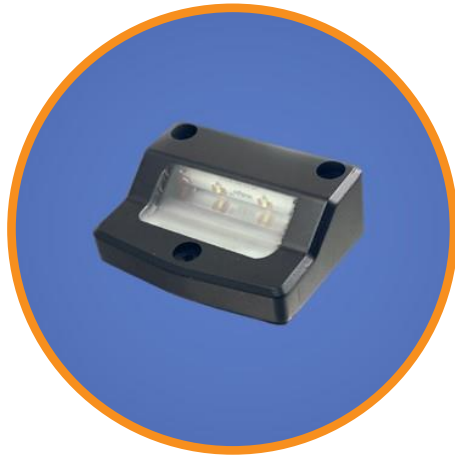
Typical Wire Length 18"



Part Number	Size	Voltage	Typical Current		Base Color	Lens	LM Output
			12 VDC	24 VDC			
VSLCC15B35801	6"	10-30 VDC	320 mA	135 mA	Black	Textured	125
VSLCC15B35802	6"	10-30 VDC	600 mA	250 mA	Black	Clear	200
VSLCC15M35804	6"	10-30 VDC	600 mA	250 mA	Aluminum	Clear	200
VSLCC16B35801	12"	10-30 VDC	550 mA	230 mA	Black	Clear	350
VSLCC16B35802	12"	10-30 VDC	550 mA	230 mA	Black	Clear	350
VSLCC17B35802	18"	10-30 VDC	890 mA	370 mA	Black	Clear	500
VSLCC37B35809	18"	24 VDC	---	1000 mA	Black	Clear	500



On when  
it counts.



### Application

- ADA Doorway Light
- Aisle Light

### Features & Benefits

- Fully sealed
- Integral Wiring
- Rugged Shatterproof Lens
- Shock and Vibration Resistant
- Reverse polarity protected
- Maintenance saving

### Mechanical Information

**Mounting Hole Size** See mechanical drawing

**Mounting Torque** 12 – 14 in-lbs.

### Electrical Specification

**Nominal Voltage** 10-30 VDC

**Typical current** 110 mA @ 24 VDC

### Construction

**Lens Material** Hard coated polycarbonate

**Sealing Method** Potted

**Gasket Material** Closed cell foam

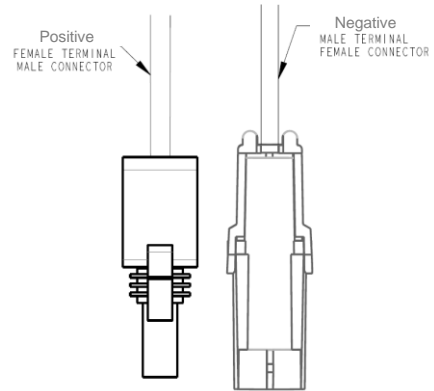
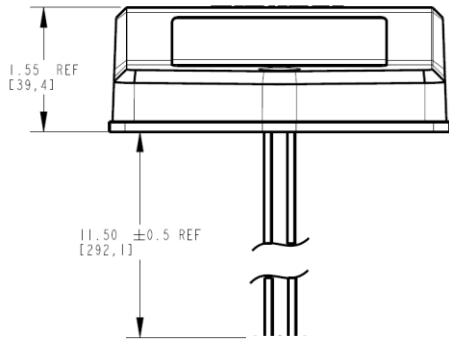
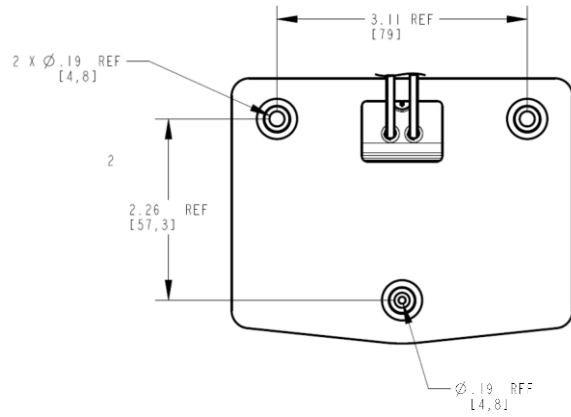
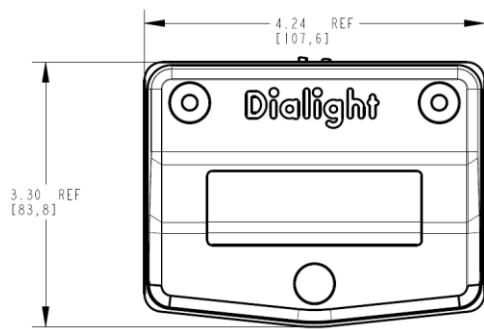
**Connector\*** Delphi 1201-5791 positive  
Delphi 1201-0996 negative

### Photometric

**Color Temp** 6500K

**Illumination area** 1ft-cd over 3' x 3" area

\* Consult Dialight for alternate connector options



Part Number	Housing Color	Voltage
VSWCC19B35801	Black	10 - 30 VDC
VSWCC19C35802	White	10 - 30 VDC
VSWCC19M35803	Chrome	10 - 30 VDC

## Vehicle Lighting Mounting Accessories

Accessory Part No.	Description	Series Used on
90601S	90mm Alignment screw kit	90 mm HLC / HLB
91304A	13 Series 1.25" x 2.75" x 0.125" thick foam gasket	13
91502A	15 Series Single armor guard, aluminum	15
91504A	15 Series 0.68" x 3.8" x .188" thick foam gasket	15
91601A	16 Series Mounting grommet	16
91701A	17 Series Mounting grommet	17
91704A	17 Series 3.5" dia. X 0.188" thick foam gasket	17 Flanged only
91704N804	17 Series Flange 10° mounting gasket	17 Flanged only
91802A	18 Series Single armor guard, aluminum	18
91802D	18 Series Single armor guard, stainless steal	18
91802N801	18 Series Single armor guard, with white powder coating	18
91804A	18 series 2.25" x 5" x 0.188" thick foam gasket	18
91804N803	Smaller 18 series 1.79" x 4.64" x 0.125" thick foam gasket	18
91809A	18 series 1 3/4" mounting screw and washer kit (1 each)	18
91898A	18 Series Hardware Kit (4 each Screw and Washer)	18
94001A	4" Round Mounting grommet	46, 48
94004A	40 Series 5.5" dia x 0.188" thick foam gasket	46, 48 Flanged only
94012B	3 way packard connector kit - Male conn/Female pins	18, 46, 48, 68, 70, 80, 84
94012C	3 way packard connector kit - Female conn / Male pins	18, 46, 48, 68, 70, 80, 84
94502A	45 Series single Armor Guard	45
94504A	45 series 1.63' x 4.0" x 0.125 thick foam gasket	45 Standard
94511B	2 way packard connector kit - Male conn / Female pins	13, 15, 16, 17, 18, 20, 46, 48, 68, 69, 70, 71, 80, 84
94511C	2 way packard connector kit - Female conn / Male pins	13, 15, 16, 17, 18, 20, 46, 48, 68, 69, 70, 71, 80, 84
96001A	2 x 6 oval Mounting grommet	68, 69
96001A801	2 x 6 oval Mounting grommet w/ square corners	68, 69
96004A	60 Series 3.3" x 7.55" x 0.188" thick foam gasket	68, 69 Flanged only
97004A	7" Round foam gasket	70, 71, 72, 73
97098A	70 series mounting hardware kit	70, 71, 72, 73

# Additional Vehicle LED Solutions from Dialight

Dialight's Optoelectronics group is your source for a variety of products to address your indication needs. Some examples of additional applications on the vehicle that Dialight provides LED solutions would include:

- Engine retarder indication light
- Dial and switch illumination
- Power status indication

Below are some typical examples of other Dialight products that have been used in a variety of heavy duty vehicle applications. Contact Dialight to find out more about solutions to your indication needs.



## 556 Series

- 1" Indicator
- Nickel plated brass
- IP66 rated
- 12 VDC and 24 VDC
- Flat and Dome Lens



## 557 Series

- 11/16" Indicator
- Polycarbonate lens / housing
- 6" wire leads
- 12 VDC and 24 VDC



## 656 Series

- 1/2" Indicator
- Nickel plated brass
- NEMA 4X rated
- 12 VDC and 24 VDC
- Flat and Dome Lens
- Wire leads or terminals



## 657 Series

- 11/16" Indicator
- NEMA 4X / IP67 rated
- Direct view and Right Angle version available
- Polycarbonate lens / housing
- 6" wire leads
- 12 VDC and 24 VDC

### Dialight

1501 Route 34 South  
Farmingdale, NJ 07727  
Phone 732-919-3119  
Fax 732-751-5778

[www.dialightsignalsandcomponents.com](http://www.dialightsignalsandcomponents.com)  
[Info@dialight.com](mailto:Info@dialight.com)