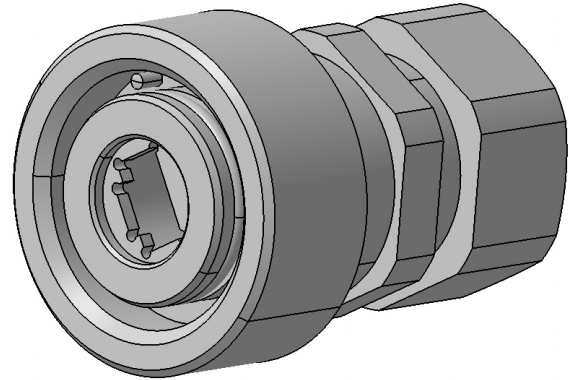


## Accessory 9073.99.0002

### Description

---

RJ45 Plug Kit



### Technical Data

---

Accessory option for Data Line Protector 3414.99.0009  
Connector engagement with rotation locking  
Cable gland for cable diameter 4 - 6 mm  
Ingress protection IP68 acc. to IEC 60529 (data refer to the coupled state)

#### Mechanical Data

Weight 0.089 g

#### Environmental Data

Operating temperature -40 °C to +85 °C  
2011/65/EU (RoHS - including compliant  
2015/863 and 2017/2102)

### Related Documents

---

Outline drawing	DOU-00074330.1
Mounting instruction	DOC-0000239690