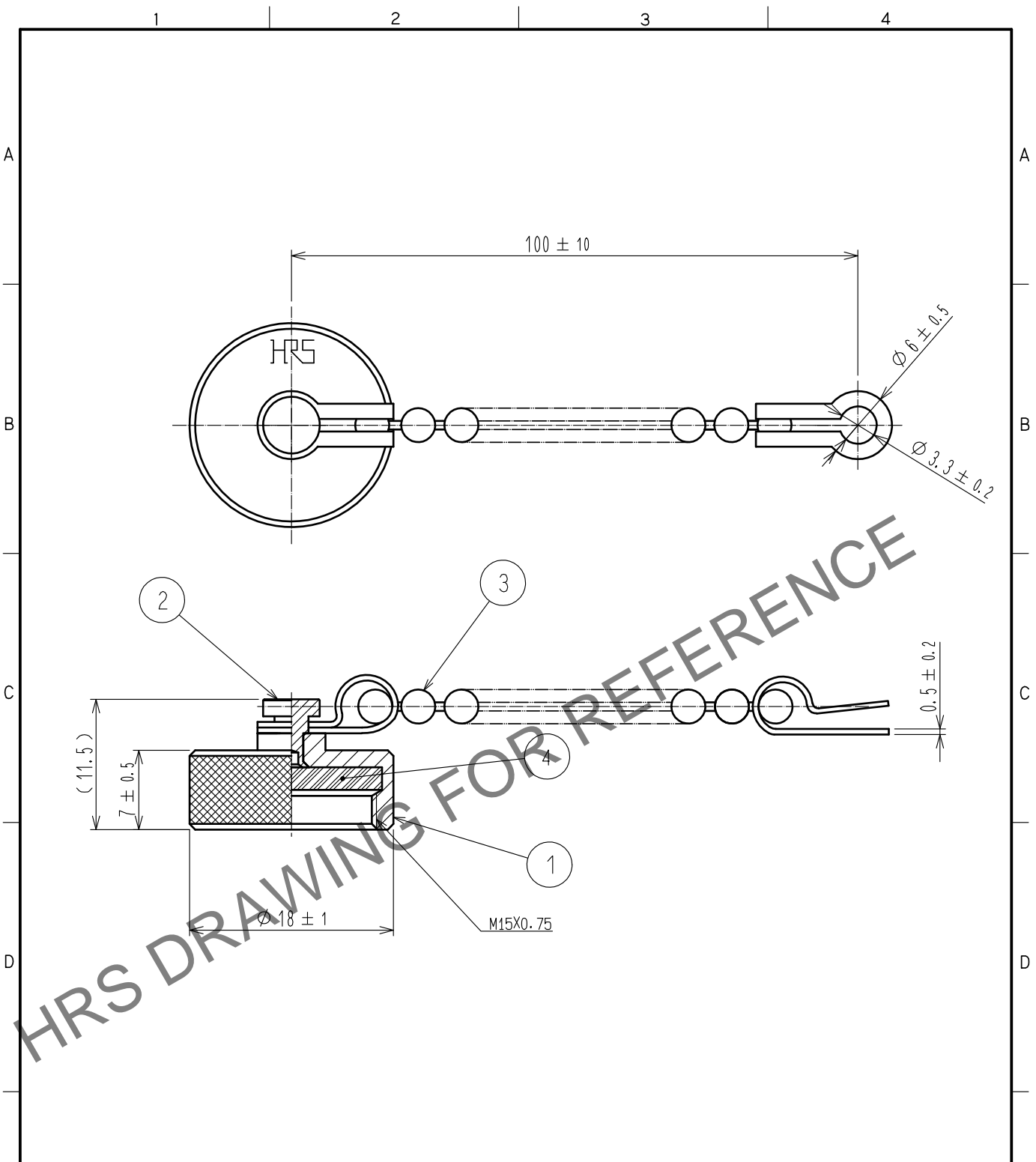


Aug. 1. 2023 Copyright 2023 HIROSE ELECTRIC CO., LTD. All Rights Reserved.
 In case of consideration for using Automotive equipment / device which demand high reliability, kindly contact our sales window correspondents.



NOTE 1. THIS PRODUCT IS A CAP FOR HR22-12WRTR※-※(※). AND IT IS APPLICABLE REGARDLESS OF GIVEN ALPHABETS AND/OR NUMBERS SHOWN AT ※.

2	Brass	Nickel plating	4	Chloroprene rubber	(Black)		
1	Brass	Nickel plating	3	Brass	Nickel plating		
NO.	MATERIAL	FINISH . REMARKS	NO.	MATERIAL	FINISH . REMARKS		
UNITS mm		SCALE 2 : 1	COUNT 	DESCRIPTION OF REVISIONS	DESIGNED	CHECKED	DATE
HIROSE ELECTRIC CO., LTD.	APPROVED	・HY. KOBAYASHI	18. 02. 22	DRAWING NO.	EDC-110521-31-00		
	CHECKED	・HY. KOBAYASHI	18. 02. 22	PART NO.	HR22-12WTR-C(31)		
	DESIGNED	・HY. KISHI	18. 02. 21	CODE NO.	CL122-0029-8-31		1/1
	DRAWN	・MK. INOUE	18. 02. 06				