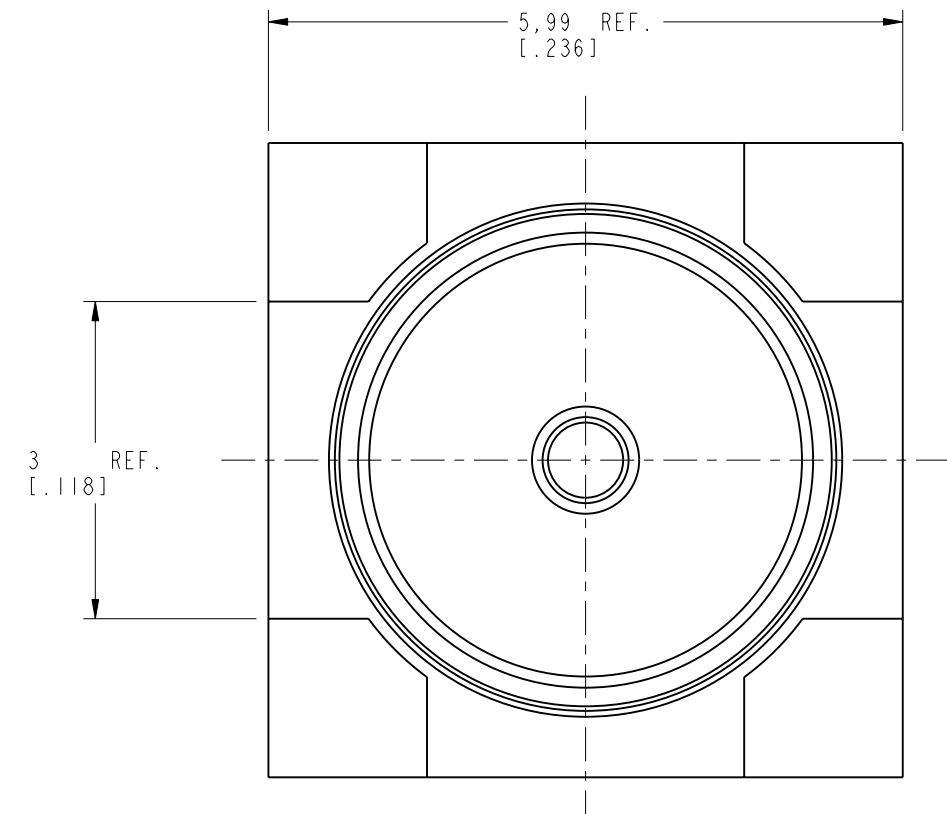
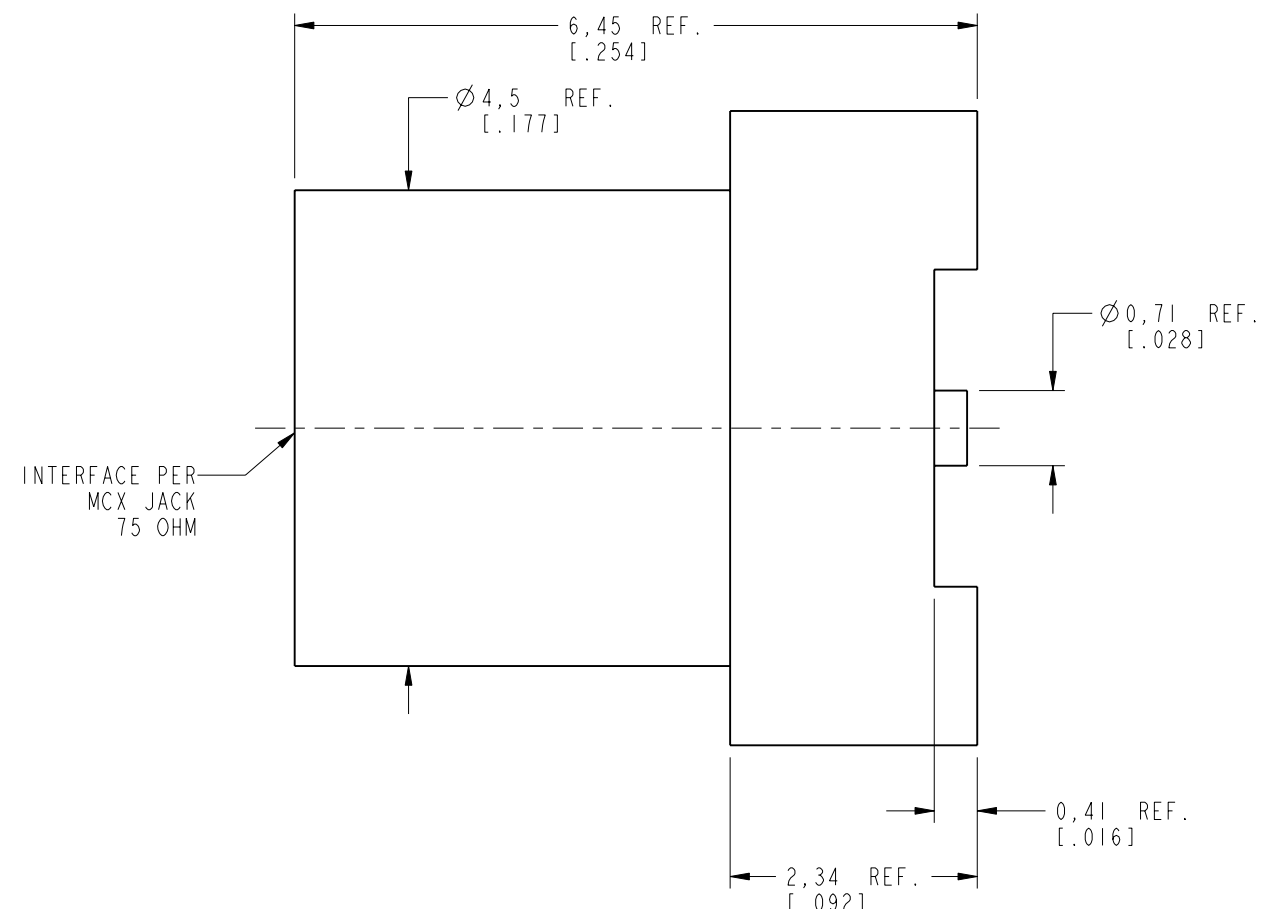
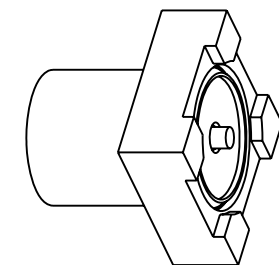
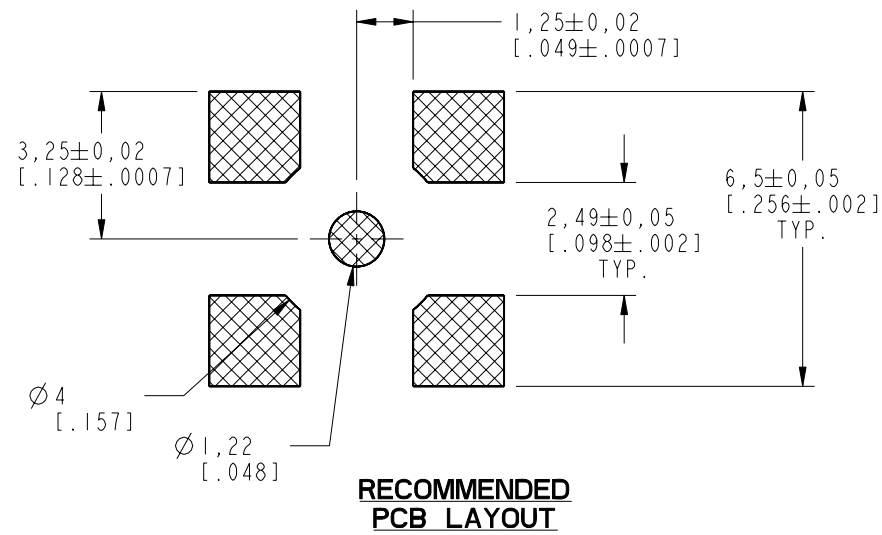


NOTES:

1. MATERIALS AND FINISHES:  
 BODY - BRASS, GOLD PLATING  
 CONTACT - BeCu, GOLD PLATING  
 INSULATOR - PTFE, NATURAL
2. ELECTRICAL:  
 A. IMPEDANCE: 75 OHM  
 B. FREQUENCY RANGE: DC - 6 GHz  
 C. VSWR: 1.30 MAX.  
 D. INSERTION LOSS: 0.10 dB MAX @ 1 GHz.  
 E. DIELECTRIC WITHSTANDING VOLTAGE: 1000 VRMS, MIN.
3. MECHANICAL:  
 A. DURABILITY: 500 CYCLES MIN.  
 B. TEMPERATURE RANGE: -65°C TO +165°C
4. PACKAGING:  
 A. QUANTITY: INDIVIDUALLY PACKAGE IN ANTI-STATIC BAG  
 B. MARKING: BAG OR TAG TO BE MARKED  
 "AMPHENOL RF, 919-132J-71P, YYWW, AND WORK ORDER NUMBER"

THIRD ANGLE PROJ.

REVISIONS				
REV	DESCRIPTION	DATE	ECN	APPR
A	RELEASE TO MFG.	4/13/00	43314	CPM
E	SYNCH THE DRAWING WITH DANBURY	28-Mar-11	48511	RM
F	INSULATOR CAPTIVATION & PCB LAYOUT UPDATED 6.45 WAS 6.35	22-Dec-17	06102	RM



**CUSTOMER OUTLINE DRAWING**  
 ALL OTHER SHEETS ARE FOR INTERNAL USE ONLY

UNLESS OTHERWISE SPECIFIED, DIMENSIONS ARE IN METRIC AND TOLERANCES ARE: <0.5mm ±0.05mm    0.5 - 6mm ±0.1mm    6 - 30mm ±0.2mm    30 - 120mm ±0.3mm    ANGLES ±1°	MATERIAL	DRAWN R. MAO	DATE 15-Dec-17	TITLE 75 OHM MCX STR JACK PCB MOUNT	Amphenol RF www.amphenolrf.com	
	REFERENCE	ENGINEER P. BRENZEL	DATE 15-Dec-17			
	EAR# EAR #	APPROVED S. HSIEH	DATE 22-Dec-17	SCALE: 14.0:1.0 SHEET 2 OF 2	DRAWING NO. 919-132J-71P	
	REF:	CAD FILE		DWG SIZE B	REV F	ITEM NO. 919-132J-71P
	CONFIGURATION LEVEL: In Work					PART NO. 919-132J-71P
FINISH						

NOTICE - These drawings, specifications, or other data (1) are, and remain the property of Amphenol corp. (2) must be returned upon request; and (3) are confidential and not to be disclosed to any person other than those to whom they are given by Amphenol Corp. the furnishing of these drawings, specifications, or other data by Amphenol Corp., or to any other person to anyone for any purpose is not to be regarded by implication or otherwise in any manner licensing, granting rights to permitting such holder or any other person to manufacture, use or sell any product, process or design, patented or otherwise, that may in any way be related to or disclosed by said drawings, specifications, or other data.